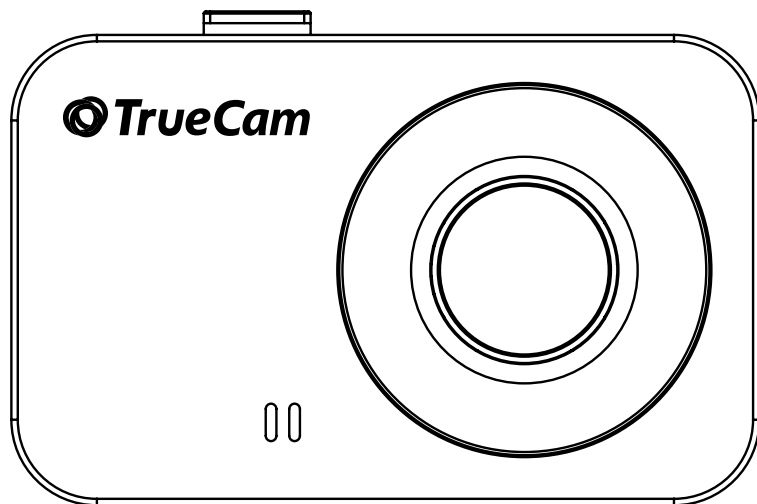


 **TrueCam**

M5 WiFi



EN – User manual

CS – Uživatelská příručka

DE – Benutzerhandbuch

SK – Používateľská príručka

PL – Instrukcja obsługi

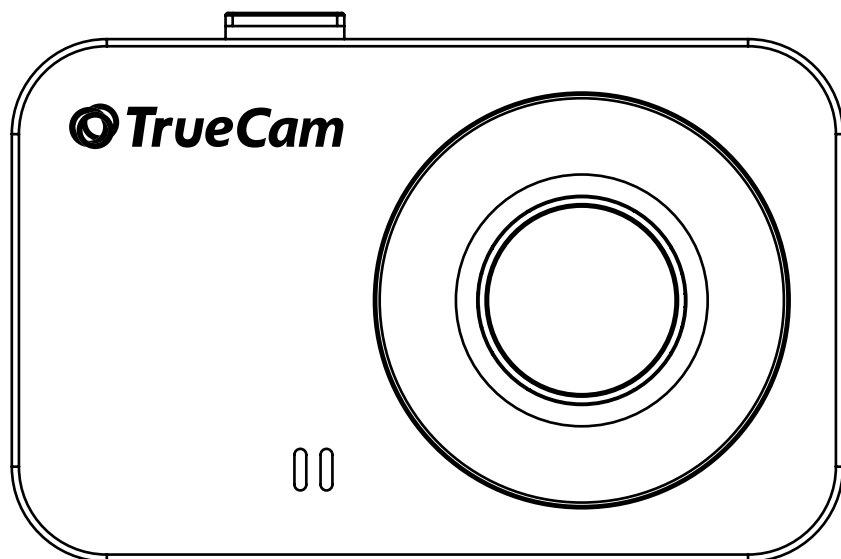
HU – Felhasználói kézikönyv



# M5 WiFi

---

A dashboard camera with WiFi  
and a magnetic design



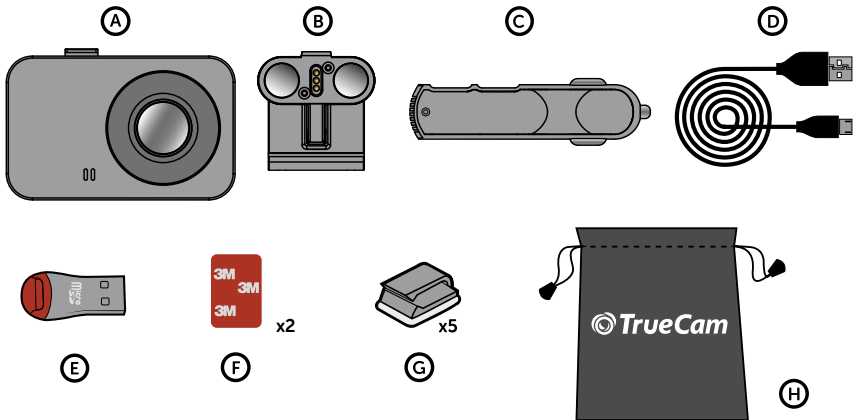
---

# CONTENTS

1. Pack contents .....	2
2. Getting to know the camera.....	3
3. Controls.....	3
4. Icons and display .....	4
5. First usage.....	4
6. Basic features.....	5
7. Placement on glass.....	5
8. WiFi application.....	6
9. Recording onto a PC.....	7
10. Complete settings .....	8
11. Specifications.....	9
12. Safety precautions .....	9

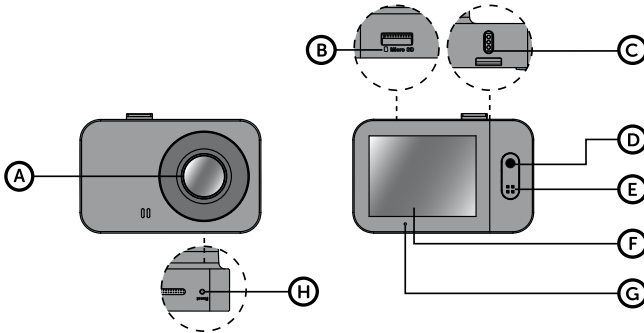
---

## 1. PACK CONTENTS



- (A) TrueCam M5 Wi-Fi Dashcam
- (B) Magnetic holder with 3M adhesive pad
- (C) Cigarette lighter adapter with two USB outputs
- (D) 3-metre micro USB charging cable
- (E) Micro SD/USB adapter to transfer files to PC
- (F) Spare 3M adhesive pads to attach holder to glass (2x)
- (G) 3M adhesive power cable clips (5x)
- (H) Protective carry bag

## 2. GETTING TO KNOW THE CAMERA

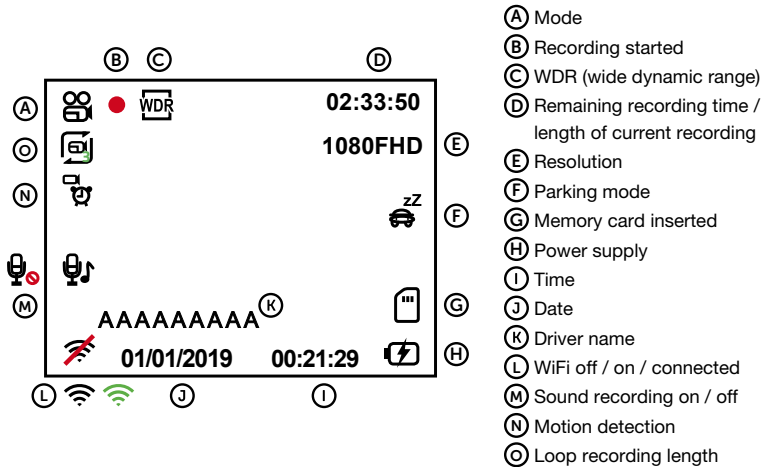


- (A) Wide-angle lens
- (B) Memory card slot
- (C) Magnetic holder input
- (D) OK / POWER button
- (E) MENU / MODE button
- (F) 2.0" display
- (G) Status LED  
(lit = camera on, blinking = recording)
- (H) RESET button

## 3. CONTROLS

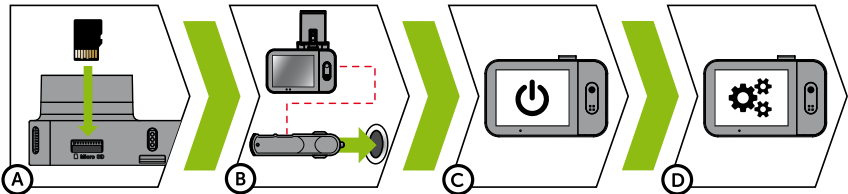
<b>VIDEO MODE</b>	OK / POWER	Press	Start/stop recording
		Hold	Turn camera on/off
	MENU / MODE	Press	Open menu Whilst recording- protect recording
		Hold	Switch mode Whilst recording- mute/unmute audio recording
<b>PHOTO MODE</b>	OK / POWER	Press	Take photo
		Hold	Turn camera on/off
	MENU / MODE	Press	Open menu
		Hold	Switch mode
<b>PLAYBACK MODE</b>	OK / POWER	Press	Start/stop playback End fast playback
		Hold	Turn camera on/off Change playback speed during playback
		Press	Open menu
	MENU / MODE	Hold	Switch mode Return to video selection during playback
<b>MENU</b>		OK / POWER	Press
	Hold		Switch mode menu/camera menu When entering characters- Confirm
	MENU / MODE	Press	Down
		Hold	Back
<b>ANYTIME</b>	RESET	Press with paperclip	Restart camera

## 4. IKONS AND DISPLAY



- (A) Mode
- (B) Recording started
- (C) WDR (wide dynamic range)
- (D) Remaining recording time / length of current recording
- (E) Resolution
- (F) Parking mode
- (G) Memory card inserted
- (H) Power supply
- (I) Time
- (J) Date
- (K) Driver name
- (L) WiFi off / on / connected
- (M) Sound recording on / off
- (N) Motion detection
- (O) Loop recording length

## 5. FIRST USAGE



- (A) Insert the microSD card as shown into the camera (card connectors facing the display)
  - Use Class 10 and higher branded cards up to 64 GB
  - Only remove the card, when the camera is turned off
  - When using the card for the first time, format it directly in the camera and repeat the formatting at least once a month to ensure proper camera operation
- (B) Insert the adapter into the car cigarette lighter and connect it to the camera holder using the USB cable
  - The camera is designed to operate only when connected to a power supply
  - Instead of a battery, the camera contains a supercapacitor that provides power which has several times the lifespan of a conventional battery
- (C) Camera turns on automatically and begins recording
  - For some vehicles, the ignition key must be turned first
- (D) Perform basic camera settings before sticking the holder to the glass
  - For maximum convenience, we recommend using the Wi-Fi application for settings – see section 8

## 6. BASIC FEATURES

### LOOP RECORDING

- Camera automatically splits the video into shorter files and overwrites the oldest unprotected files when the SD card is full
- This means you don't have to worry about free space on the card

### FILE PROTECTION

- To protect the file from being overwritten, press MENU / MODE while recording or select Protect from the playback mode menu

### G-SENSOR

- If the G-Sensor detects an impact, it automatically protects the video currently being captured against being overwritten
- Attention, when the settings are set to high sensitivity and you are driving over uneven surfaces this can cause files to be automatically protected and the filling up of the SD card

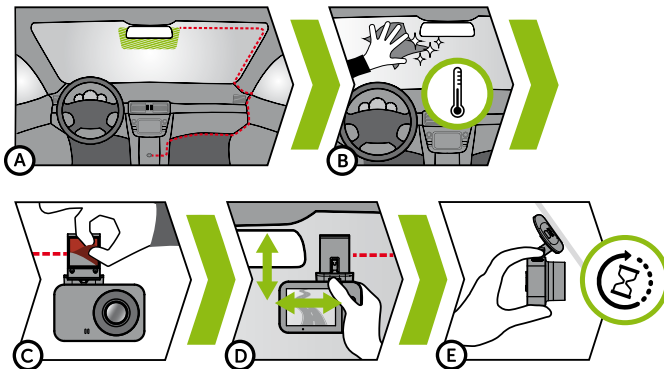
### MOTION DETECTION

- The camera automatically starts recording when it detects movement in the lens field of view and stops recording after about 10 seconds.
- If you stop recording manually or turn off the camera, motion detection is disabled
- The function is for monitoring a parked vehicle, do not use whilst driving
- To use the motion detection function, the camera must be turned on and connected to the power supply

### PARKING MODE

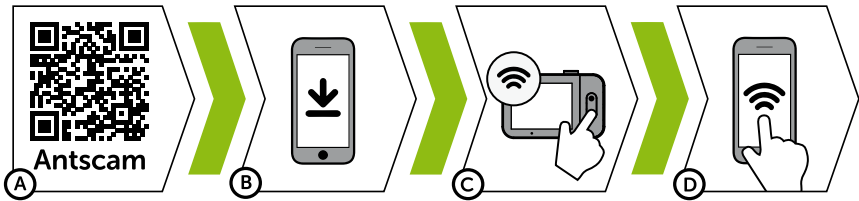
- The camera will start recording automatically when it detects a jolt to the vehicle and if it does not happen again, after about 30 seconds it stops recording and turns off
- To use the parking mode function, the camera should be turned off and connected to the power supply

## 7. PLACEMENT ON GLASS



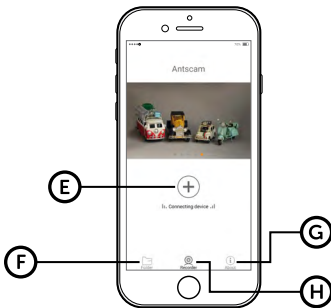
- The ideal place to mount your camera is the space between the windscreen and the rear-view mirror so as not to obstruct the driver's view
- Make sure that the glass is clean and dry at the attachment point
  - The ideal bonding temperature is 20°C - 40°C
- Remove the film from 3M adhesive pad on the camera holder
- Before attaching it to the glass, point the camera to capture best view
- Press the 3M adhesive pad onto the glass and hold it for a while

## 8. WIFI APPLICATION



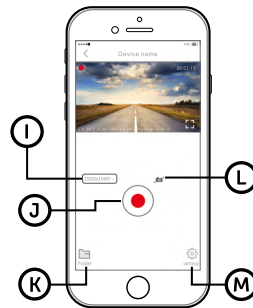
- (A) Scan the QR code or search for Antscam on the App Store/Google Play
- (B) Install the app on your smartphone or tablet
- (C) Turn on Wi-Fi on the camera - Camera menu -> Wi-Fi -> On -> Network Name (SSID) and Password (PWD) will appear on the camera display
- (D) On the phone/tablet, connect to the Wi-Fi network with the camera name, enter the password (factory setting- 12345678), start the Antscam app and click the „+“ button to connect the camera

### ANTSCAM APP CONTROLS:



#### WITHOUT CONNECTION

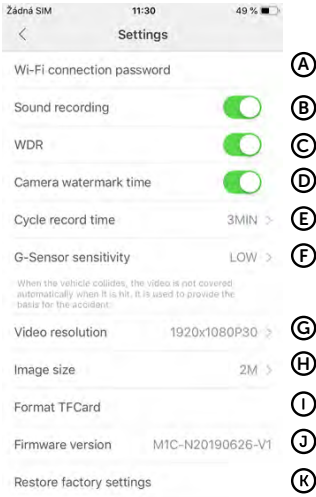
- (E) Connect the camera
- (F) Files dragged to your phone
- (G) Information
- (H) Camera



#### WITH CONNECTION

- (I) Change resolution
- (J) Start/stop recording
- (K) Files in the camera
- (L) Take photo
- (M) Camera settings

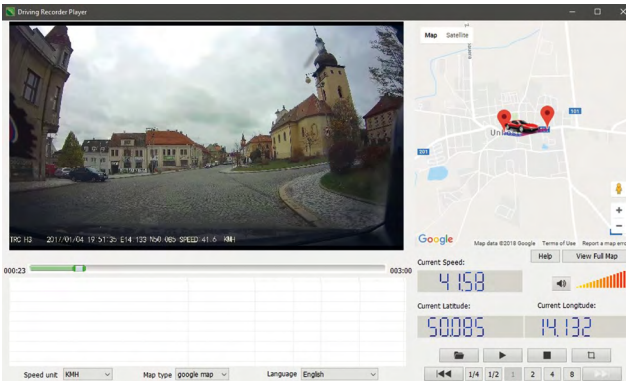
## CAMERA SETTINGS IN ANTSCAM APP



- (A) WiFi password
- (B) Record audio
- (C) WDR (wide dynamic range)
- (D) Date stamp
- (E) Loop recording
- (F) G-sensor sensitivity
- (G) Video resolution
- (H) Photo resolution
- (I) Format memory card
- (J) Firmware version
- (K) Default settings

## 9. RECORDING ONTO A PC

- (A) Remove the Micro SD card when the camera is off and insert it into the computer
  - Depending on the computer equipment, either directly, using a Micro SD/SD adapter or a Micro SD/USB adapter (included)
- (B) Open the removable disk folder and play a file
  - Any regular video player can be used
- (C) Use a special player to play videos, including data, from the optional GPS module
  - At the same time as the video, you can view the speed travelled, the GPS coordinates and directions on the map
  - The app is available at [http://truecam.com/download/M5W\\_player.zip](http://truecam.com/download/M5W_player.zip)





## 10. COMPLETE SETTINGS

<b>SETTINGS</b>	<b>DESCRIPTION</b>
<b>Resolution</b>	Sets the video / photo resolution Higher resolution = more detail and larger file 60 fps = 60 frames per second = smoother video
<b>Loop recording</b>	Sets the length of each loop Longer loop = larger file Loop recording can also be turned off and recording will end if the SD card is full
<b>WDR</b>	When turned on, the camera compensates for luminance when there are very bright and very dark areas in the picture
<b>Brightness</b>	Sets the overall brightness of the recording At the same time, the camera automatically adjusts the brightness of the recording depending on the light
<b>Motion detection</b>	Turns motion detection on / off More about this feature in Section 6
<b>Parking mode</b>	Turns parking mode on / off More about this feature in Section 6
<b>Record audio</b>	Turns the microphone on / off Also possible to switch by holding down the MENU / MODE button while recording
<b>G-Sensor sensitivity</b>	Sets the sensitivity of the G-Sensor More about this feature in Section 6
<b>Date stamp</b>	Displays time and date in video
<b>WiFi</b>	Turns WiFi on / off
<b>Date / time</b>	Sets date and time Hold OK / POWER button = confirm Hold MENU / MODE = cancel The time and date are set automatically when pairing a camera with a smart device via WiFi
<b>Driver name</b>	Sets the text in the video Hold OK / POWER button = confirm Hold MENU / MODE = cancel
<b>Screensaver</b>	The camera continues to record during screen saver Press any key to exit the screen saver
<b>Volume</b>	Adjusts the volume of all camera sounds
<b>System sounds</b>	Turns sound on / off for buttons and on / off status
<b>Language</b>	Sets the camera menu language
<b>Format</b>	Formats data on memory card
<b>Default settings</b>	Sets camera to factory settings
<b>Firmware version</b>	Displays the installed FW version

## 11. SPECIFICATIONS

<b>Video Resolution</b>	Full HD (1920×1080) @ 30 fps HD (1280×720) @ 60 fps HD (1280×720) @ 30 fps
<b>Angle of view</b>	150°
<b>Video format</b>	MP4, H.264
<b>Image resolution</b>	Up to 12 Mpx
<b>Photo format</b>	JPEG
<b>Audio</b>	Built-in microphone that can be muted
<b>LCD display</b>	2" 320×240
<b>Memory</b>	MicroSD up to 64 GB
<b>Connectivity</b>	WiFi
<b>Features</b>	Magnetic holder, WDR, parking mode, motion detection, G-Sensor, loop recording, file protection, auto-start, magnetic GPS module with speed camera detection (optional), magnetic CPL filter (optional)
<b>Menu languages</b>	English, Czech, German, Slovak, Polish, Hungarian
<b>Power supply</b>	Supercapacitor
<b>Dimensions</b>	69 × 45 × 34 mm

## 12. SAFETY PRECAUTIONS

- › Do not operate the camera whilst driving.
- › A film-coated or heated windscreen can reduce recording quality and interfere with the GPS module (optional) signal.
- › Do not expose the camera to extreme temperatures – especially avoid direct sunlight.
- › Make sure that the legislation of the country where you operate the vehicle allows the use of dashcams.
- › To prevent injury, the camera must always be fitted in the holder whilst driving and must not hinder the use of safety features - especially airbags.

### SAFETY PRECAUTIONS

- › Use only the charger supplied with your device. Use of another type of charger may result in malfunction and/or danger.
- › Do not use the charger in high moisture environment. Never touch the charger when your hands or feet are wet.
- › Allow adequate ventilation around the charger when using it to operate the device or to charge the battery. Do not cover the charger with paper or other objects that will reduce cooling. Do not use the charger while it is inside a carrying case.
- › Connect the charger to a proper power source. The voltage requirements are found on the product case and/or on the packaging.
- › Do not use the charger if it is visibly damaged. In case of damage, do not repair the equipment yourself!
- › In case of device overheating, immediately disconnect the power source.
- › Charge the device under supervision only.
- › Packaging contains small pieces, that can be dangerous for children. Store the product always out of reach of children. Bags or many of the pieces containing may cause suffocation after swallowing.

### SAFETY NOTICES FOR POWER SUPPLY

- › For charging only use chargers, that is specified for this camera.
- › Use standard cables for charging, otherwise it could damage the device.

- › Do not use any damaged adapter or charger.
- › Power at room temperature, never charge at a temperature below 0°C or at a temperature higher than 40°C.
- › Do not expose the charger to moisture, water, rain, snow or any kind of various liquids.
- › Never leave the camera unattended during power-up, short-circuiting or accidental overcharging can cause aggressive chemicals to leak, explode, or cause a fire!
- › In the case of excessive heating of the camera, immediately disconnect it from the power supply.
- › Do not place charger on or near flammable objects. Beware of curtains, carpets, tablecloths etc.

### **CARING FOR YOUR DEVICE**

- › Taking good care of your device will ensure trouble-free operation and reduce the risk of damage.
- › Keep your device away from excessive moisture and extreme temperatures and avoid exposing your device to direct sunlight or strong ultraviolet light for extended periods of time.
- › Do not drop your device or subject it to severe shock.
- › Do not subject your device to sudden and severe temperature changes. This could cause moisture condensation inside the unit, which could damage your device. In the event of moisture condensation, allow the device to dry out completely before use.
- › The screen surface can easily be scratched. Avoid touching it with sharp objects.
- › Never clean your device when it is powered on. Use a soft, lint-free cloth to wipe the screen and the exterior of your device. Do not use paper towels to clean the screen.
- › Never attempt to disassemble, repair or make any modifications to your device. Disassembly, modification or any attempt at repair could cause damage to your device and even bodily injury or property damage and will void any warranty.
- › Do not store or carry flammable liquids, gases or explosive materials in the same compartment as your device, its parts or accessories.
- › To discourage theft, do not leave the device and accessories in plain view in an unattended vehicle.
- › Overheating may damage the device.

### **OTHER INFORMATION**

1) For households: This marking indicates that this product should not be disposed with other household wastes throughout the EU. To prevent possible harm to the environment or human health from uncontrolled waste disposal, recycle it responsibly to promote the sustainable reuse of material resources. To return your used device, please use the return and collection systems or contact the retailer where the product was purchased. They can take this product for environmental safe recycling. In case of incorrect disposal of this kind of wastes user can be fined according to national laws. User information for disposal of electric and electronic devices in countries outside the EU: The symbol stated above (crossed recycle bin) is valid only in countries in European Union. For correct disposal of electric and electronic devices ask your city hall or distributor of these devices. Everything is expressed by the symbol of crossed recycle bin on product, cover or printed materials.

2) You can determine a warranty service at the place of purchase. In case of technical problems or queries contact your dealer who will inform you about the following procedure. Follow the rules for work with electric devices. User is not allowed to disassembly the device neither replace any of its components. To reduce the risk of electric shock, do not remove or open the cover. In case of incorrect setup and plug in of device you will expose yourself risk of electric shock.

Products are covered by a two year warranty, unless otherwise stated. The warranty period of the battery is 24 months and 6 months for its capacity.

## **DECLARATION OF CONFORMITY**

Hereby, elem6 s.r.o., declares that all TrueCam M5 products are in compliance with the essential requirements and other relevant provisions of Directive 2014/53/EU and 2014/30/EU. Products are intended for sale without any restriction in Germany, Czech Republic, Slovak Republic, Poland, Hungary and other EU countries. You can download the Declaration of Conformity from the website: [www.truecam.com/support/doc](http://www.truecam.com/support/doc).

- › Frequency band(s) in which the radio equipment operates: 2.400–2.4835 GHz
- › Maximum radio-frequency power transmitted in the frequency band(s) in which the radio equipment operates: 10,2 dBm

## **MANUFACTURER**

elem6 s.r.o., Braškovská 308/15, 16100 Praha 6  
[www.truecam.com](http://www.truecam.com)

TrueCam® brand is a registered trademark and our products are protected by patent.

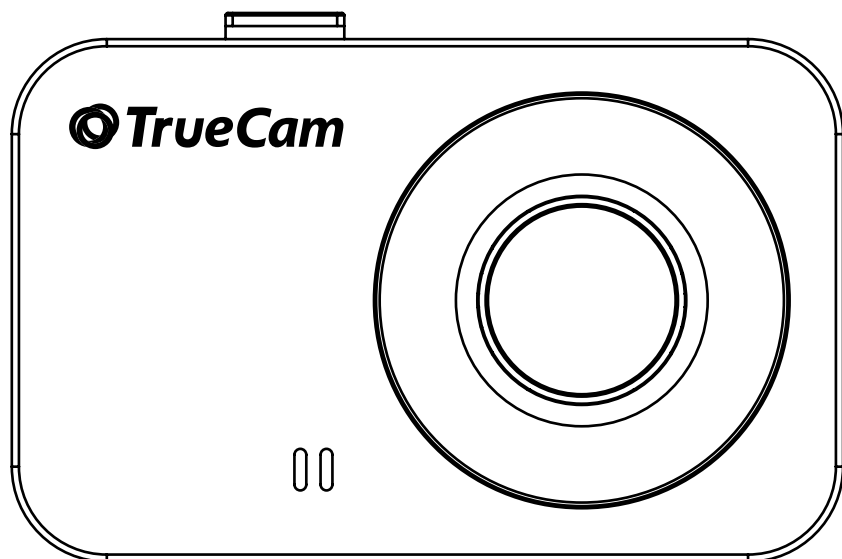
All rights reserved.



# M5 WiFi

---

Autokamera s WiFi  
a magnetickým designem



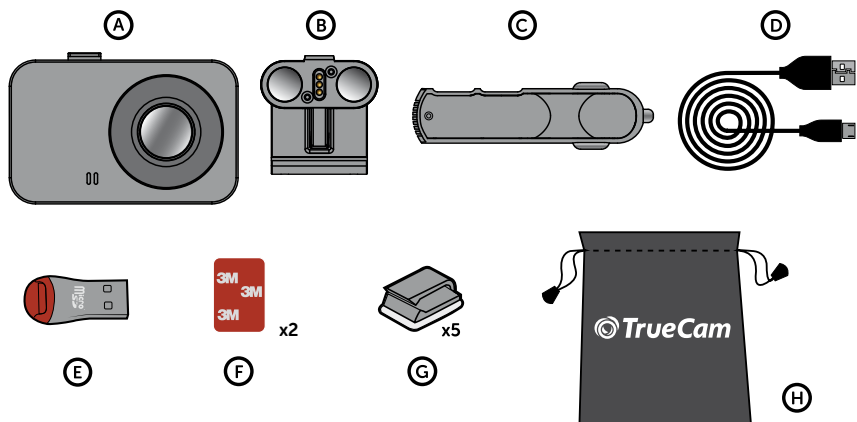
---

## OBSAH

1. Obsah balení .....	2
2. Seznámení s kamerou .....	3
3. Ovládání .....	3
4. Ikony na displeji.....	4
5. První zapnutí.....	4
6. Základní funkce .....	5
7. Umístění na sklo .....	5
8. WiFi aplikace .....	6
9. Přehrávání na PC.....	7
10. Úplné nastavení.....	8
11. Specifikace .....	9
12. Bezpečnostní zásady a upozornění .....	9

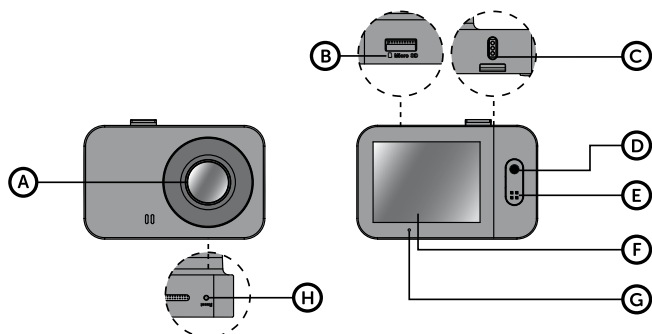
---

### 1. OBSAH BALENÍ



- A**) Autokamera TrueCam M5 WiFi
- B**) Magnetický držák s 3M nálepkou
- C**) Adaptér do autozapalovače se dvěma USB výstupy
- D**) Napájecí microUSB kabel o délce 3 m
- E**) Micro SD/USB adaptér k přenosu souborů do PC
- F**) Náhradní 3M nálepka pro opětovné přilepení držáku na sklo (2x)
- G**) 3M držák pro uchycení napájecího kabelu (5x)
- H**) Ochranný obal pro uschování a přenášení

## 2. SEZNÁMENÍ S KAMEROU

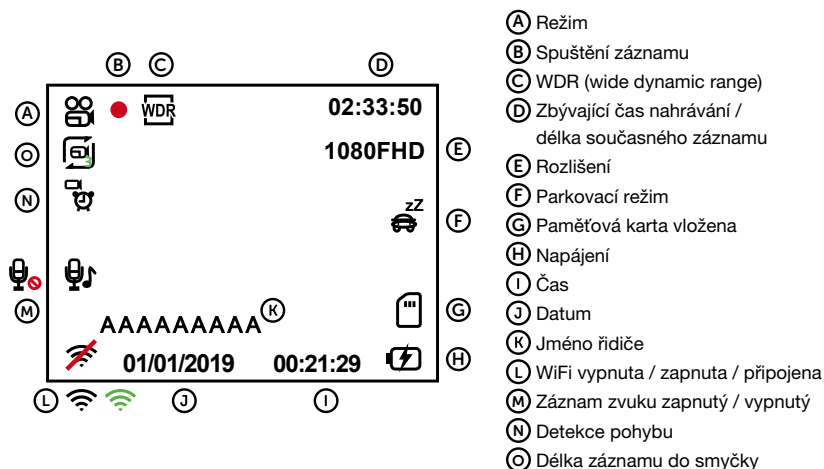


- (A)** Širokoúhlý objektiv
- (B)** Slot pro paměťovou kartu
- (C)** Magnetický vstup držáku
- (D)** Tlačítko OK / POWER
- (E)** Tlačítko MENU / MODE
- (F)** 2.0" displej
- (G)** Stavová dioda  
(svítí = kamera je zapnutá, bliká = nahrávání)
- (H)** Tlačítko RESET

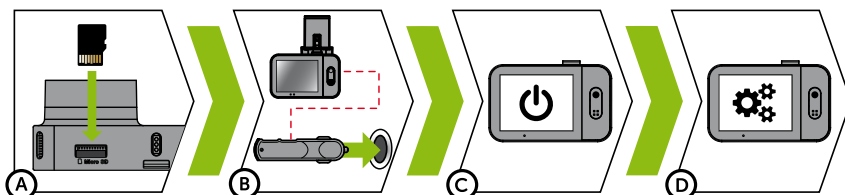
## 3. OVLÁDÁNÍ

<b>REŽIM VIDEO</b>	OK / POWER	Stisknutí Přidržení	Spustit/Ukončit nahrávání Zapnout/Vypnout kameru
	MENU / MODE	Stisknutí	Otevřít menu Při nahrávání ochránit záznam
		Přidržení	Přepnout režim Při nahrávání zapnout/vypnout záznam zvuku
<b>REŽIM FOTO</b>	OK / POWER	Stisknutí Přidržení	Vyfotit Zapnout/Vypnout kameru
	MENU / MODE	Stisknutí	Otevřít menu
		Přidržení	Přepnout režim
<b>REŽIM PŘEHRÁVÁNÍ</b>	OK / POWER	Stisknutí	Spustit/Přerušit přehrávání Ukončit zrychlené přehrávání
		Přidržení	Zapnout/Vypnout kameru Při přehrávání přepnout rychlost přehrávání
	MENU / MODE	Stisknutí Přidržení	Otevřít menu Přepnout režim Při přehrávání návrat na výběr videa
<b>MENU</b>	OK / POWER	Stisknutí	Potvrdit Při zadávání znaků nahoru
		Přidržení	Přepínání menu režimu/menu kamery Při zadávání znaků potvrdit
	MENU / MODE	Stisknutí Přidržení	Dolů Zpět
<b>KDYKOLIV</b>	RESET	Stisknutí sponkou	Restartovat kameru

## 4. IKONY NA DISPLEJI



## 5. PRVNÍ ZAPNUTÍ



- (A)** Vložte microSD kartu dle obrázku na kameře (konektory karty směrem k displeji)
- Používejte značkové karty třídy 10 a vyšší o kapacitě až 64 GB
  - Kartu vyjímajte pouze při vypnuté kameře
  - Kartu při prvním použití zformátujte přímo v kameře a alespoň jednou za měsíc formátování opakujte pro zajištění správného fungování kamery
- (B)** Zapojte adaptér do autozapalovače a pomocí USB kabelu jej připojte s držákem kamery
- Kamera je určena k provozu pouze při připojení k napájení
  - Namísto baterie obsahuje kamera superkondenzátor, který umožňuje napájení a má několikanásobně delší životnost, než klasická baterie
- (C)** Kamera se automaticky zapne a začne nahrávat
- U některých vozidel je nejprve nutné otočit klíčem v zapalování
- (D)** Před nalepením držáku na sklo proveďte základní nastavení kamery
- Pro maximální pohodlí doporučujeme k nastavení použít WiFi aplikaci – viz část 8.



## 6. ZÁKLADNÍ FUNKCE

### ZÁZNAM DO SMYČKY

- Kamera automaticky dělí záznam na kratší video soubory a při zaplnění SD karty začne přepisovat nejstarší nechráněné soubory novými
- Díky tomu se nemusíte starat o volné místo na kartě

### OCHRANA SOUBORŮ

- Chcete-li soubor ochránit proti přepsání, stiskněte tlačítko MENU/MODE v průběhu nahrávání anebo zvolte Chránit v menu Režimu přehrávání

### G-SENZOR

- Pokud G-senzor zaznamená náraz, automaticky ochrání aktuálně pořizované video proti přepsání
- Pozor, při nastavení vysoké citlivosti a jízdě po nerovném povrchu může dojít k samovolnému chránění souborů a úplnému zaplnění SD karty

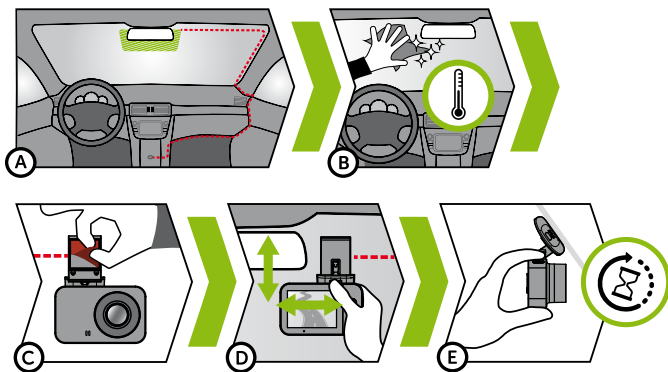
### DETEKCE POHYBU

- Kamera začne automaticky nahrávat, když zaznamená pohyb v zorném poli objektivu a pokud pohyb ustane, tak po cca 10 vteřinách záznam ukončí
- Pokud záznam ukončíte ručně nebo kameru vypnete, detekce pohybu se deaktivuje
- Funkce slouží k monitorování zaparkovaného vozidla, nepoužívejte za jízdy
- Pro použití funkce Detekce pohybu musí být kamera zapnutá a v napájení

### PARKOVACÍ REŽIM

- Kamera začne automaticky nahrávat, když zaznamená ořes vozidla a pokud se pohyb neopakuje, tak po cca 30 vteřinách záznam ukončí a vypne se
- Pro použití funkce Parkovací režim musí být kamera vypnutá a v napájení

## 7. UMÍSTĚNÍ NA SKLO



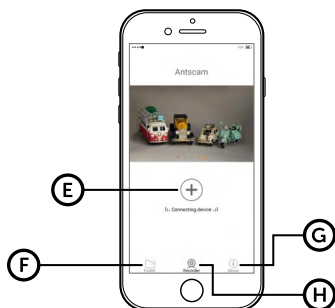
- A** Ideálním místem pro připevnění autokamery je prostor mezi čelním sklem a zpětným zrcátkem tak, aby nepřekážela řidiči ve výhledu
- B** Ujistěte se, že sklo je v místě uchycení čisté a suché
  - Ideální teplota pro lepení je 20°C – 40°C
- C** Sundejte folii z 3M nálepky na držáku kamery
- D** Před přilepením na sklo nasměrujte zapnutou kameru tak, aby měla správný výhled
- E** Přitlačte 3M nálepku na sklo a chvíli držte

## 8. WIFI APLIKACE



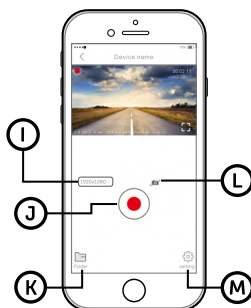
- (A) Načtete QR kód nebo vyhledejte aplikaci Antscam na App Store/Google Play
- (B) Nainstalujete aplikaci do svého chytrého telefonu nebo tabletu
- (C) Zapnete WiFi v kameře – menu kamery -> WiFi -> Zapnout -> na displeji kamery se zobrazí název sítě (SSID) a heslo (PWD)
- (D) Na telefonu/tabletu se připojíte na WiFi síť s názvem kamery, zadejete heslo (z výroby 12345678), spusťte aplikaci Antscam a klikněte na tlačítko „+“ pro připojení kamery

### OVLÁDÁNÍ APLIKACE ANTSCAM:



#### BEZ PŘIPOJENÍ

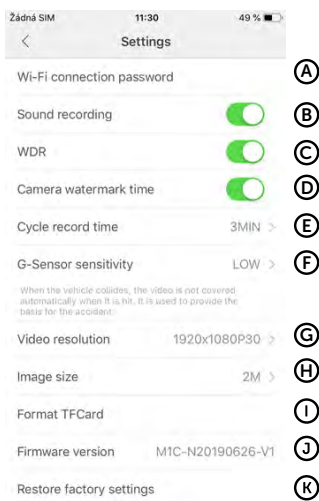
- (E) Připojit kameru
- (F) Soubory přetažené do telefonu
- (G) Informace
- (H) Kamera



#### PO PŘIPOJENÍ

- (I) Nastavení rozlišení
- (J) Spustit/Ukončit nahrávání
- (K) Soubory v kameře
- (L) Vyfotit
- (M) Nastavení kamery

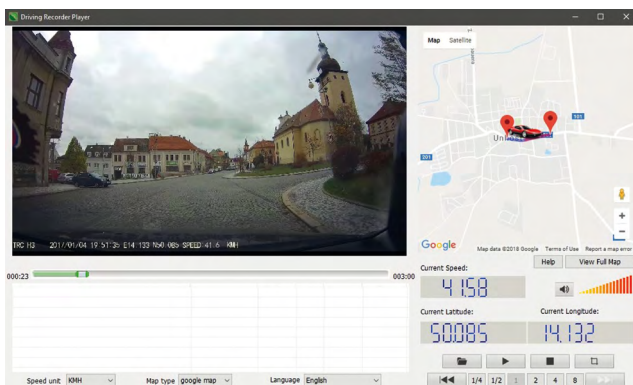
## NASTAVENÍ KAMERY V APLIKACI ANTSCAM



- (A) WiFi heslo
- (B) Záznam zvuku
- (C) WDR (wide dynamic range)
- (D) Časová známka
- (E) Záznam do smyčky
- (F) Citlivost G-senzoru
- (G) Rozlišení videa
- (H) Rozlišení fotografie
- (I) Formátovat kartu
- (J) Verze firmware
- (K) Tovární nastavení

## 9. PŘEHŘÁVÁNÍ NA PC

- (A) Vyměňte Micro SD kartu z vypnuté kamery a vložte ji do počítače
  - V závislosti na vybavení počítače buďte přímo, pomocí Micro SD/SD adaptéru nebo Micro SD/USB adaptéru (součást balení)
- (B) Otevřete složku vyměnitelného disku a přehrajte libovolný soubor
  - Můžete použít jakýkoliv běžný přehrávač videa
- (C) Pro přehrávání videí včetně dat z doplňkově prodejného GPS modulu použijte speciální přehrávač
  - Zároveň s videem je možné sledovat údaje o rychlosti, GPS souřadnicích a trasu na mapě
  - Aplikace je dostupná na adrese [http://truecam.com/download/M5W\\_player.zip](http://truecam.com/download/M5W_player.zip)



## 10. ÚPLNÉ NASTAVENÍ

<b>NASTAVENÍ</b>	<b>POPIS</b>
<b>Rozlišení</b>	Nastaví rozlišení videa / fotografie Vyšší rozlišení = více detailů a větší soubor 60 fps = 60 snímků za vteřinu = plynulejší video
<b>Záznam do smyčky</b>	Nastaví délku jednotlivých smyček Delší smyčka = větší soubor Záznam do smyčky je také možné vypnout a v případě zaplnění SD karty se záznam ukončí
<b>WDR</b>	Při zapnutí kamera vyrovnává světelnost, pokud jsou v obraze zároveň velmi světlé a velmi tmavé plochy
<b>Jas</b>	Nastaví celkovou světlost záznamu Kamera zároveň automaticky reguluje jas záznamu podle světelných podmínek
<b>Detekce pohybu</b>	Zapne / vypne detekce pohybu Více informací o této funkci v kapitole 6
<b>Parkovací režim</b>	Zapne / vypne parkovací režim Více informací o této funkci v kapitole 6
<b>Záznam zvuku</b>	Zapne / vypne mikrofon Je také možné přepínat přidržím tlačítka MENU / MODE při nahrávání
<b>Citlivost G-Senzoru</b>	Nastaví citlivost G-Senzoru Více informací o této funkci v kapitole 6
<b>Časová známka</b>	Zobrazí čas a datum ve videu
<b>WiFi</b>	Zapne / Vypne WiFi
<b>Datum / čas</b>	Nastaví datum a čas Přidržení tlačítka OK / POWER = potvrdit Přidržení tlačítka MENU / MODE = zrušit Při spárování kamery s chytrým zařízením přes WiFi se čas a datum nastaví automaticky
<b>Jméno řidiče</b>	Nastaví libovolný text ve videu Přidržení tlačítka OK / POWER = potvrdit Přidržení tlačítka MENU / MODE = zrušit
<b>Spořič obrazovky</b>	Při spořiči obrazovky kamera nadále nahrává Spořič ukončíte stisknutím libovolného tlačítka
<b>Hlasitost</b>	Nastaví hlasitost všech zvuků kamery
<b>Systémové zvuky</b>	Zapne / vypne zvuk tlačítek a zapnutí / vypnutí
<b>Jazyk</b>	Nastaví jazyk menu kamery
<b>Formátovat</b>	Formátuje data na paměťové kartě
<b>Tovární nastavení</b>	Nastaví kameru do továrního nastavení
<b>Verze firmwaru</b>	Zobrazí nainstalovanou verzi FW

## 11. SPECIFIKACE

<b>Rozlišení videa</b>	Full HD (1920×1080) @ 30 fps HD (1280×720) @ 60 fps HD (1280×720) @ 30 fps
<b>Úhel záběru</b>	150°
<b>Formát videa</b>	MP4, komprese H.264
<b>Rozlišení fotografie</b>	Až 12 Mpx
<b>Formát fotografie</b>	JPEG
<b>Zvuk</b>	Vestavěný mikrofon s možností vypnutí
<b>LCD displej</b>	2" 320×240
<b>Paměť</b>	Micro SD až 64 GB
<b>Konektivita</b>	WiFi
<b>Funkce</b>	Magnetický držák, WDR, parkovací režim, detekce pohybu, G-senzor, záznam do smyčky, ochrana souborů, automatické spuštění, magnetický GPS modul s detekcí radarů (doplňkově), magnetický CPL filtr (doplňkově)
<b>Jazyky menu</b>	Čeština, Angličtina, Němčina, Slovenština, Polština, Maďarština
<b>Napájení</b>	Superkondenzátor
<b>Rozměry</b>	69 × 45 × 34 mm

## 12. BEZPEČNOSTNÍ ZÁSADY A UPOZORNĚNÍ

- › Neovládejte kameru při řízení.
- › Čelní sklo potažené jakoukoliv fólií a vyhřívané sklo mohou omezovat kvalitu záznamu a signál GPS modulu (volitelné).
- › Nevystavujte kameru extrémním teplotám – zejména dlouhou dobu na přímém slunci.
- › Ujistěte se, že legislativa státu, kde provozujete vozidlo, umožňuje používání záznamových kamer.
- › Pro předcházení zranění musí být kamera za jízdy vždy uchycena v držáku a nesmí blokovat cestu bezpečnostních prvků – zejména airbagů.

### BEZPEČNOSTNÍ ZÁSADY

- › Používejte pouze nabíječku dodávanou s přístrojem. Při použití jiného typu nabíječky může dojít k poruše přístroje anebo může vzniknout jiné nebezpečí.
- › Nepoužívejte nabíječku ve vysoce vlhkém prostředí. Nikdy se nabíječky nedotýkejte mokryma rukama nebo stojíte-li ve vodě.
- › Při napájení přístroje nebo nabíjení baterie ponechte kolem nabíječky dostatečný prostor pro cirkulaci vzduchu. Nepřikrývejte nabíječku papíry ani jinými předměty, které by mohly zhoršit její chlazení. Nepoužívejte nabíječku uloženou v transportním obalu.
- › Nabíječku připojujte ke správnému zdroji napětí. Údaje o napětí jsou uvedeny na plášti výrobku anebo na jeho obalu.
- › Nepoužívejte nabíječku, je-li zjevně poškozena. V případě poškození zařízení sami neopravujte!
- › V případě nadměrného zahřívání přístroj okamžitě odpojte od přívodu energie.
- › Nabíjejte zařízení pod dohledem.
- › Balení obsahuje malé dílky, které mohou být nebezpečné pro děti. Produkt vždy ukládejte mimo dosah dětí. Sáčky nebo mnoho dílků, které obsahují, mohou po spolknutí nebo po nasazení na hlavu způsobit udušení.

### BEZPEČNOSTNÍ UPOZORNĚNÍ PRO NAPÁJENÍ

- › Pro nabíjení používejte jen nabíječku, která je pro tuto kameru určena.
- › Používejte standardní kabely pro nabíjení, jinak by mohlo dojít k poškození zařízení.

- › Nepoužívejte jakkoliv poškozený síťový adaptér nebo nabíječku.
- › Napájení provádějte za pokojové teploty, nikdy nenabíjejte při teplotě nižší než 0°C nebo při teplotě vyšší než 40°C.
- › Nevystavujte nabíječku působení vlhkosti, vody, dešti, sněhu nebo různým nástrůvkům.
- › Během napájení neponechávejte kameru nikdy bez dohledu, zkrat nebo náhodné přebití může způsobit únik agresivních chemikálií, explozi nebo následný požár!
- › V případě, že při napájení kamery dochází k jejímu nadměrnému ohřívání, nabíječku okamžitě odpojte.
- › Nabíječku neumísťujte při nabíjení na nebo do blízkosti hořlavých předmětů. Pozor na záclony, koberce, ubrusy atd.

## ÚDRŽBA PŘÍSTROJE

- › Dobrá údržba tohoto přístroje zajistí bezproblémový provoz a omezí nebezpečí poškození.
- › Uchovávejte přístroj mimo extrémní vlhkost a teploty a nevystavujte přístroj dlouhodobě přímému slunečnímu nebo ultrafialovému záření.
- › Zabraňte pádu přístroje ani jej nevystavujte silným nárazům.
- › Nevystavujte přístroj náhlým a prudkým změnám teplot. Mohlo by to způsobit kondenzování vlhkosti uvnitř zařízení, což by mohlo přístroj poškodit. V případě, kdy dojde ke kondenzaci vlhkosti, před dalším používáním nechte přístroj dokonale vyschnout.
- › Povrch displeje se může snadno poškrábat. Nedotýkejte se jej ostrými předměty.
- › Zásadně nečistěte přístroj, když je zapnutý. K čištění displeje a vnějšího povrchu přístroje používejte měkký netřepivý hadřík. Nečistěte displej papírovými utěrkami.
- › Zásadně se nepokoušejte přístroj rozebrat, opravovat nebo jakkoli upravovat. V případě demontáže, úprav nebo jakéhokoli pokusu o opravu dochází k propadnutí záruky a může dojít k poškození přístroje či dokonce ke zranění nebo škodám na majetku.
- › Neskladujte ani nepřevázejte hořlavé kapaliny, plyny nebo výbušné materiály pohromadě s přístrojem, jeho částmi nebo doplňky.
- › Aby se zabránilo krádeži, nenechávejte přístroj a příslušenství na viditelném místě ve vozidle bez dozoru.
- › Přehřátí může přístroj poškodit.

## DALŠÍ INFORMACE

1) Pro domácnosti: Uvedený symbol (přeškrtnutý koš) na výrobku nebo v průvodní dokumentaci znamená, že použité elektrické nebo elektronické výrobky nesmí být likvidovány společně s komunálním odpadem. Za účelem správné likvidace výrobku jej odevzdejte na určených sběrných místech, kde budou přijata zdarma. Správnou likvidaci tohoto produktu pomůžete zachovat cenné přírodní zdroje a napomáháte prevenci potenciálních negativních dopadů na životní prostředí a lidské zdraví, což by mohly být důsledky nesprávné likvidace odpadů. Další podrobnosti si vyžádejte od místního úřadu nebo nejbližšího sběrného místa. Při nesprávné likvidaci tohoto druhu odpadu mohou být v souladu s národními předpisy uděleny pokuty. Informace pro uživatele k likvidaci elektrických a elektronických zařízení (firemní a podnikové použití): Pro správnou likvidaci elektrických a elektronických zařízení si vyžádejte podrobné informace u Vašeho prodejce nebo dodavatele. Informace pro uživatele k likvidaci elektrických a elektronických zařízení v ostatních zemích mimo Evropskou unii: Výše uvedený symbol (přeškrtnutý koš) je platný pouze v zemích Evropské unie. Pro správnou likvidaci elektrických a elektronických zařízení si vyžádejte podrobné informace u Vašich úřadů nebo prodejce zařízení. Vše vyjadřuje symbol přeškrtnutého kontejneru na výrobku, obalu nebo čistěných materiálech.

2) Záruční opravy zařízení uplatňujte u svého prodejce. V případě technických problémů a dotazů kontaktujte svého prodejce, který Vás bude informovat o dalším postupu. Dodržujte pravidla pro práci s elektrickými zařízeními. Uživatel není oprávněn rozebrat zařízení ani vyměňovat žádnou jeho součást. Při otevření nebo odstranění krytů hrozí riziko úrazu elektrickým proudem. Při nesprávném sestavení zařízení a jeho opětovném zapojení se rovněž vystavujete riziku úrazu elektrickým proudem.

Záruční lhůta je na produkty 24 měsíců, pokud není stanovena jinak. Záruka se nevztahuje na poškození způsobené nestandardním používáním, mechanickým poškozením, vystavením agresivním podmínkám, zacházením v rozporu s manuálem a běžným opotřebením. Záruční doba na baterii je 24 měsíců, na její kapacitu 6 měsíců.

Výrobce, dovozce ani distributor nenesou žádnou odpovědnost za jakékoliv škody způsobené montáží nebo nesprávným užíváním produktu.

### **PROHLÁŠENÍ O SHODĚ**

Společnost elem6 s.r.o. tímto prohlašuje, že všechna zařízení TrueCam M5 jsou ve shodě se základními požadavky a dalšími příslušnými ustanoveními směrnice 2014/53/EU a 2014/30/EU. Produkty jsou určeny pro prodej bez omezení v Německu, České republice, Slovensku, Polsku, Maďarsku a v dalších členských zemích EU. Záruční lhůta je na produkty 24 měsíců, pokud není stanovena jinak. Prohlášení o shodě lze stáhnout z webu [www.truecam.com/support/doc](http://www.truecam.com/support/doc).

- › Kmitočtové pásmo, v němž rádiové zařízení pracuje: 2.400–2.4835 GHz
- › Maximální radiofrekvenční výkon vysílaný v kmitočtovém pásmu, v němž je rádiové zařízení provozováno: 10,2 dBm

### **VÝROBCE**

elem6 s.r.o., Braškovská 308/15, 16100 Praha 6  
[www.truecam.com](http://www.truecam.com)

Značka TrueCam® je registrovanou ochrannou známkou a její výrobky jsou chráněny průmyslovým vzorem.

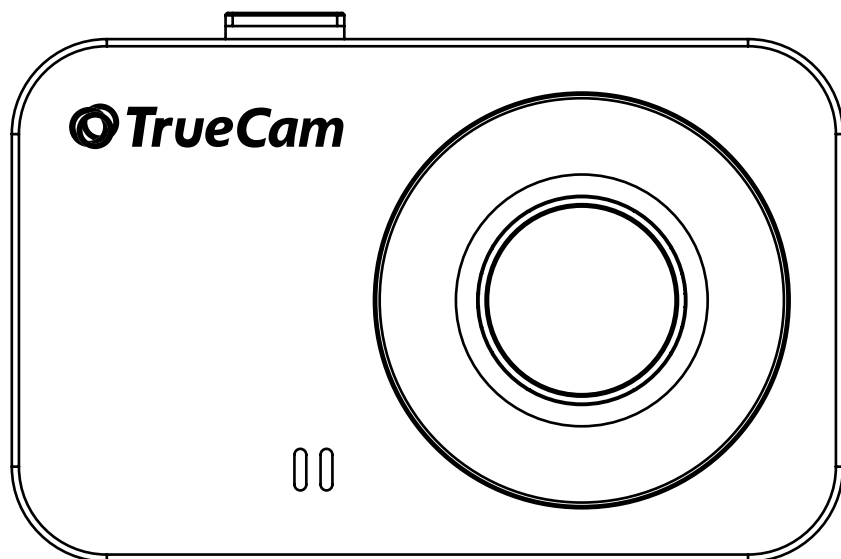
Všechna práva vyhrazena.



# M5 WiFi

---

Autokamera mit WiFi  
und Magnethalterung





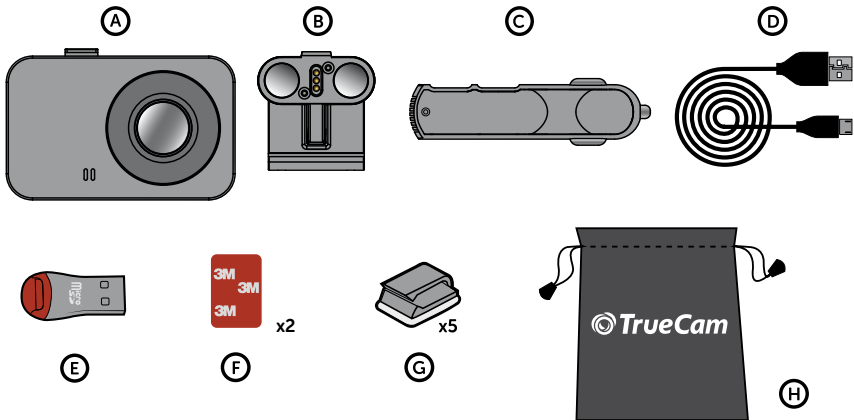
---

# INHALT

1. Packungsinhalt .....	2
2. Kennenlernen der Kamera .....	3
3. Bedienung .....	3
4. Symbole auf dem Display .....	4
5. Erste Inbetriebnahme .....	4
6. Hauptfunktionen .....	5
7. Anbringung auf dem Glas .....	5
8. WiFi App .....	6
9. Abspielen auf einem PC .....	7
10. Vollständige Einstellungen .....	8
11. Spezifikationen .....	9
12. Sicherheitsgrundsätze und Hinweise .....	9

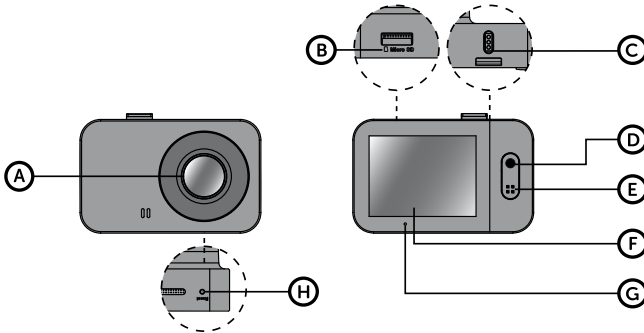
---

## 1. PACKUNGSIHALT



- (A) Autokamera TrueCam M5 WiFi
- (B) Magnethalterung mit 3M Klebepad
- (C) Adapter für den Zigarettenanzünder mit zwei USB-Ausgängen
- (D) Micro USB-Kabel mit einer Länge von 3 m
- (E) Micro SD/USB Adapter für die Dateübertragung in den PC
- (F) 3M Klebepad-Ersatz für das erneute Ankleben der Magnethalterung auf das Glas (2x)
- (G) 3M Halterung für die Befestigung des Stromversorgungskabels (5x)
- (H) Schutzverpackung für die Aufbewahrung und den Transport

## 2. KENNENLERNEN DER KAMERA

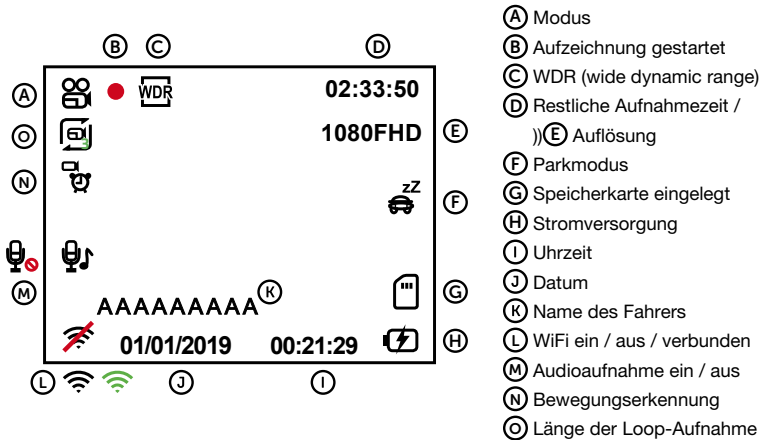


- (A) Weitwinkelobjektiv
- (B) Speicherkarten Slot
- (C) Magnetischer Eingang sder Magnethalterung
- (D) OK Taste / POWER Taste
- (E) MENÜ Taste / MODE Taste
- (F) 2.0" Display
- (G) Status Diode (leuchtet = Kamera ist angeschaltet, blinkt Aufzeichnung)
- (H) RESET Taste

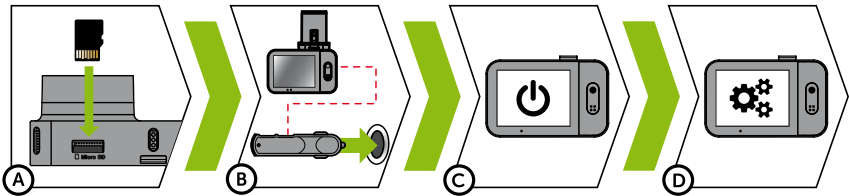
## 3. BEDIENUNG

<b>AUFNAHME-MODUS</b>	OK / POWER	Drücken	Starten / beenden der Aufnahme
		Gedrückt halten	Anschalten / Ausschalten der Kamera
	MENU / MODE	Drücken	Öffnen des Menüs Bei der Aufnahme die Aufnahme beenden
		Gedrückt halten	Modus umschalten Bei der Aufnahme anschalten / ausschalten Aufnahme des Tons
<b>MODUS FOTO-GRAFIEREN</b>	OK / POWER	Drücken	Fotografieren
		Gedrückt halten	Anschalten / Ausschalten der Kamera
	MENU / MODE	Drücken	Menü öffnen
		Gedrückt halten	Modus umschalten
<b>WIEDERGABE-MODUS</b>	OK / POWER	Drücken	Starten / Unterbrechen der Wiedergabe Beenden der Schnell-Wiedergabe
		Gedrückt halten	Anschalten / Ausschalten der Kamera Bei der Wiedergabe die Geschwindigkeit der Wiedergabe umschalten
	MENU / MODE	Drücken	Menü öffnen
		Gedrückt halten	Modus umschalten Bei der Wiedergabe zur Video-Option zurückkehren
<b>MENU</b>	OK / POWER	Drücken	Bestätigen Bei der Eingabe der Zeichen nach oben
		Gedrückt halten	Umschalten des Modus MENÜ / Menü Kamera Bei der Eingabe der Zeichen bestätigen
	MENU / MODE	Drücken	Nach unten
		Gedrückt halten	Zurück
<b>JEDERZEIT</b>	RESET	Mit der Klammer drücken	Kamera erneut starten

## 4. SYMBOLE AUF DEM DISPLAY



## 5. ERSTE INBETRIEBNAHME



- Legen Sie die Micro SD Karte wie auf der Abbildung auf die Kamera (die Anschlüsse der Karte in Richtung zum Display)
  - Verwenden Sie Marken-Karten der Klasse 10 und höher mit einer Kapazität bis zu 64 GB
  - Nehmen Sie die Karte nur heraus, wenn die Kamera ausgeschaltet ist
  - Formatieren Sie die Karte vor der ersten Verwendung in der Kamera und wiederholen Sie das Formatieren mindestens einmal im Monat, damit dafür gesorgt ist, dass die Kamera richtig funktioniert
- Schließen Sie den Adapter an den Zigarettenanzünder und schließen Sie ihn mit dem USB-Kabel an der Magnethalterung der Kamera an
  - Die Kamera ist nur für den Betrieb bestimmt, wenn sie an die Stromversorgung angeschlossen ist
  - Anstelle einer Batterie enthält die Kamera einen Superkondensator, der das Laden ermöglicht und eine vielfach längere Lebensdauer hat als klassische Batterien
- Die Kamera schaltet sich automatisch an und beginnt aufzuzeichnen
  - Bei manchen Fahrzeugen ist es zuerst notwendig, den Schlüssel in der Zündung umzudrehen
- Vor dem Ankleben der Magnethalterung auf das Glas, führen Sie die Grundeinstellungen der Kamera durch
  - Für die beste leichte Bedienbarkeit empfehlen wir, für die Einstellungen die WiFi-App zu verwenden – siehe Abschnitt 8

## 6. HAUPTFUNKTIONEN

### AUFNAHME VON SCHLEIFEN

- Die Kamera teilt automatisch die Aufzeichnung in kürzere Video-Dateien und beim Belegen der SD Karte beginnt sie die älteren ungeschützten Dateien neu zu überschreiben
- Dank dessen müssen Sie sich nicht um freien Speicherplatz auf der Karte kümmern

### SCHUTZ DER DATEIEN

- Falls Sie eine Datei vor dem Überschreiben schützen möchten, drücken Sie die Taste MENÜ / MODE im Verlauf der Aufzeichnung oder wählen Sie Schützen im Menü des Aufzeichnungsmodus

### G-SENSOR

- Falls der G-Sensor einen Stoß verzeichnet, so schützt er automatisch das gerade bereitgestellte Video vor dem Überschreiben
- Vorsicht, bei der Einstellung einer hohen Empfindlichkeit und bei der Fahrt über eine unebene Oberfläche können die Dateien selbsttätig geschützt und die SD Karte vollständig belegt werden

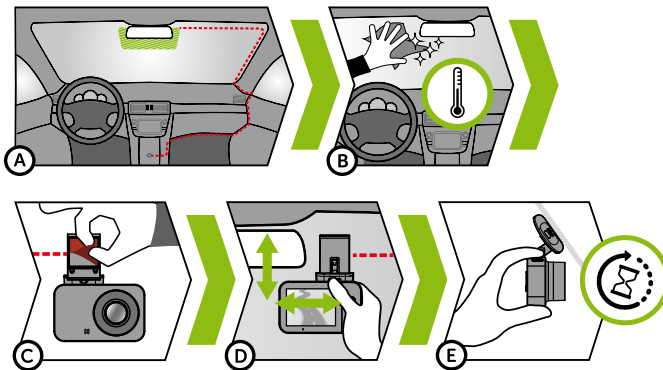
### BEWEGUNGSMELDER

- Die Kamera beginnt automatisch aufzuzeichnen, wenn sie eine Bewegung in dem Sichtfeld des Objektivs wahrnimmt und falls eine Bewegung stattfindet, so ist nach etwa 10 Sekunden die Aufzeichnung beendet
- Falls Sie die Aufzeichnung manuell beenden oder die Kamera ausschalten, wird Bewegungsmelder der Bewegung deaktiviert
- Die Funktion dient der Aufzeichnung von parkenden Fahrzeugen, verwenden Sie sie nicht während der Fahrt
- Wenn Sie die Funktion Bewegungsmelder verwenden möchten, muss die Kamera eingeschaltet sein und geladen werden

### PARKMODUS

- Die Kamera beginnt automatisch aufzuzeichnen, wenn sie eine Erschütterung des Fahrzeugs erkennt und die Bewegung nicht wiederholt, so etwas nach 30 Sekunden wird die Aufzeichnung beendet und sie schaltet sich aus
- Wenn Sie die Funktion Parkmodus verwenden möchten, muss die Kamera ausgeschaltet sein und geladen werden

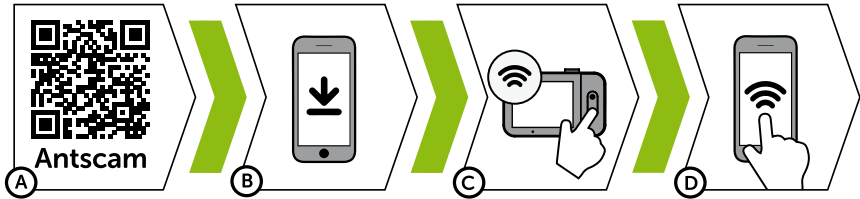
## 7. ANBRINGUNG AUF DEM GLAS



- (A) Die ideale Stelle für die Befestigung der Autokamera ist der Bereich zwischen der Frontscheibe und dem Rückspiegel, so, damit sie dem Fahrer nicht die Sicht behindert

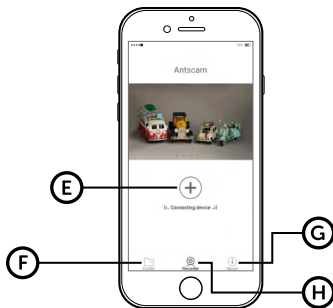
- Ⓑ Achten Sie darauf, dass das Glas an der Befestigungsstelle sauber und trocken ist
  - Die ideale Temperatur für die Befestigung sind 20°C - 40°C
- Ⓒ Nehmen Sie die Folie von den 3M Klebepads auf der Magnethalterung der Kamera
- Ⓓ Vor dem Bekleben des Glases richten Sie die angeschaltete Autokamera so aus, dass sie die richtige Sicht hat
- Ⓔ Drücken Sie die 3M Klebepads auf das Glas und drücken Sie sie eine Weile an

## 8. WIFI APP



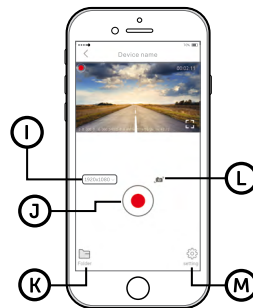
- Ⓐ Lesen Sie den QR-Code ein oder suchen Sie die App Antscam im App Store / auf Google Play
- Ⓑ Installieren Sie die App auf Ihrem Smartphone oder Ihrem Tablet
- Ⓒ Schalten Sie WiFi an der Autokamera ein – Menü Kamera -> WiFi -> Anschalten -> auf dem Display der Autokamera erscheinen die Netzwerkbezeichnung (SSID) und das Passwort
- Ⓓ Auf dem Smartphone / Tablet schalten Sie das WiFi-Netz mit der Kamerabezeichnung an, geben das Passwort ein (Werkseinstellung 12345678), starten die App Antscam und klicken auf die Taste „+“, um die Kamera anzuschließen

### BEDIENUNG DER APP ANTSCAM:



#### OHNE ANSCHLUSS

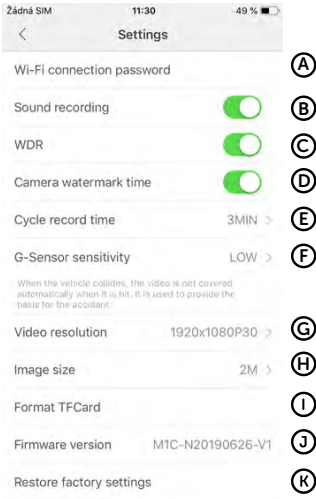
- Ⓔ Anschluss der Kamera
- Ⓕ Dateien auf das Smartphone übertragen
- Ⓖ Informationen
- Ⓗ Autokamera



#### NACH DEM ANSCHLUSS

- Ⓘ Einstellung der Auflösung
- Ⓙ Starten / Beenden der Aufzeichnung
- Ⓚ Dateien in der Autokamera
- Ⓛ Fotografieren
- Ⓜ Einstellungen der Autokamera

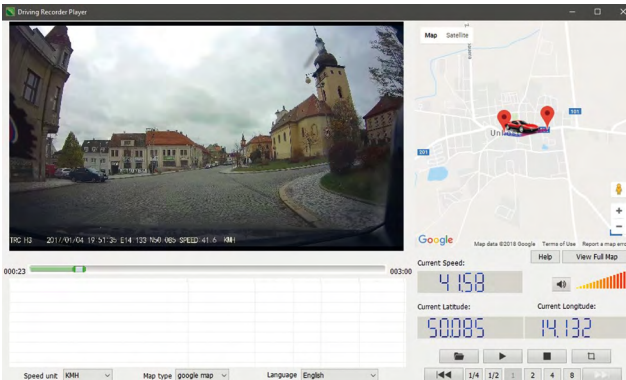
## EINSTELLUNG DER KAMERA IN DER ANTSCAM APPLIKATION



- (A) WiFi Passwort
- (B) Audioaufnahme
- (C) WDR (wide dynamic range)
- (D) Datumsanzeige
- (E) Loop-Aufnahme
- (F) G-Sensor- Empfindlichkeit
- (G) Videoauflösung
- (H) Fotoauflösung
- (I) Karte formatieren
- (J) Firmwareversion
- (K) Fabrikeseinstellung

## 9. ABSPIELEN AUF EINEM PC

- (A) Entnehmen Sie die Micro SD Karte aus der ausgeschalteten Kamera und schieben Sie sie in den Computer ein
  - Abhängig von der Ausstattung des Computers entweder direkt, mittels einem Micro SD/SD Adapter oder einem Micro SD/USB Adapter (im Lieferumfang enthalten)
- (B) Öffnen Sie das Verzeichnis des Datenträgers und spielen Sie eine beliebige Datei ab
  - Sie können jeden gebräuchlichen Videoplayer verwenden
- (C) Zum Abspielen der Videos samt den Daten aus dem optionalen GPS Modul verwenden Sie einen speziellen Player
  - Zusammen mit dem Video können Sie die Angaben über die Geschwindigkeit, die GPS Daten und die Strecke auf der Karte verfolgen
  - Die Applikation steht unter folgender Adresse zur Verfügung  
[http://truecam.com/download/M5W\\_player.zip](http://truecam.com/download/M5W_player.zip)



## 10. VOLLSTÄNDIGE EINSTELLUNGEN

<b>EINSTELLUNG</b>	<b>BESCHREIBUNG</b>
<b>Auflösung</b>	Einstellung der Video-/Fotoauflösung Höhere Auflösung = mehr Details und größere Datei 60 fps = 60 Bilder pro Sekunde = fließendes Video
<b>Loop-Aufnahme</b>	Einstellung der Dauer der einzelnen Schleifen Längere Schleife = größere Datei Die Endlosaufnahme kann auch ausgeschaltet werden und wenn die SD Karte voll ist, wird die Aufnahme beendet
<b>WDR</b>	Gleicht beim Einschalten der Kamera die Helligkeit aus, wenn sich gleichzeitig sehr helle und sehr dunkle Flächen im Bild befinden
<b>Helligkeit</b>	Einstellung der Gesamthelligkeit der Aufnahme Die Kamera regelt, je nach den Lichtbedingungen, gleichzeitig automatisch die Helligkeit der Aufnahme
<b>Bewegungserkennung</b>	Schaltet die Bewegungserkennung ein / aus Mehr Informationen über diese Funktion in Kapitel 6
<b>Parkmodus</b>	Schaltet den Parkmodus ein / aus Mehr Informationen über diese Funktion in Kapitel 6
<b>Audioaufnahme</b>	Schaltet das Mikrofon ein / aus Kann auch durch gedrücktes Halten der Taste MENU / MODE während der Aufnahme erfolgen
<b>G-Sensor- Empfindlichkeit</b>	Stellt die Empfindlichkeit des G-Sensors ein Mehr Informationen über diese Funktion in Kapitel 6
<b>Datumsanzeige</b>	Zeigt die Uhrzeit und das Datum im Video an
<b>WiFi</b>	WiFi ein / aus
<b>Datum / Uhrzeit</b>	Einstellung des Datums und der Uhrzeit Gedrücktes Halten der Taste OK / POWER = bestätigen Gedrücktes Halten der Taste MENU / MODE = aufheben Bei der Verbindung der Kamera mit einem Gerät über WiFi werden die Uhrzeit und das Datum automatisch eingestellt
<b>Name des Fahrers</b>	Einstellung eines beliebigen Textes im Video Gedrücktes Halten der Taste OK / POWER = bestätigen Gedrücktes Halten der Taste MENU / MODE = aufheben
<b>Bildschirmschoner</b>	Bei eingeschaltetem Bildschirmschoner nimmt die Kamera weiterhin auf Sie beenden den Bildschirmschoner durch Drücken einer beliebigen Taste
<b>Lautstärke</b>	Einstellung der Lautstärke aller Kameratöne
<b>Systemtöne</b>	Ein- / Ausschalten der Tastentöne und ein / aus
<b>Sprache</b>	Einstellung der Menüsprache der Kamera
<b>Format</b>	Formatiert die Daten auf der Speicherkarte
<b>Fabrikseinstellung</b>	Stellt die Werkseinstellungen der Kamera wieder her
<b>Firmwareversion</b>	Zeigt die installierte Version der Firmware an

## 11. SPEZIFIKATIONEN

<b>Videoauflösung</b>	Full HD (1920×1080) @ 30 fps HD (1280×720) @ 60 fps HD (1280×720) @ 30 fps
<b>Aufnahmewinkel</b>	150°
<b>Videoformat</b>	MP4, Komprimierung H.264
<b>Auflösung der Fotos</b>	Bis 12 Mpx
<b>Format der Fotos</b>	JPEG
<b>Ton</b>	Eingebautes Mikrofon, das ausgeschalten werden kann
<b>LCD Display</b>	2" 320×240
<b>Speicher</b>	Micro SD bis 64 GB
<b>Konnektivität</b>	WiFi
<b>Funktionen</b>	Magnethalterung, WDR, Parkmodus, Bewegungserkennung, G-Sensor, Aufzeichnung in einer Schleife, Schutz der Dateien, automatischer Start, magnetisches GPS Modul (optional), magnetischer CPL Filter (optional)
<b>Menüsprachen</b>	Deutsch, Tschechisch, Englisch, Slowakisch, Polnisch, Ungarisch
<b>Stromversorgung</b>	Superkondensator
<b>Abmessungen</b>	69 × 45 × 34 mm

## 12. SICHERHEITSGRUNDSÄTZE UND HINWEISE

- › Bedienen Sie die Kamera nicht während der Fahrt.
- › Das Glas ist mit einer Folie beklebt und das erwärmte Glas kann die Aufnahmequalität und das Signal des GPS Moduls einschränken (optional).
- › Setzen Sie die Kamera keinen extremen Temperaturen aus – insbesondere nicht einer längeren direkten Sonneneinstrahlung.
- › Achten Sie auf die gesetzlichen Vorschriften des Landes, in dem Sie das Fahrzeug betreiben, ob Sie die Verwendung einer Aufzeichnungskamera erlauben.
- › Damit Verletzungen vermieden werden, muss die Autokamera während der Fahrt immer an der Metallhalterung befestigt sein und darf nicht den Weg zu den Sicherheitselementen versperren – insbesondere zum Airbag.

### SICHERHEITSHINWEISE

- › Benutzen Sie nur das mitgelieferte Ladegerät. Wenn ein anderes Ladegerät verwendet wird kann dies die Kamera stören oder beschädigen oder eine andere Gefahr entstehen.
- › Ladegerät nicht in sehr feuchter Umgebung benutzen. Fassen Sie das Gerät nie an wenn Sie nasse Hände oder im Wasser stehen.
- › Wenn das Gerät geladen oder mit Strom versorgt wird oder lassen Sie genügend Abstand zu anderen Gegenständen um ein ausreichende Lüftung zu gewährleisten. Decken Sie das Ladegerät nicht mit Papieren oder anderen Materialien zu um die Kühlung nicht zu behindern. Benutzen Sie das Ladegerät nicht in der Verpackung.
- › Das Ladegerät immer an die richtige Netzspannung anschließen. Einspeise Spannung finden Sie auf dem Gerät oder auf der Verpackung.
- › Ladegerät nicht benutzen wenn es offensichtlich beschädigt ist. Versuchen Sie das Gerät nicht selber reparieren.
- › Wenn das Gerät zu heiß werden sollte, sofort von der Stromzufuhr trennen.
- › Der Packungsinhalt beinhaltet kleine Teile, die eine Gefahr für Kinder darstellen können. Bewahren Sie das Produkt stets außerhalb der Reichweite von Kindern auf. Die Verpackung und Enthaltene Kleinteile können bei Verschlucken eine Erststickungsgefahr darstellen.



## **SICHERHEITSHINWEISE ZUR STROMVERSORGUNG**

- › Verwenden Sie zum Laden nur die für diesen Kameratyp angegebenen Ladegeräte.
- › Verwenden Sie nur zugelassene Ladekabel, ansonsten riskieren Sie eine Beschädigung des Geräts.
- › Verwenden Sie niemals beschädigte Ladegeräte, oder Ladeadapter.
- › Leistung bei Raumtemperatur, niemals unter 0 ° C oder über 40 ° C.
- › Setzen Sie das Ladegerät niemals Feuchtigkeit, Wasser, Regen, Schnee oder anderen Flüssigkeiten aus.
- › Lassen Sie die Kamera beim Aufladen niemals unbeaufsichtigt. Elektrischer Kurzschluss oder versehentliche Überladung der Kamera können Emission von Schadstoffen, Explosion oder Brand verursachen.
- › Bei übermäßiger Erwärmung der Kamera das Ladegerät sofort vom Stromnetz trennen.
- › Verwenden Sie das Ladegerät niemals in der Nähe von entflammaren Gegenständen, wie z. B. Batterien, Vorhängen, Tischdecken usw.

## **GERÄTEPFLEGE**

- › Eine gute Gerätepflege sichert Ihnen einen einwandfreien Betrieb, Langlebigkeit und mindert das Risiko von Beschädigungen.
- › Halten Sie das Gerät fern von extremer Feuchtigkeit und Temperaturen, setzen Sie das Gerät langfristig nicht ultravioletter und Sonneneinstrahlung aus.
- › Vermeiden Sie starke Schläge und Fall des Gerätes.
- › Setzen Sie das Gerät keinen extremen Temperaturschwankungen aus. Dies könnte zu Kondenswasserbildung im inneren des Geräts führen und das Gerät beschädigen. Bei Kondenswasserbildung lassen Sie das Gerät vor weiterer Inbetriebnahme mehrere Tage gründlich trocknen.
- › Die Displayoberfläche kann leicht verkratzen. Nicht mit scharfen Gegenständen berühren.
- › Gerät nicht putzen wenn eingeschaltet. Um das Display und die Kamera zu reinigen benutzen Sie ein fusselfreies feines Tuch. Display nicht mit Papiertaschentüchern reinigen.
- › Versuchen Sie nie die Kamera auseinander zu nehmen, selber zu reparieren oder sonst wie zu verändern. In allen Fällen von Demontage oder anderen Änderungen des Geräts verfällt die Garantie und es kann zu Verletzungen oder sogar Schäden an Eigentum kommen.
- › Lagern und transportieren Sie das Gerät oder seine Teile nicht in der der Nähe von brennbaren Materialien, Flüssigkeiten, Gasen oder Sprengmaterial.
- › Um Diebstahl vorzubeugen lassen Sie das Gerät oder Zubehör sichtbar im Auto ohne Aufsicht.
- › Überhitzung kann das Gerät beschädigen.
- › Laden Sie das Gerät nur unter Aufsicht.

## **WEITERE ANGABEN**

1) Für Haushalte: Das angeführte Symbol (durchgestrichene Mülltonne) auf dem Gerät oder in der begleitenden Dokumentation bedeutet, dass die gebrauchten elektrischen oder elektronischen Produkte nicht zusammen mit dem Restmüll entsorgt werden dürfen. Damit sie ordnungsgemäß entsorgt werden können, geben Sie sie bitte an der dafür bestimmten Sammelstellen ab, wo sie kostenlos angenommen werden. Durch die richtige Entsorgung dieses Produkts helfen Sie, die wertvollen natürlichen Rohstoffe zu erhalten und dem potentiellen negativen Einfluss auf die Umwelt und die menschliche Gesundheit, die die negativen Folgen einer falschen Entsorgung darstellen, vorzubeugen. Erfragen Sie weitere Details bei der lokalen Behörde oder bei der nächsten Sammelstelle. Bei einer falschen Entsorgung dieser Produktentart können Ihnen gemäß den lokalen Vorschriften Geldbußen auferlegt werden. Informationen für die Entsorgung der elektrischen oder elektronischen Geräten (Nutzung seitens Firmen und Unternehmen): Erfragen Sie detaillierte Informationen über die Entsorgung der elektrischen und elektronischen Geräte bei Ihrem Händler oder Lieferanten. Informationen über die Entsorgung der elektrischen und elektronischen Geräte für die Benutzer aus anderen Ländern außerhalb der Europäischen Union: Das oben angeführte Symbol (durchgestrichene Mülltonne) ist nur in den Ländern der Europäischen Union gültig. Für eine ordnungsgemäße Entsorgung der elektrischen und elektronischen Geräte erfragen Sie detaillierte

Informationen bei Ihren Behörden oder Händlern. Das Symbol der durchgestrichenen Mülltonne steht für alle oben aufgeführten Vorschriften.

2) Machen Sie die Garantiereparaturen des Geräts bei Ihrem Händler geltend. Bei technischen Problemen und Fragen setzen Sie sich mit Ihrem Händler in Verbindung, der Sie über das weitere Vorgehen informieren wird. Halten Sie sich an die Regeln des Umgangs mit Gerät. Der Benutzer ist nicht berechtigt, die Geräte auseinanderzunehmen und oder irgendeinen Teil von ihnen auszuwechseln. Beim Auseinandernehmen oder Abnehmen des Gehäuses droht das Risiko einer Verletzung durch einen Stromschlag. Bei einer nicht korrekten Zusammensetzung des Geräts und dessen nachfolgenden Anschluss an die Stromversorgung setzen Sie sich auch dem Risiko einer Stromverletzung aus.

Insofern nicht anders deklariert, sind die Produkte mit einer zweijährigen Herstellergarantie versehen. Die Garantiezeit für die Batterie beträgt 24 Monate, auf die Batteriekapazität wird eine Garantie von 6 Monaten gewährt.

### **KONFORMITÄTSERKLÄRUNG**

Hiermit erklärt die elem6 s.r.o., dass alle Produkte der TrueCam M5 konform sind mit den Richtlinien und relevanten Provisionen der Direktive 2014/53/EU und 2014/30/EU. Die Produkte sind für den un-eingeschränkten Verkauf in Deutschland, Tschechien, Slowakei, Polen, Ungarn, und anderen EU Ländern bestimmt. Sie können die vollständige Konformitätserklärung unter der folgenden Webseite einsehen:

**[www.truecam.com/support/doc](http://www.truecam.com/support/doc)**.

- › Frequenzbereich(e) in denen das Radiogerät operiert: 2.400–2.4835 GHz
- › Maximale Radiofrequenzstärke, die über den/die Frequenzbereich(e) des Geräts abgestrahlt wird: 10,2 dBm

### **HERSTELLER**

elem6, s.r.o., Braškovská 308/15, 16100 Prag 6  
[www.truecam.com](http://www.truecam.com)

Die TrueCam® Marke ist ein eingetragenes Warenzeichen, und unsere Produkte sind patentrechtlich geschützt.

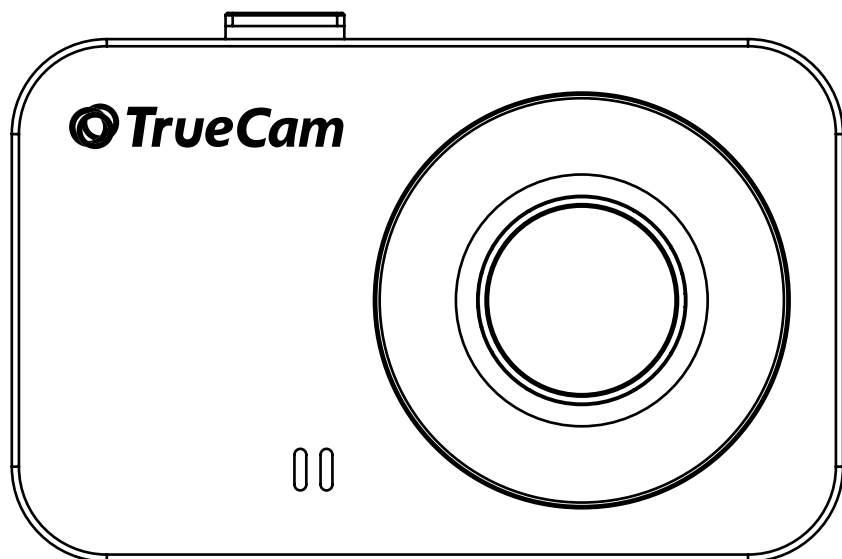
Alle Rechte vorbehalten.



# M5 WiFi

---

Autokamera s WiFi  
a magnetickým dizajnom



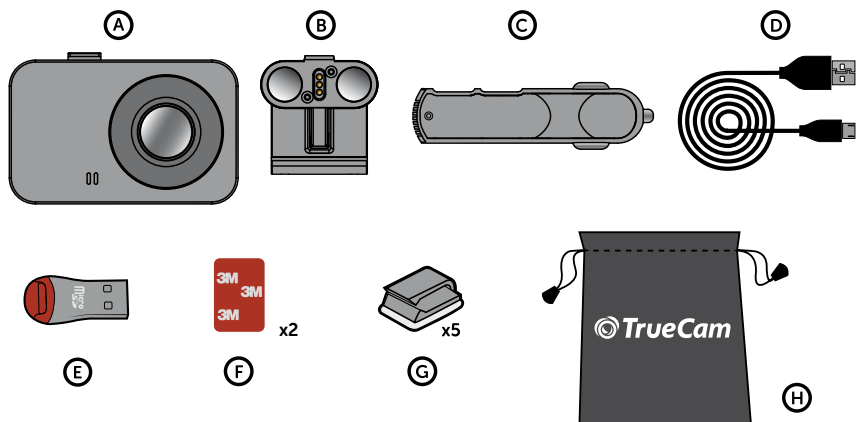
---

## OBSAH

1. Obsah balenia .....	2
2. Zoznámenie sa s kamerou .....	3
3. Ovládanie .....	3
4. Ikony na displeji.....	4
5. Prvé zapnutie.....	4
6. Základné funkcie .....	5
7. Umiestenie na sklo .....	5
8. WiFi aplikácia .....	6
9. Prehrávanie na PC.....	7
10. Úplné nastavenie.....	8
11. Špecifikácie .....	9
12. Bezpečnostné zásady a upozornenia .....	9

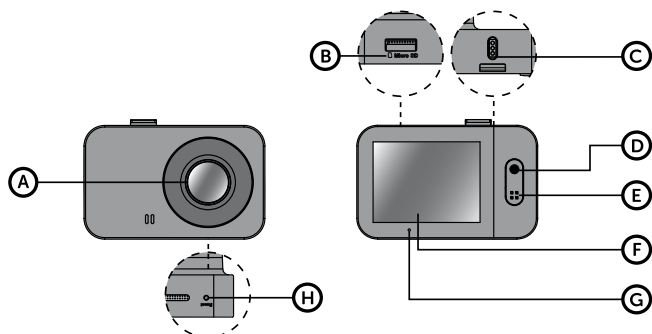
---

### 1. OBSAH BALENIA



- A**) Autokamera TrueCam M5 WiFi
- B**) Magnetický držiak s 3M nálepkou
- C**) Adaptér do autozapaľovača s dvoma USB výstupmi
- D**) Napájací micro USB kábel o dĺžke 3 m
- E**) Micro SD / USB adaptér k prenosu súborov do PC
- F**) Náhradná 3M nálepka pre opätovné prilepenie držiaku na sklo (2x)
- G**) 3M držiak pre uchytienie napájacieho kábla (5x)
- H**) Ochranný obal pre uschovanie a prenášanie

## 2. ZOZNÁMENIE SA S KAMEROU

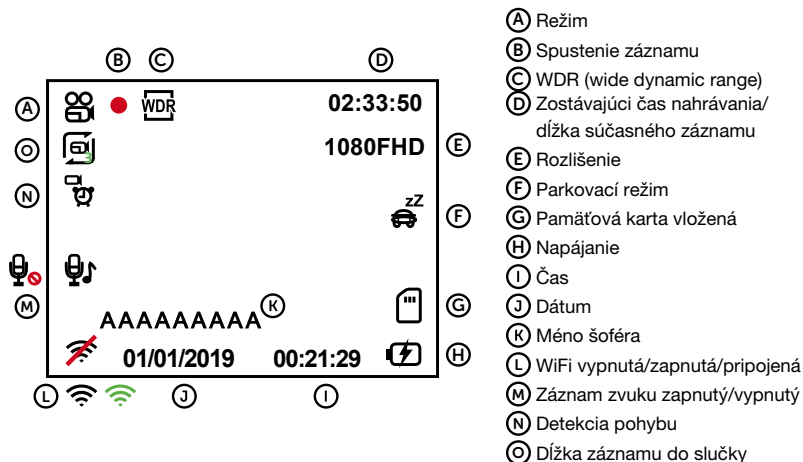


- (A) Širokohlý objektív
- (B) Slot pre pamäťovú kartu
- (C) Magnetický vstup držiaku
- (D) Tlačidlo OK / POWER
- (E) Tlačidlo MENU / MODE
- (F) 2.0" displej
- (G) Stavová dióda  
(svieti = kamera je zapnutá, bliká = nahrávanie)
- (H) Tlačidlo RESET

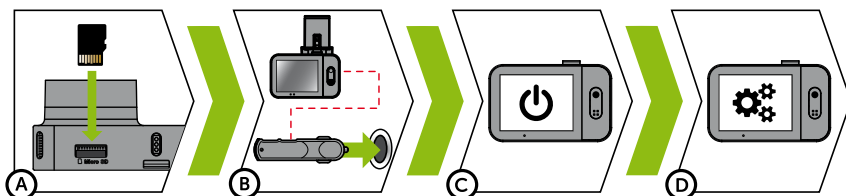
## 3. OVLÁDANIE

<b>REŽIM VIDEO</b>	OK / POWER	Stlačenie	Spustiť/ukončiť nahrávanie
		Pridržanie	Zapnúť/vypnúť kameru
	MENU / MODE	Stlačenie	Otvoriť menu Pri nahrávaní chrániť záznam
		Pridržanie	Prepnúť režim Pri nahrávaní zapnúť/vypnúť záznam zvuku
<b>REŽIM FOTO</b>	OK / POWER	Stlačenie	Vyfotiť
		Pridržanie	Zapnúť/vypnúť kameru
	MENU / MODE	Stlačenie	Otvoriť menu
		Pridržanie	Prepnúť režim
<b>REŽIM PREHRÁVANIA</b>	OK / POWER	Stlačenie	Spustiť/prerušiť prehrávanie
		Pridržanie	Ukončiť zrýchlené prehrávanie
		Pridržanie	Zapnúť/vypnúť kameru Pri prehrávaní prepnúť rýchlosť prehrávania
	MENU / MODE	Stlačenie	Otvoriť menu
<b>MENU</b>	OK / POWER	Pridržanie	Prepnúť režim Pri prehrávaní návrat na výber videa
		Stlačenie	Potvrdiť Pri zadávaní znaku hore
	MENU / MODE	Pridržanie	Prepínanie menu režimu/menu kamery Pri zadávaní znaku potvrdiť
		Stlačenie	Dole
<b>KEDYKOL'VEK</b>	RESET	Pridržanie sponkou	Späť
		Stlačenie sponkou	Reštartovať kameru

## 4. IKONY NA DISPLEJI



## 5. PRVÉ ZAPNUTIE



- A** Vložte micro SD kartu podľa obrázku na kamere (konektory karty smerom k displeju)
- Používajte značkové karty triedy 10 a vyššej s kapacitou až 64 GB
  - Kartu vyberajte iba pri vypnutej kamere
  - Kartu pri prvom použití sformátujte priamo v kamere a aspoň raz za mesiac formátovanie zopakujte pre zaistenie správneho fungovania kamery
- B** Zapojte adaptér do autozapalovača a pomocou USB káblu ho prepojte s držiakom kamery
- Kamera je určená k prevádzke iba pri pripojení k napájaniu
  - Namiesto batérie obsahuje kamera superkondenzátor, ktorý umožňuje napájanie a má niekoľkonásobne dlhšiu životnosť ako klasická batéria
- C** Kamera sa automaticky zapne a začne nahrávať
- U niektorých vozidiel je najprv nutné otočiť kľúčom v zapalovaní
- D** Pred nalepením držiaku na sklo vykonajte základné nastavenie kamery
- Pre maximálne pohodlie odporúčame k nastaveniu použiť WiFi aplikáciu – viď časť 8.

## 6. ZÁKLADNÉ FUNKCIE

### ZÁZNAM DO SLUČKY

- Kamera automaticky delí záznam na kratšie video súbory a pri zaplnení SD karty začne prepisovať najstaršie nechránené súbory novými
- Vďaka tomu sa nemusíte starať o voľné miesto na karte

### OCHRANA SÚBORU

- Ak chcete súbor ochrániť proti prepísaniu, stlačte tlačidlo MENU/MODE v priebehu nahrávania alebo zvolte Chrániť v menu Režimu prehrávania

### G-SENZOR

- Pokiaľ G-senzor zaznamená náraz, automaticky ochráni aktuálne nahrávané video proti prepísaniu
- Pozor, pri nastavení vysokej citlivosti a jazde po nerovnom povrchu môže dôjsť ku samovoľnému chráneniu súborov a úplnému zaplneniu SD karty

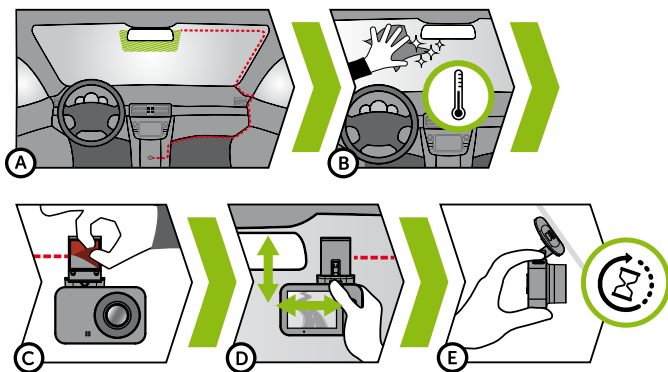
### DETEKCIA POHYBU

- Kamera začne automaticky nahrávať, keď zaznamená pohyb v zornom poli objektívu a pokiaľ pohyb prestane, tak po cca 10 sekundách záznam ukončí
- Pokiaľ záznam ukončíte ručne alebo kameru vypnete, detekcia pohybu sa deaktivuje
- Funkcia slúži k monitorovaniu zaparkovaného vozidla, nepoužívajte počas jazdy
- Pre použitie funkcie Detekcia pohybu musí byť kamera zapnutá a v napájaní

### PARKOVACÍ REŽIM

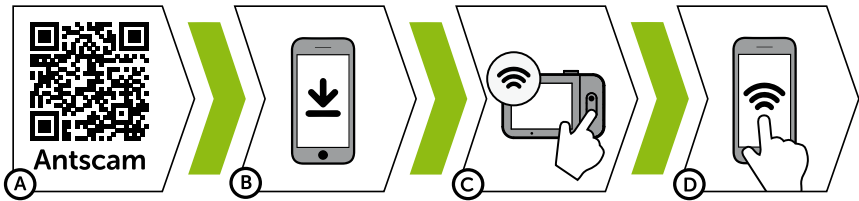
- Kamera začne automaticky nahrávať, keď zaznamená otras vozidla a pokiaľ sa pohyb neopakuje, tak po cca 30 sekundách záznam ukončí a vypne sa
- Pre použitie funkcie Parkovací režim musí byť kamera vypnutá a v napájaní

## 7. UMIESTENIE NA SKLO



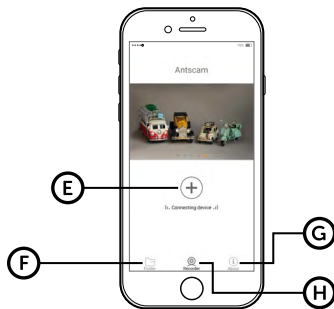
- Ⓐ Ideálnym miestom pre pripevnenie autokamery je priestor medzi čelným sklom a spätným zrkadlom tak, aby neprekážala šoférovi vo výhľade
- Ⓑ Uistite sa, že sklo je v mieste uchytenia čisté a suché
  - Ideálna teplota pre lepenie je 20°C – 40°C
- Ⓒ Odstráňte fóliu z 3M nálepky na držiaku kamery
- Ⓓ Pred prilepením na sklo nasmerujte zapnutú kameru tak, aby mala správny výhľad
- Ⓔ Prítlačte 3M nálepku na sklo a chvíľu držte

## 8. WIFI APLIKÁCIA



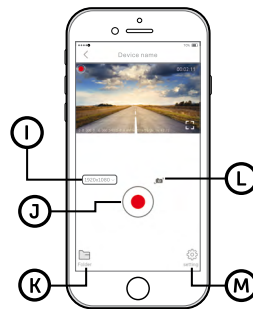
- (A) Načítajte QR kód alebo vyhľadajte aplikáciu Antscam na App Store/Google Play
- (B) Nainštalujte aplikáciu do svojho smartfónu alebo tabletu
- (C) Zapnite WiFi v kamere – menu kamery -> WiFi -> Zapnúť -> na displeji kamery sa zobrazí názov siete (SSID) a heslo (PWD)
- (D) Na telefóne/tablete sa pripojte na WiFi sieť s názvom kamery, zadajte heslo (z výroby 12345678), spusťte aplikáciu Antscam a kliknite na tlačidlo „+“ pre pripojenie kamery

### OVĽÁDÁNIE APLIKÁCIE ANTSCAM:



#### BEZ PRIPOJENIA

- (E) Pripojiť kameru
- (F) Súborny stiahnuté do telefónu
- (G) Informácie
- (H) Kamera

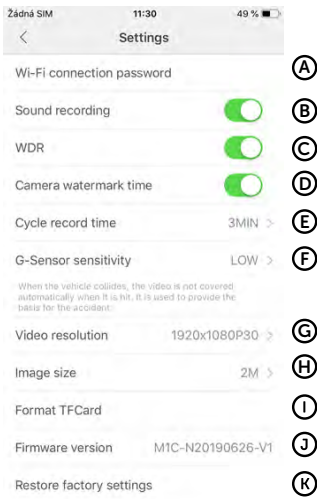


#### PO PRIPOJENÍ

- (I) Nastavenie rozlíšenia
- (J) Spustiť/ukončiť nahrávanie
- (K) Súborny v kamere
- (L) Vyfotiť
- (M) Nastavenie kamery



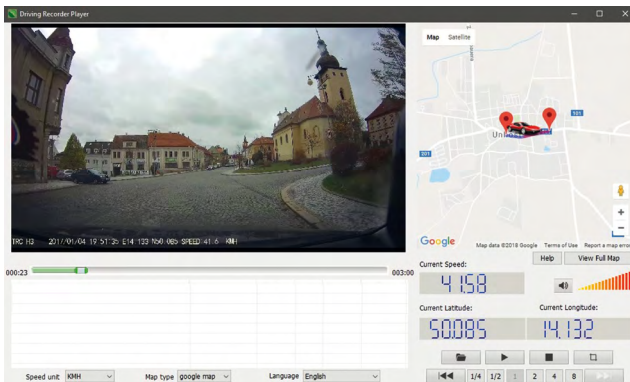
## NASTAVENIE KAMERY V APLIKÁCI ANTSCAM



- (A) WiFi heslo
- (B) Nahrávanie zvuku
- (C) WDR (wide dynamic range)
- (D) Časová známka
- (E) Nahrávanie v slučke
- (F) Citlivosť G-senzoru
- (G) Rozlíšenie videa
- (H) Rozlíšenie fotografie
- (I) Formátovať kartu
- (J) Verzia firmware
- (K) Továrenské nastavenia

## 9. PREHRÁVANIE NA PC

- (A) Vyberte micro SD kartu z vypnutej kamery a vložte ju do počítača
  - V závislosti od vybavenia počítača buď priamo, pomocou micro SD/SD adaptéra, alebo micro SD/USB adaptéra (súčasť balenia)
- (B) Otvorte zložku vymeniteľného disku a prehrajte ľubovoľný súbor
  - Môžete použiť akýkoľvek bežný prehrávač videa
- (C) Na prehrávanie videí vrátane dát z doplnkovo predajného GPS modulu použite špeciálny prehrávač
  - Zároveň s videom je možné sledovať údaje o rýchlosti, GPS súradniciach a trasu na mape
  - Aplikácia je dostupná na adrese [http://truecam.com/download/M5W\\_player.zip](http://truecam.com/download/M5W_player.zip)



## 10. ÚPLNÉ NASTAVENIE

<b>NASTAVENIA</b>	<b>POPIS</b>
<b>Rozlíšenie</b>	Nastaví rozlíšenie videa/fotografie Vyššie rozlíšenie = viac detailov a väčší súbor 60 fps = 60 snímok za sekundu = plynulejšie video
<b>Nahrávanie v slučke</b>	Nastaví dĺžku jednotlivých slučiek Dlhšia slučka = väčší súbor Záznam do slučky je tiež možné vypnúť a v prípade zaplnenia SD karty sa záznam ukončí
<b>WDR</b>	Pri zapnutí kamera vyrovnáva svetelnosť, pokiaľ sú v obraze zároveň veľmi svetlé a veľmi tmavé plochy
<b>Jas</b>	Nastaví celkovú svetlosť záznamu Kamera zároveň automaticky reguluje jas záznamu podľa svetelných podmienok
<b>Detekcia pohybu</b>	Zapne/vypne detekcia pohybu Viac informácií o tejto funkcii v kapitole 6
<b>Parkovací režim</b>	Zapne/vypne parkovací režim Viac informácií o tejto funkcii v kapitole 6
<b>Nahrávanie zvuku</b>	Zapne/vypne mikrofón Je tiež možné prepínať pridržením tlačidla MENU/MODE pri nahrávaní
<b>Čitlivosť G-Senzoru</b>	Nastaví čitlivosť G-senzora Viac informácií o tejto funkcii v kapitole 6
<b>Časová známka</b>	Zobrazí čas a dátum vo videu
<b>WiFi</b>	Zapne/Vypne WiFi
<b>Dátum / čas</b>	Nastaví dátum a čas Pridržanie tlačidla OK/POWER = potvrdiť Pridržanie tlačidla MENU/MODE = zrušiť Pri spárovaní kamery s inteligentným zariadením cez WiFi sa čas a dátum nastaví automaticky
<b>Méno šoféra</b>	Nastaví ľubovoľný text vo videu Pridržanie tlačidla OK/POWER = potvrdiť Pridržanie tlačidla MENU/MODE = zrušiť
<b>Šetrič obrazovky</b>	Pri šetriči obrazovky kamera naďalej nahráva Šetrič ukončíte stlačením ľubovoľného tlačidla
<b>Hlasitosť</b>	Nastaví hlasitosť všetkých zvukov kamery
<b>Systémové zvuky</b>	Zapne/vypne zvuk tlačidiel a zapnutie/vypnutie
<b>Jazyk</b>	Nastaví jazyk menu kamery
<b>Formátovať</b>	Formátuje dáta na pamäťovej karte
<b>Továrenské nastavenia</b>	Nastaví kameru do továrenského nastavenia
<b>Verzia firmware</b>	Zobrazí nainštalovanú verziu FW

## 11. ŠPECIFIKÁCIE

<b>Rozlíšenie videa</b>	Full HD (1920×1080) @ 30 fps HD (1280×720) @ 60 fps HD (1280×720) @ 30 fps
<b>Uhol záberu</b>	150°
<b>Formát videa</b>	MP4, kompresia H.264
<b>Rozlíšenie fotografie</b>	Až 12 Mpx
<b>Formát fotografie</b>	JPEG
<b>Zvuk</b>	Vstavaný mikrofón s možnosťou vypnutia
<b>LCD displej</b>	2" 320×240
<b>Pamäť</b>	Micro SD až 64 GB
<b>Konektivita</b>	WiFi
<b>Funkcie</b>	Magnetický držiak, WDR, parkovací režim, detekcia pohybu, G-senzor, záznam do slučky, ochrana súborov, automatické spustenie, magnetický GPS modul s detekciou radarov (doplnkovo), magnetický CPL filter (doplnkovo)
<b>Jazyky menu</b>	Slovenčina, Čeština, Angličtina, Nemčina, Poľština, Maďarčina
<b>Napájanie</b>	Superkondenzátor
<b>Rozmery</b>	69 × 45 × 34 mm

## 12. BEZPEČNOSTNÉ ZÁSADY A UPOZORNENIA

- › Neovládajte kameru pri riadení.
- › Čelné sklo potiahnuté akoukoľvek fóliou a vyhrievané sklo môžu obmedzovať kvalitu záznamu a signál GPS modulu (voliteľné).
- › Nevystavujte kameru extrémnym teplotám – najmä nenechávajte dlhú dobu na priamom slnku.
- › Uistite sa, že legislatíva štátu, kde prevádzkujete vozidlo, umožňuje používanie záznamových kamier.
- › Pre predchádzanie zraneniam musí byť kamera za jazdy vždy uchytená v držiaku a nesmie blokovat cestu bezpečnostných prvkov – hlavne airbagov.

### ZÁSADY A UPOZORNENIA

- › Pre zaistenie vlastnej bezpečnosti nepoužívajte ovládacie prvky tohto prístroja pri riadení.
- › Pri používaní rekordéra v aute je nutný okenný držiak. Rekordér umiestnite na vhodné miesto tak, aby nebránil vo výhľade vodiča ani v aktivácií bezpečnostných prvkov (napr. airbagov).
- › Objektív kamery nesmie byť ničím blokovaný a v blízkosti objektívu sa nesmie nachádzať žiadny reflexný materiál. Uchovávajte objektív čistý.
- › Ak je čelné sklo automobilu zafarbené reflexnou vrstvou, alebo je vyhrievané, môže to obmedzovať kvalitu záznamu a predovšetkým signál GPS.

### BEZPEČNOSTNÉ ZÁSADY

- › Používajte len nabíjačku dodávanú s prístrojom. Pri použití iného typu nabíjačky môže dôjsť k poruche prístroja alebo môže vzniknúť iné nebezpečenstvo.
- › Nepoužívajte nabíjačku vo vysoko vlhkom prostredí. Nikdy sa nabíjačky nedotýkajte mokrymi rukami alebo ak stojíte vo vode.
- › Pri napájaní prístroja alebo nabíjaní batérie ponechajte v okolí nabíjačky dostatočný priestor pre cirkuláciu vzduchu. Neprikrývajte nabíjačku papiermi ani inými predmetmi, ktoré by mohli zhoršiť jej chladenie. Nepoužívajte nabíjačku uloženú v transportnom obale.
- › Nabíjačku pripojujte ku správnejmu zdroju napätia. Údaje o napätí sú uvedené na plášti výrobku alebo na jeho obale.
- › Nepoužívajte nabíjačku, ak je zjavne poškodená. V prípade poškodenia zariadenia ju sami neopravujte!

- › V prípade nadmerného zahrievania prístroja ho okamžite odpojte od prívodu energie.
- › Nabíjajte zariadenie pod dohľadom.
- › Balenie obsahuje malé časti, ktoré môžu byť nebezpečné pre deti. Produkt vždy odkladajte mimo dosahu detí. Vrecká alebo časti, ktoré obsahujú, môžu po prehltnutí alebo nasadení na hlavu spôsobiť udusenie.

### **BEZPEČNOSTNÉ UPOZORNENIE PRE NAPÁJENIE**

- › Na nabíjanie používajte len nabíjačku, ktorá je pre túto kameru určená.
- › Používajte štandardné káble pre nabíjanie, inak by mohlo dôjsť k poškodeniu zariadenia.
- › Nepoužívajte akokoľvek poškodený sieťový adaptér alebo nabíjačku.
- › Napájanie vykonávajte za izbovej teploty, nikdy nenabíjajte pri teplote nižšej ako 0°C alebo pri teplote vyššej ako 40°C.
- › Nevystavujte nabíjačku pôsobeniu vlhkosti, vody, dažďa, snehu alebo rôznym nástrekom.
- › Počas napájanie nenechávajte kameru nikdy bez dohľadu, skrat alebo náhodné prebitie môže spôsobiť únik agresívnych chemikálií, explóziu alebo požiar!
- › V prípade, že pri napájaní kamery dochádza k jej nadmernému ohrievaniu, nabíjačku okamžite odpojte.
- › Nabíjačku neumiestňujte pri nabíjaní na horľavé predmety alebo do ich blízkosti. Pozor na záclony, koberce, obrusy a podobne.

### **ÚDRŽBA PRÍSTROJA**

- › Dobrá údržba tohto prístroja zaisťujú bezproblémový chod a obmedzí nebezpečenstvo poškodenia.
- › Uchovávajte prístroj mimo extrémnu vlhkosť a teploty a nevystavujte prístroj dlhodobo priamemu slnečnému alebo ultrafialovému žiareniu.
- › Zabráňte pádu prístroja, nevystavujte ho silným nárazom.
- › Nevystavujte prístroj náhlym a prudkým zmenám teplôt. Mohlo by to spôsobiť kondenzovanie vlhkosti vnútri zariadenia, čo by mohlo prístroj poškodiť. V prípade, kedy dôjde ku kondenzácii vlhkosti, nechajte prístroj pred ďalším používaním dokonale vyschnúť.
- › Zásadne nečistite prístroj, keď je zapnutý. K čisteniu prístroja používajte mäkkú handričku.
- › Zásadne sa nepokúšajte prístroj rozobrať, opravovať alebo akokoľvek upravovať. V prípade demontáže, úprav alebo akéhokoľvek pokusu o opravu dochádza ku prepadnutiu záruky a môže dôjsť ku poškodeniu prístroja alebo dokonca ku zraneniu alebo škodám na majetku.
- › Neskladujte ani neprevádzkajte horľavé kvapaliny, plyny alebo výbušné materiály spolu s prístrojom, jeho časťami alebo doplnkami.
- › Aby sa zabránilo krádeži, nenechávajte prístroj a príslušenstvo na viditeľnom mieste vo vozidle bez dozoru.
- › Prehriatie môže prístroj poškodiť.

### **ĎALŠIE INFORMÁCIE**

1) Pre domácnosti: Uvedený symbol (preškrtnutý kôš) na výrobku alebo v sprievodnej dokumentácii znamená, že použité elektrické alebo elektronické výrobky nesmú byť likvidované spoločne s komunálnym odpadom. Za účelom správnej likvidácie výrobku ho odovzdajte na určených zberných miestach, kde budú prijaté zdarma. Správnu likvidáciu tohto produktu pomôžete zachovať cenné prírodné zdroje a napomáhate prevencii potenciálnych negatívnych dopadov na životné prostredie a ľudské zdravie, čo by mohli byť dôsledky nesprávnej likvidácie odpadov. Ďalšie podrobnosti si vyžiadajte od miestneho úradu alebo najbližšieho zberného miesta. Pri nesprávnej likvidácii tohto druhu odpadu môžu byť v súlade s národnými predpismi udelené pokuty. Informácie pre užívateľov k likvidácii elektrických a elektronických zariadení (firemné o podnikové použitie): Pre správnu likvidáciu elektrických a elektronických zariadení si vyžiadajte podrobné informácie u vášho predajcu alebo dodávateľa. Informácie pre užívateľov k likvidácii elektrických a elektronických zariadení v ostatných krajinách mimo Európskej únie: Vyššie uvedený symbol (preškrtnutý kôš) je platný len v krajinách Európskej únie. Pre správnu likvidáciu elektrických a elektronických zariadení si vyžiadajte podrobné informácie u vašich úradov alebo u predajcu zariadenia. Všetko vyjadruje symbol preškrtnutého kontajnera na výrobku, obalu alebo tlačenej materiáloch.

2) Záručné opravy zariadenia uplatňujte u svojho predajca. V prípade technických problémov a otázok kontaktujte svojho predajcu, ktorý Vás bude informovať o ďalšom postupe. Dodržujte pravidlá pre prácu s elektrickými zariadeniami. Užívateľ nie je oprávnený rozoberať zariadenie ani vymieňať žiadnu jeho súčasť. Otváranie alebo odstránenie krytov hrozí riziko úrazov elektrickým prúdom. Pri nesprávnom zostavení zariadenie jeho opätovnom zapojení sa tiež vystavujete riziku úrazov elektrickým prúdom.

Záručná lehota na výrobky je 24 mesiacov, pokiaľ nie je stanovená inak. Záruka sa nevzťahuje na poškodenie spôsobené neštandardným používaním, mechanickým poškodením, vystavením agresívnym podmienkam, zachádzaním v rozpore s manuálom a bežným opotrebovaním. Záručná doba na batériu je 24 mesiacov, na jej kapacitu 6 mesiacov.

Výrobca, dovozca ani distribútor nenesú žiadnu zodpovednosť za akékoľvek škody spôsobené montážou alebo nesprávnym používaním produktu.

### **VYHLÁSENIE O ZHODE**

Spoločnosť elem6 s.r.o. týmto prehlasuje, že všetky zariadenia TrueCam M5 sú v zhode so základnými požiadavkami a ďalšími príslušnými ustanoveniami smernice 2014/53/EU a 2014/30/EU. Produkty sú určené na predaj bez obmedzenia v Nemecku, Českej republike, Slovensku, Poľsku, Maďarsku a v ďalších členských krajinách EÚ. Vyhlásenie o zhode možno stiahnuť z webu [www.truecam.com/support/doc](http://www.truecam.com/support/doc).

- Frekvenčné pásmo (frekvenčné pásma), v ktorom rádiové zariadenie pracuje: 2.400–2.4835 GHz
- Maximálny rádiový výkon vysielaný vo frekvenčnom pásme (vo frekvenčných pásmach), v ktorom je rádiové zariadenie používané: 10,2 dBm

### **VÝROBCA**

- elem6 s.r.o., Braškovská 308/15, 16100 Praha 6
- [www.truecam.com](http://www.truecam.com)

Značka TrueCam® je registrovanou ochrannou známkou a její výrobky sú chránené priemyslovým vzorom.

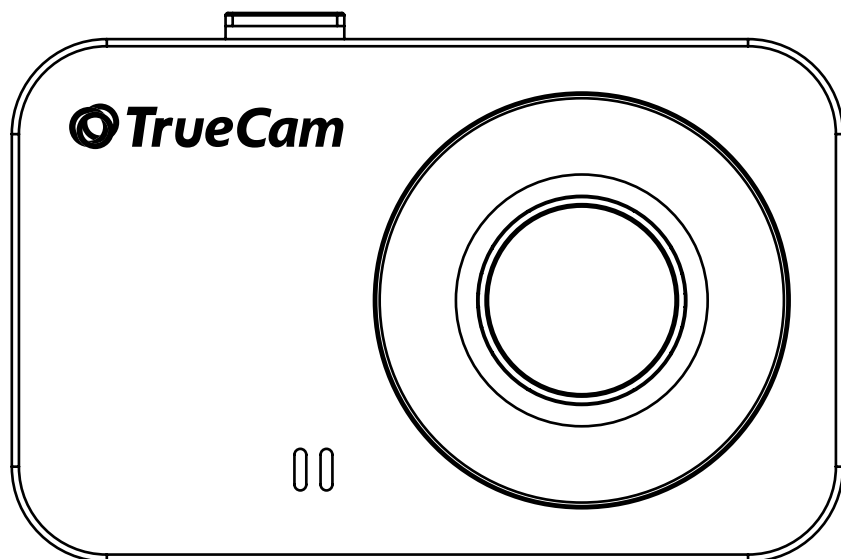
Všetky práva vyhradené.



# M5 WiFi

---

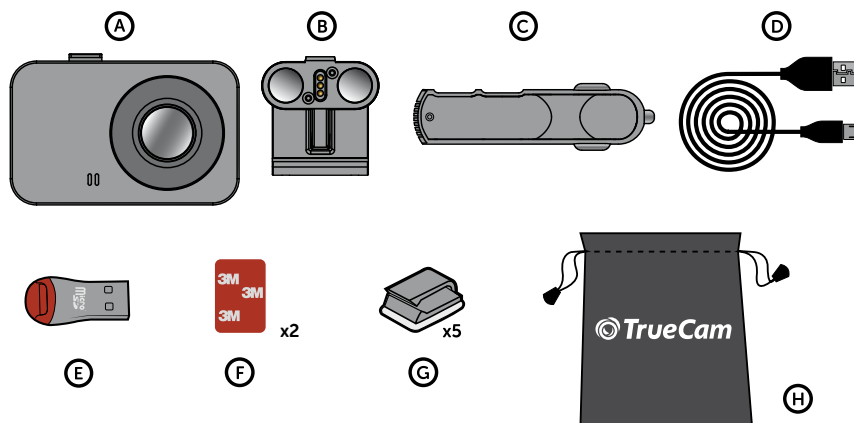
Kamera samochodowa z WiFi  
i magnetycznym designem



## SPIS TREŚCI

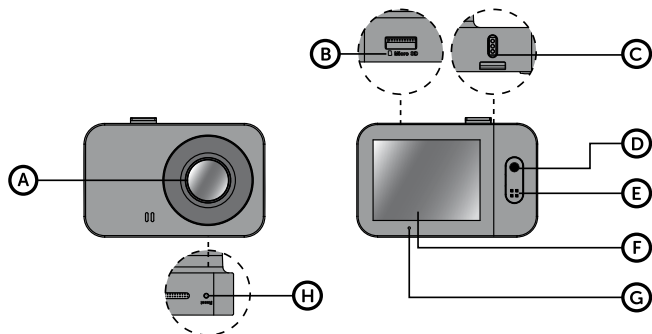
1. Zawartość opakowania .....	2
2. Zapoznanie z kamerą .....	3
3. Obsługa .....	3
4. Ikony na wyświetlaczu .....	4
5. Pierwsze włączenie .....	4
6. Podstawowe funkcje .....	5
7. Umieszczenie na szybie .....	5
8. Aplikacja WiFi .....	6
9. Odtwarzanie na PC .....	7
10. Kompletne ustawienie .....	8
11. Specyfikacja .....	9
12. Zasady bezpieczeństwa i ostrzeżenia .....	9

## 1. ZAWARTOŚĆ OPAKOWANIA



- A** Kamera samochodowa TrueCam M5 WiFi
- B** Mocowanie magnetyczne z naklejką 3M
- C** Adapter do zapalniczki samochodowej z dwoma wyjściami USB
- D** Zasilanie micro USB kabel o długości 3m
- E** Micro SD/USB adapter do przenoszenia plików do PC
- F** Zapasowa naklejka 3M do ponownego przyklejenia mocowania do szyby (2x)
- G** Mocowanie 3M do zamocowania kabla zasilania (5x)
- H** Opakowanie ochronne do przechowywania i przenoszenia

## 2. ZAPOZNANIE Z KAMERA



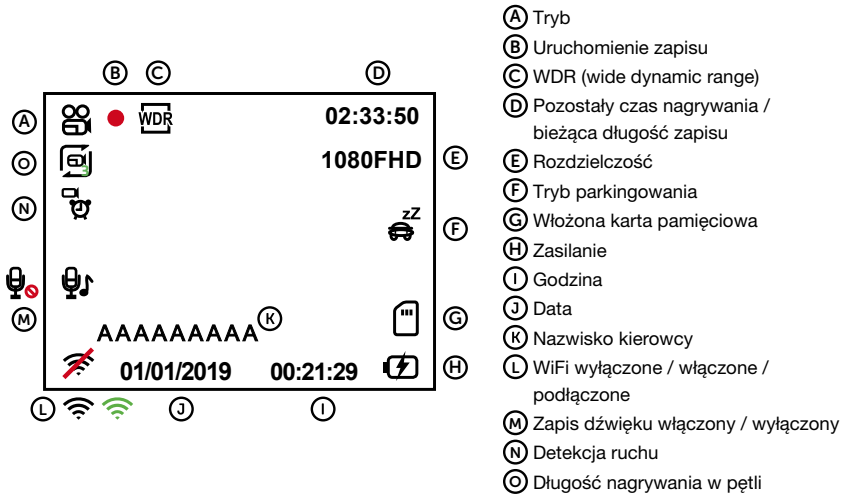
- A** Szerokokątny obiektyw
- B** Wejście na kartę pamięci
- C** Wejście magnetyczne mocowania
- D** Przycisk OK / POWER
- E** Przycisk MENU / MODE
- F** 2.0" wyświetlacz
- G** Dioda informacyjna (świeci = kamera jest włączona, miga = nagrywanie)
- H** Przycisk RESET

## 3. OBSŁUGA

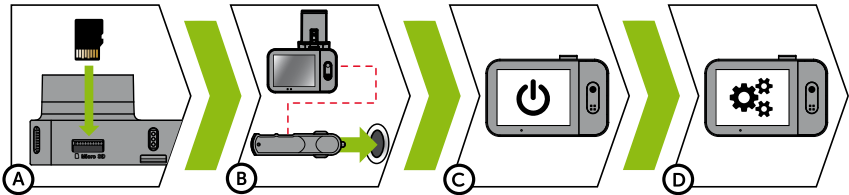
<b>TRYB NAGRYWANIA</b>	OK / POWER	Naciśnięcie	Uruchom/zakończ nagrywanie
		Przytrzymanie	Włącz/wyłącz kamerę
	MENU / MODE	Naciśnięcie	Otwórz menu Podczas nagrywania chroń zapis
		Przytrzymanie	Przełącz tryb Podczas nagrywania włącz/wyłącz zapis dźwięku
<b>TRYB FOTOGRAFO- WANIA</b>	OK / POWER	Naciśnięcie	Sfotografuj
		Przytrzymanie	Włącz/wyłącz kamerę
	MENU / MODE	Naciśnięcie	Otwórz menu
		Przytrzymanie	Przełącz tryb
<b>TRYB ODTWARZANIA</b>	OK / POWER	Naciśnięcie	Uruchom/przerwij odtwarzanie Zakończ przyspieszone odtwarzanie
		Przytrzymanie	Włącz/wyłącz kamerę Podczas odtwarzania przełącz szybkość odtwarzania
	MENU / MODE	Naciśnięcie	Otwórz menu
		Przytrzymanie	Przełącz tryb Podczas odtwarzania powrót do wyboru nagrywania
<b>MENU</b>	OK / POWER	Naciśnięcie	Potwierdź Podczas zadawania znaków na górę
		Przytrzymanie	Przełączanie menu trybu/menu kamery Podczas zadawania znaków potwierdź
	MENU / MODE	Naciśnięcie	W dół
		Przytrzymanie	Wstecz
<b>KIEDYKOLWIEK</b>	RESET	Naciśnięcie spinką	Restartuj kamerę



## 4. IKONY NA WYŚWIETLACZU



## 5. PIERWSZE WŁĄCZENIE



- (A)** Włóż kartę microSD kartę zgodnie z rysunkiem na kamerze (konektory karty w kierunku wyświetlacza)
  - Używaj kart markowych klasy 10 i wyższej o pojemności do 64 GB
  - Kartę wyjmij tylko przy wyłączonej kamerze
  - Przed pierwszym użyciu kartę należy sformatować bezpośrednio w kamerze i co najmniej raz w miesiącu powtórzyć formatowanie w celu zapewnienia prawidłowego działania kamery
- (B)** Podłącz adapter do zapalniczki samochodowej i za pomocą kabla USB połącz go z mocowaniem kamery
  - Kamera jest przeznaczona do pracy tylko po podłączeniu do zasilania
  - Zamiast baterii kamera posiada super kondensator, który umożliwia zasilanie i ma kilkakrotnie dłuższą żywotność, niż klasyczna bateria
- (C)** Kamera włączy się automatycznie i zacznie nagrywać
  - W niektórych pojazdach należy najpierw przekręcić kluczyk w stacyjce
- (D)** Przed przyklejeniem mocowania do szyby dokonać podstawowego ustawienia kamery
  - Dla maksymalnego komfortu zaleca się do ustawienia użycie aplikacji WiFi – patrz część 8

## 6. PODSTAWOWE FUNKCJE

### NAGRYWANIE W PĘTLI

- Kamera automatycznie dzieli nagranie na krótsze pliki wideo, a w przypadku zapewnienia karty SD zacznie przepisywać najstarsze niechronione pliki przez nowe
- Dzięki temu nie musimy martwić się o wolne miejsce na karcie

### OCHRONA PLIKÓW

- Jeżeli chcesz chronić plik przed przepisaniem należy nacisnąć przycisk MENU/MODE w trakcie nagrywania lub wybrać Chronić w menu Trybu odtwarzania

### G-SENSOR

- Jeżeli G-sensor zarejestruje uderzenie, automatycznie ochroni aktualnie wykonywane nagrywanie przed przepisaniem
- Uwaga, w przypadku ustawienia wysokiej czułości i jeździe po nierównym terenie może dojść do samoistnego zabezpieczenia plików i całkowitego zapewnienia karty SD

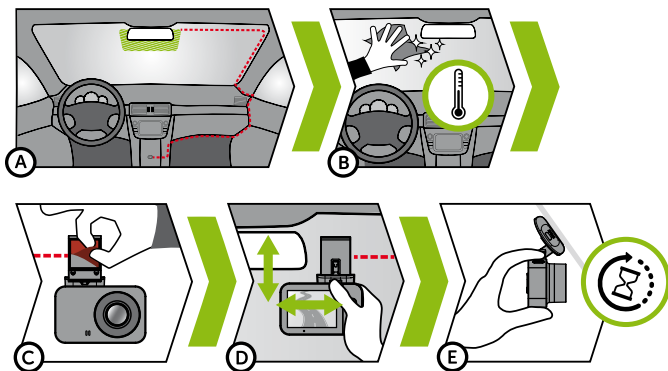
### DETEKCJA RUCHU

- Kamera rozpocznie automatyczne nagrywanie, jeśli zarejestruje ruch w polu widzenia obiektywu, a kiedy ruch ustanie to po ok. 10 sekundach zakończy nagrywanie
- Jeżeli zapis zostanie zakończony ręcznie lub wyłączymy kamerę, detekcja ruchu się dezaktywuje
- Funkcja służy do monitorowania zaparkowanego pojazdu, nie stosować w czasie jazdy
- Zastosowanie funkcji Detekcja ruchu wymaga włączonej kamery i podłączenia do zasilania

### TRYB PARKOWANIA

- Kamera rozpocznie automatyczne nagrywanie, jeżeli zarejestruje wstrząs pojazdu, a jeżeli ruch się nie powtórzy, to po ok. 30 sekundach zakończy nagrywanie i wyłączy się
- Zastosowanie funkcji Tryb parkowania wymaga włączonej kamery oraz podłączenia do zasilania

## 7. UMIESZCZENIE NA SZYBIE



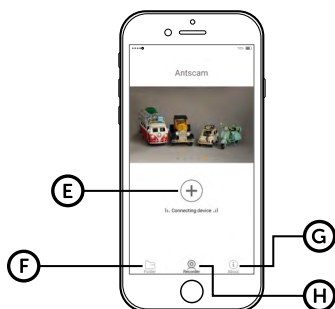
- (A) Idealnym miejscem na zamocowanie kamery samochodowej jest przestrzeń pomiędzy szybą przednią i lusterkiem wstecznym tak, aby nie zasłaniała widoku kierowcy
- (B) Upewnij się, że szyba w miejscu mocowania jest czysta i sucha
  - Idealna temperatura do klejenia wynosi 20°C – 40°C
- (C) Zdejmij folię z naklejki 3M na mocowaniu kamery
- (D) Przed przyklejeniem do szyby nakieruj włączoną kamerę tak, aby miała odpowiedni widok
- (E) Dociśnij naklejkę 3M do szyby i chwilę przytrzymaj

## 8. APLIKACJA WIFI



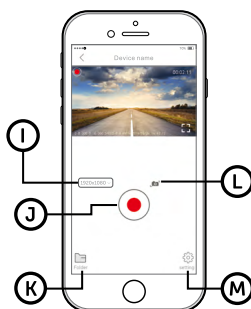
- (A) Wczytaj kod QR lub wyszukaj aplikację Antscam na App Store/Google Play
- (B) Zainstaluj aplikację w swoim smartfonie lub tablecie
- (C) Włącz WiFi w kamerze – menu kamery -> WiFi -> Włącz -> na wyświetlaczu kamery pojawi się nazwa sieci (SSID) i hasło (PWD)
- (D) Na telefonie/tablecie podłącz się do sieci WiFi z nazwą kamery, wpisz hasło (fabrycznie 12345678), uruchom aplikację Antscam i kliknij na przycisk „+” w celu podłączenia kamery

### OBŚŁUGA APLIKACJI ANTSCAM:



#### BEZ PODŁĄCZENIA

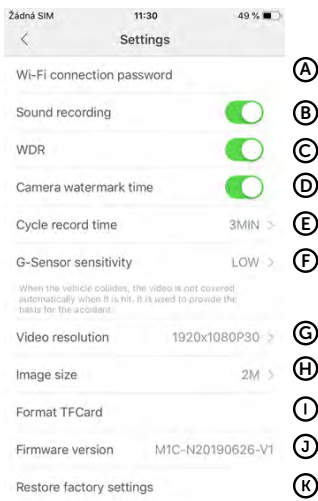
- (E) Podłącz kamerę
- (F) Pliki przeciągnięte do telefonu
- (G) Informacje
- (H) Kamera



#### PO PODŁĄCZENIU

- (I) Ustawienie rozdzielczości
- (J) Uruchom/zakończ nagrywanie
- (K) Pliki w kamerze
- (L) Sfotografuj
- (M) Ustawienie kamery

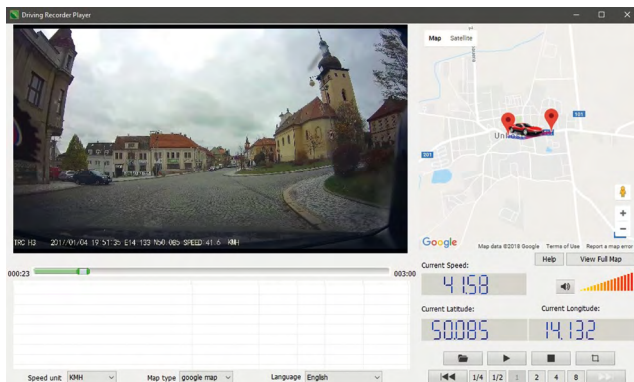
## USTAWIENIE KAMERY W APLIKACJI ANTSCAM



- (A) Hasło WiFi
- (B) Nagrywanie dźwięku
- (C) WDR (wide dynamic range)
- (D) Znacznik czasu
- (E) Nagrywanie w pętli
- (F) Czulość G-sensora
- (G) Rozdzielczość wideo
- (H) Rozdzielczość zdjęcia
- (I) Formatuj kartę
- (J) Wersja firmware
- (K) Ustawienie fabryczne

## 9. ODTWARZANIE NA PC

- (A) Wyjmij kartę Micro SD z wyłączonej kamery i włóż ją do komputera
  - W zależności od wyposażenia komputera bądź bezpośrednio, za pomocą adaptera Micro SD/SD lub adaptera Micro SD/USB (wchodzi w skład opakowania)
- (B) Otwórz folder dysku wymiennego i wgraj dowolny plik
  - Możesz użyć dowolnego zwykłego odtwarzacza wideo
- (C) Do odtwarzania filmów łącznie z danymi z opcyjnego modułu GPS użyj specjalnego odtwarzacza
  - Jednocześnie z nagraniem można wyświetlić prędkość, współrzędne GPS i trasę na mapie
  - Aplikacja jest dostępna pod adresem [http://truecam.com/download/M5W\\_player.zip](http://truecam.com/download/M5W_player.zip)



## 10. KOMPLETNE USTAWIENIE

<b>USTAWIENIE</b>	<b>OPIS</b>
<b>Rozdzielczość</b>	Ustawi rozdzielczość nagrania / zdjęcia Wyższa rozdzielczość = więcej szczegółów i większy plik 60 fps = 60 klatek na sekundę = płynniejsze nagranie
<b>Nagrywanie w pętli</b>	Ustawi długość poszczególnych pętli Dłuższa pętla = większy plik Nagrywanie w pętli można wyłączyć i w przypadku zapelnienia karty SD nagrywanie się wyłączy
<b>WDR</b>	Po włączeniu kamera wyrównuje jasność, jeżeli na obrazie są jednocześnie bardzo jasne i bardzo ciemne powierzchnie
<b>Jasność</b>	Ustawi ogólną jasność nagrania Kamera jednocześnie automatycznie reguluje jasność nagrania w zależności od warunków oświetleniowych
<b>Wykrywanie ruchu</b>	Włączy / wyłączy detekcję ruchu Więcej informacji o tej funkcji w rozdziale 6
<b>Tryb parkingowania</b>	Włączy / wyłączy tryb parkingowy Więcej informacji o tej funkcji w rozdziale 6
<b>Nagraj audio</b>	Włączy / wyłączy mikrofon Istnieje również możliwość przełączania przytrzymując przycisk MENU / MODE podczas nagrywania
<b>Czułość G-Sensora</b>	Ustawi czułość G-Sensora Więcej informacji o tej funkcji w rozdziale 6
<b>Znacznik czasu</b>	Wyświetli godzinę i datę na wideo
<b>WiFi</b>	Włączy / Wyłączy WiFi
<b>Data/czas</b>	Ustawi datę i godzinę Przytrzymując przycisk OK / POWER = potwierdź Przytrzymując przycisk MENU / MODE = anuluj Podczas parowania kamery z inteligentnym urządzeniem przez WiFi godzina i data zostaną ustawione automatycznie
<b>Nazwisko kierowcy</b>	Ustawi dowolny tekst na nagraniu Przytrzymując przycisk OK / POWER = potwierdź Przytrzymując przycisk MENU / MODE = anuluj
<b>Wygaszacz ekranu</b>	Podczas wygaszacza ekranu kamera nadal nagrywa Aby wyjść z wygaszacza nacisnąć dowolny przycisk
<b>Głośność</b>	Ustawi głośność wszystkich dźwięków kamery
<b>Dźwięki systemowe</b>	Włączy / wyłączy dźwięk przycisków oraz włączenie / wyłączenie
<b>Język</b>	Ustawi język menu kamery
<b>Format</b>	Formatuje dane na karcie pamięciowej
<b>Ustawienie fabryczne</b>	Ustawi kamerę do ustawienia fabrycznego
<b>Wersja</b>	Wyświetli zainstalowaną wersję FW

## 11. SPECYFIKACJA

<b>Rozdzielczość wideo</b>	Full HD (1920×1080) @ 30 fps HD (1280×720) @ 60 fps HD (1280×720) @ 30 fps
<b>Kąt widzenia</b>	150°
<b>Format wideo</b>	MP4, kompresja H.264
<b>Rozdzielczość zdjęcia</b>	Do 12 Mpx
<b>Format zdjęcia</b>	JPEG
<b>Dźwięk</b>	Zabudowany mikrofon z możliwością wyłączenia
<b>Wyświetlacz LCD</b>	2" 320×240
<b>Pamięć</b>	Micro SD do 64 GB
<b>Konektywność</b>	WiFi
<b>Funkcje</b>	Uchwyt magnetyczny, WDR, tryb parkowania, detekcja ruchu, G-sensor, nagrywanie w pętli, zabezpieczenie plików, automatyczne włączenie, magnetyczny moduł GPS z detekcją radarów (opcjonalnie), magnetyczny filtr CPL (opcjonalnie)
<b>Języki menu</b>	Polski, czeski, angielski, niemiecki, słowacki, węgierski
<b>Zasilanie</b>	Super kondensator
<b>Wymiary</b>	69 × 45 × 34 mm

## 12. ZASADY BEZPIECZEŃSTWA I OSTRZEŻENIA

- › Nie obsługiwać kamery podczas prowadzenia pojazdu.
- › Szyba przednia pokryta jakąkolwiek folią i ogrzewana mogą ograniczać jakość nagrywania oraz sygnał modułu GPS (opcjonalnie).
- › Nie wystawiać kamery na ekstremalne temperatury – w szczególności na długi okres bezpośredniego działania słońca.
- › Upewnić się, że przepisy danego kraju, w którym używamy pojazdu, umożliwiają używanie kamer do nagrywania.
- › Aby uniknąć zranienia kamera podczas jazdy musi być odpowiednio zamocowana i nie może blokować elementów bezpieczeństwa – szczególnie poduszek powietrznych.

### ŚRODKI OSTROŻNOŚCI DOTYCZĄCE BEZPIECZEŃSTWA

- › Używaj wyłącznie ładowarki dołączonej w zestawie podstawowym kamery. Użycie innej ładowarki może spowodować jej nieprawidłowe działanie i stanowić niebezpieczeństwo.
- › Nie używaj ładowarki w miejscach o dużej wilgotności. Nie dotykaj ładowarki mokrymi rękami lub kiedy stoisz w wodzie.
- › Jeśli używasz ładowarki do zasilania urządzenia lub ładowania baterii, zapewnij odpowiednią wentylację jego otoczenia. Nie przykrywaj ładowarki papierem ani innymi przedmiotami, aby nie ograniczać jego chłodzenia. Nie używaj ładowarki, gdy znajduje się ona w torbie do przenoszenia.
- › Ładowarkę podłączaj jedynie do odpowiedniego źródła zasilania. Wymagania dotyczące napięcia znajdują się na obudowie i/lub opakowaniu produktu.
- › Nie używaj ładowarki z uszkodzonym przewodem. W przypadku uszkodzenia nie podejmuj się jej samodzielnej naprawy!
- › W razie nadmiernego nagrzewania urządzenia, natychmiast odłącz je od zasilania energii.
- › Urządzenie należy ładować pod nadzorem.
- › Opakowanie zawiera małe elementy, które mogą być niebezpieczne dla dzieci. Zawsze przechowuj produkt w miejscu niedostępnym dla dzieci. Torebki, jak i liczne drobne elementy, które się w nich znajdują, mogą spowodować zadławienie w przypadku ich połknięcia.

## **ŚRODKI OSTROŻNOŚCI DOTYCZĄCE ZASILANIA**

- W celu ładowania korzystaj wyłącznie z ładowarki, która jest przeznaczona do danego typu kamery.
- Wykorzystuj standardowe kable do zasilania. W innym przypadku urządzenie mogłoby ulec uszkodzeniu.
- Nie korzystaj z jakiegokolwiek uszkodzonego adaptera sieciowego lub ładowarki.
- Zasilanie powinno odbywać się w temperaturze pokojowej. Nigdy nie ładuj w temperaturze poniżej 0 °C lub powyżej 40 °C.
- Nie wystawiaj ładowarki na działanie wilgoci, wody, deszczu, śniegu lub innego deszczu.
- Nigdy nie pozostawiaj kamery bez nadzoru, gdy włączone jest zasilanie. Zwarcie lub przeładowanie może spowodować wyciek agresywnych chemikaliów, wybuch i pożar!
- W przypadku nadmiernego nagrzania aparatu natychmiast odłącz ładowarkę.
- Nie umieszczaj ładowarki podczas ładowania lub w pobliżu łatwopalnych przedmiotów. Uważaj na zasłony, dywany, obrusy itp.

## **KONSERWACJA URZĄDZENIA**

- Konserwacja urządzenia zapewni bezproblemowe działanie i zmniejszy niebezpieczeństwo uszkodzenia.
- Chroń urządzenie przed nadmierną wilgocią i ekstremalnymi temperaturami oraz unikaj zbyt długiego wystawiania go na działanie bezpośredniego światła słonecznego lub silnego światła ultrafioletowego.
- Chroń urządzenie przed upuszczeniem lub narażeniem na silne uderzenia.
- Nie wystawiaj urządzenia na działanie nagłych i dużych zmian temperatury. Mogłoby to spowodować nagromadzenie wilgoci wewnątrz urządzenia, a w rezultacie jego uszkodzenie. W przypadku nagromadzenia wilgoci, zaczekaj do całkowitego wyschnięcia urządzenia przed jego użyciem.
- Powierzchnię ekranu łatwo zarysować. Nie dopuszczaj do kontaktu powierzchni ekranu z ostrymi przedmiotami.
- Nigdy nie czyść urządzenia, kiedy jest uruchomione. Do wycierania ekranu i zewnętrznych części urządzenia używaj miękkiej, niepozostawiającej włókien szmatki. Do czyszczenia ekranu nie używaj ręczników papierowych.
- Nie podejmuj prób demontażu, naprawy ani modyfikacji urządzenia. Demontaż, modyfikacje lub próba naprawy mogą spowodować uszkodzenie urządzenia i utratę gwarancji, a nawet obrażenia ciała oraz uszkodzenie własności.
- Nie przechowuj ani nie przenoś łatwopalnych cieczy, gazów lub materiałów wybuchowych w miejscu przechowywania urządzenia, jego części lub akcesoriów.
- Aby nie stwarzać okazji do kradzieży, nie zostawiaj urządzenia ani akcesoriów na widoku w pojeździe pozbawionym nadzoru.
- Przegrzanie może spowodować uszkodzenie urządzenia.

## **POZOSTAŁE INFORMACJE**

1) Symbol przekreślonego kontenera zamieszczony na produkcie lub w dokumentacji towarzyszącej oznacza, że po zakończeniu eksploatacji nie należy pozbywać się urządzenia elektrycznego lub elektronicznego wraz z odpadami komunalnymi. Produkt należy dostarczyć do odpowiedniego punktu zbiórki urządzeń elektrycznych i elektronicznych przeznaczonych do recyklingu w celu jego właściwej utylizacji. W miejscu zbiórki produkt zostanie przyjęty bezpłatnie. Dzięki prawidłowej utylizacji tego produktu pomagasz zachować cenne zasoby naturalne oraz przeciwdziałasz potencjalnemu negatywnemu wpływowi na środowisko oraz ludzkie zdrowie, co może być skutkiem niewłaściwej utylizacji odpadów. Aby uzyskać więcej informacji, prosimy o kontakt z lokalnymi władzami lub w najbliższym punkcie zbiórki. Pozbywanie się odpadów tego rodzaju w nieprawidłowy sposób jest zagrożone karą przewidzianą w odpowiednich przepisach państwowych. Informacja dla użytkowników, dotycząca utylizacji sprzętu elektrycznego i elektronicznego (w przypadku zastosowania w przedsiębiorstwach i firmach): Szczegółowych informacje na temat prawidłowej utylizacji sprzętu elektrycznego i elektronicznego, możesz uzyskać u swojego sprzedawcy lub dostawcy. Informacja dla użytkowników dotycząca utylizacji spr-

zetu elektrycznego i elektronicznego w państwach spoza Unii Europejskiej: Powyższy symbol (przekreślonego kontenera) obowiązuje wyłącznie w Unii Europejskiej. Szczegółowe informacje na temat prawidłowej użycia sprzętu elektrycznego i elektronicznego możesz uzyskać w swoim urzędzie lub u sprzedawcy urządzenia. Wszystko zostało określone za pomocą symbolu przekreślonego kontenera na produkcie, opakowaniu lub w dokumentacji towarzyszącej.

2) Roszczenia gwarancyjne dotyczące urządzeń składaj w miejscu zakupu. W przypadku problemów technicznych lub pytań, skontaktuj się ze sprzedawcą, który poinformuje cię o dalszym postępowaniu. Należy dotrzymać zasady pracy z urządzeniami elektrycznymi, a zasilający przewód elektryczny podłączać tylko do odpowiednich gniazdek elektrycznych. Użytkownik nie jest upoważniony do demontowania urządzenia ani wymiany jakiegokolwiek jego części. Przy otwarciu lub usunięciu osłon grozi niebezpieczeństwo porażenia prądem elektrycznym. Niewłaściwy montaż urządzenia i jego ponowne połączenie może również spowodować porażenie prądem elektrycznym.

Okres gwarancyjny na produkty to 24 miesiące, jeżeli nie zostało ustalone inaczej. Okres gwarancyjny baterii to 24 miesiące, natomiast okres gwarancyjny jej wydajności to 6 miesięcy.

### **DEKLARACJA ZGODNOŚCI**

Spółka elem6 s.r.o. niniejszym oświadcza, że wszystkie urządzenia TrueCam M5 są zgodne z podstawowymi wymaganiami i pozostałymi odpowiednimi regulacjami Dyrektywy 2014/53/EU i 2014/30/EU. Produkty są przeznaczone do sprzedaży w Niemczech, Republice Czeskiej, na Słowacji, w Polsce, na Węgrzech oraz w dalszych krajach EU. Deklarację zgodności można pobrać ze strony internetowej: [www.truecam.com/support/doc](http://www.truecam.com/support/doc).

- Pasma częstotliwości (pasmach częstotliwości) w którym (w których) urządzenie pracuje: 2.400–2.4835 GHz
- Maksymalny poziom mocy wysyłany w paśmie częstotliwości (w pasmach częstotliwości), w którym (w których) radiowe urządzenie działa: 10,2 dBm

### **PRODUCENT**

elem6 s.r.o., Braškovská 308/15, 16100 Praha 6  
[www.truecam.com](http://www.truecam.com)

Marka TrueCam® jest zastrzeżonym znakiem towarowym, a jej produkty chronione są wzorem przemysłowym.

Wszelkie prawa zastrzeżone.

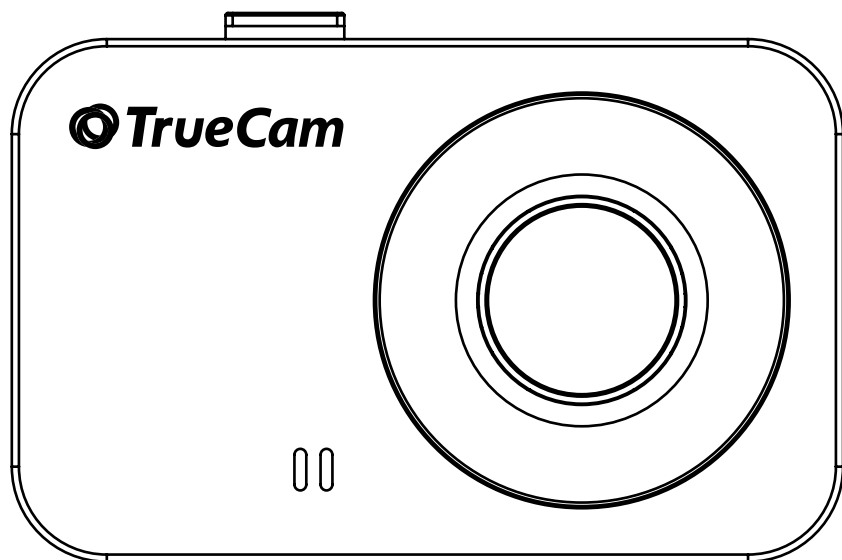




# M5 WiFi

---

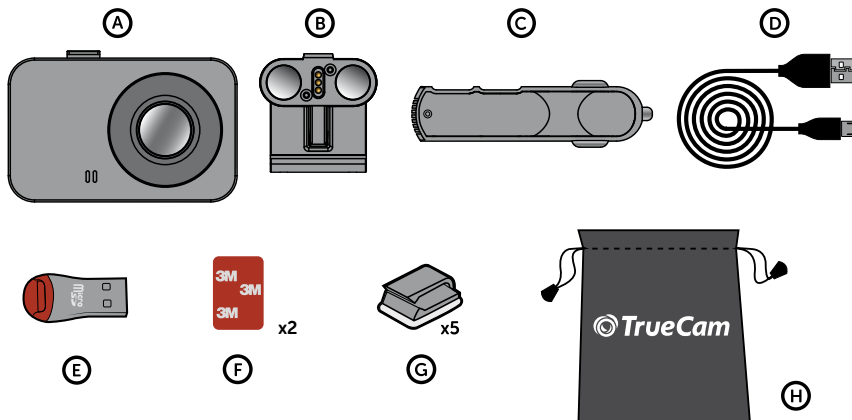
Autós menetrögzítő kamera WiFi-vel  
és mágneses dizájnnal



## TARTALOM

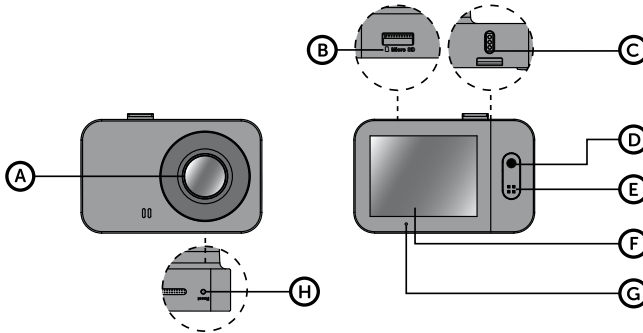
1. A csomag tartalma .....	2
2. Ismerkedés a kamerával.....	3
3. Kezelés .....	3
4. Ikonok a kijelzőn.....	4
5. Első bekapcsolás .....	4
6. Alapfunkciók.....	5
7. Elhelyezés az üvegen .....	5
8. WiFi alkalmazás.....	6
9. Átjátszás a számítógépre .....	7
10. Teljes beállítás.....	8
11. Leírás.....	9
12. Biztonsági alapelvek és figyelmeztetések .....	9

### 1. A CSOMAG TARTALMA



- A** Autós menetrögzítő kamera TrueCam M5 WiFi
- B** Mágneses tartókonzol 3M matricával
- C** Adapter az autó szivargyújtójába két USB kimenettel
- D** 3m hosszú Mikro USB töltőkábel
- E** Micro SD/USB adapter a fájlok átviteléhez a számítógépre
- F** Tartalék 3M matrica a tartókonzol üvegre történő ismételt ráragasztásához (2x)
- G** 3M tartó a töltőkábel rögzítéséhez (5x)
- H** Védőcsomagolás a tároláshoz és a szállításhoz

## 2. ISMERKEDÉS A KAMERÁVAL



- (A)** Széles látószögű objektív  
**(B)** Memóriakártya-nyílás  
**(C)** A konzol mágneses bemenete  
**(D)** OK / POWER gomb  
**(E)** MENU / MODE gomb  
**(F)** 2.0" kijelző  
**(G)** Állapotjelző LED  
 (világít = a kamera bekapcsolva, villog = felvétel)  
**(H)** RESET gomb

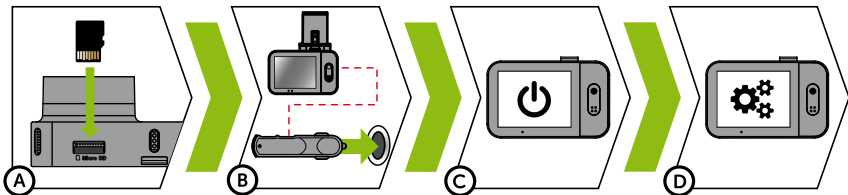
## 3. KEZELÉS

<b>VIDEÓ ÜZEMMÓD</b>	OK / POWER	Megnyomás	A felvétel indítása/befejezése	
		Lenyomva tartás	A kamera bekapcsolása/kikapcsolása	
	MENU / MODE	Megnyomás	Menü megnyitása Megvédi a felvételt felvétel közben	
		Lenyomva tartás	Üzem mód váltás Felvétel közben a hangfelvétel bekapcsolása/kikapcsolása	
<b>FOTÓ ÜZEMMÓD</b>	OK / POWER	Megnyomás	Fénykép készítése	
		Lenyomva tartás	A kamera bekapcsolása/kikapcsolása	
	MENU / MODE	Megnyomás	Menü megnyitása	
		Lenyomva tartás	Üzem mód váltás	
<b>LEJÁTSZÓ ÜZEMMÓD</b>	OK / POWER	Megnyomás	Lejátszás indítása/megszakítása Gyors lejátszás leállítása	
		Lenyomva tartás	A kamera bekapcsolása/kikapcsolása Lejátszásakor kapcsolja át a lejátszási sebességet	
		Megnyomás	Menü megnyitása	
	MENU / MODE	Lenyomva tartás	Üzem módváltás Lejátszás közben visszatérés a videó kiválasztáshoz	
		OK / POWER	Megnyomás	Jóváhagyás A karakterek beírásakor felfelé
			Lenyomva tartás	Üzem mód menü/kamera menü váltása Jóváhagyás a karakterek beírásakor
<b>MENÜ</b>	MENU / MODE	Megnyomás	Le	
		Lenyomva tartás	Vissza	
<b>BÁRMIKOR</b>	RESET	Lenyomás klippel	Kamera újraindítása	

## 4. IKONOK A KIJELEZŐN

**(A)** Üzemmód  
**(B)** A felvétel elkezdődött  
**(C)** WDR (wide dynamic range)  
**(D)** Megmaradó felvételi idő / az aktuális felvétel hossza  
**(E)** Felbontás  
**(F)** Parkolási mód  
**(G)** Memóriakártya behelyezve  
**(H)** Áramellátás  
**(I)** Idő  
**(J)** Dátum  
**(K)** Gépkocsivezető neve  
**(L)** WiFi kikapcsolva/ bekapcsolva/ csatlakoztatva  
**(M)** Audio felvétel bekapcsolva/ kikapcsolva  
**(N)** Mozgásérzékelés  
**(O)** A végtelenített felvétel hossza

## 5. ELSŐ BEKAPCSOLÁS



- (A)** Helyezze be a micro SD-kártyát a kamerán látható kép szerint (a kártya csatlakozóival a kijelző felé)
- Használjon 10-es, vagy magasabb osztályú márkás kártyákat 64 GB kapacitással.
  - A kártyát csak a kikapcsolt kamerából vegye ki.
  - Az első használat során a kártyát közvetlenül a kamerában formázza, és legalább havonta egyszer ismétlje meg a formázást, hogy a kamera megfelelően működjön
- (B)** Csatlakoztassa az adaptert az autó szivargyújtójához és az USB-kábel segítségével csatlakoztassa a kamera tartókonzolljához
- A fényképezőgép csak akkor működik, ha csatlakozik a tápegységhez
  - Elem helyett a kamera szuperkondenzátort tartalmaz, amely biztosítja az áramellátást, és élettartama többszöröse a hagyományos elem élettartamának
- (C)** A kamera automatikusan bekapcsol, és elkezd a felvételt.
- Egyes járműveknél először el kell fordítani az indítókulcsot
- (D)** Mielőtt a tartókonzolt felragasztja az üvegre, végezze el a kamera alapvető beállítását
- A maximális kényelem érdekében javasoljuk a WiFi alkalmazás használatát a beállításhoz – lásd 8. fejezetet

## 6. ALAPFUNKCIÓK

### VÉGTELENÍTTET FELVÉTEL

- A fényképezőgép automatikusan felosztja a felvételt rövidebb videófájlokra, és amikor az SD-kártya megtelt, elkezd felülírni a legrégebbi, nem védett fájlokat újakkal
- Ennek köszönhetően nem kell gondoskodni új tárhelyről a kártyán

### FÁJLVÉDELEM

- Ha védeni szeretné a fájlt a felülírás ellen, nyomja meg a „MENU/MODE” gombot felvétel közben, vagy válassza a Lejátszási üzemmód menüben a Védelmet.

### G-ÉRZÉKELŐ

- Ha a G-érzékelő ütközést észlel, automatikusan megvédi az aktuálisan rögzített videót a felülírásról
- Vigyázat, nagy érzékenység beállítása és egyenetlen felületen történő vezetés esetén önkéntelen fájlvédelem következhet be, amely az SD-kártya betelését eredményezheti

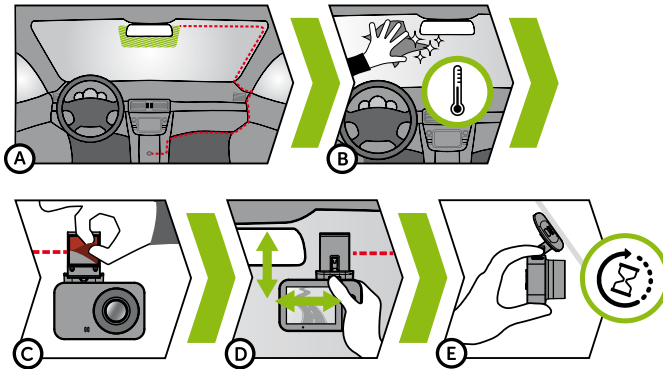
### MOZGÁSÉRZÉKELÉS

- A kamera automatikusan elkezd a felvételt, ha az objektív látómezőjében mozgást észlel, és ha a mozgás leáll, körülbelül 10 másodperc múlva leállítja a felvételt
- Ha kézzel állítja le a felvételt, vagy kikapcsolja a kamerát, a mozgásérzékelés inaktíválódik.
- A funkció a leparkolt jármű megfigyelésére szolgál, ne használja vezetés közben
- A Mozgásérzékelés funkció használatához a kamerát be kell kapcsolni és tápfeszültség alá kell helyezni

### PARKOLÓ ÜZEMMÓD

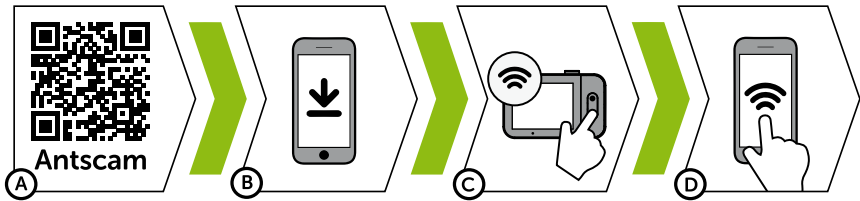
- A kamera automatikusan elkezd a felvételt, ha az objektív látómezőjében mozgást észlel, és ha a mozgás leáll, körülbelül 30 másodperc múlva leállítja a felvételt, és kikapcsol
- A Parkoló üzemmód funkció használatához a kamerát ki kell kapcsolni és tápfeszültség alatt kell tartani

## 7. ELHELYEZÉS AZ ÜVEGEN



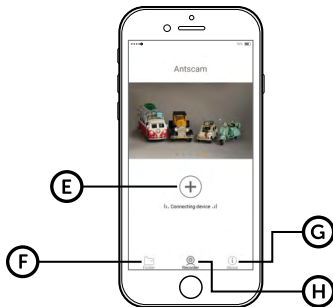
- (A) A kamera felerősítésének ideális helye a szélvédő és a visszapillantó tükör közötti tér, hogy ne akadályozza a vezetőt a kilátásban
- (B) Ügyeljen rá, hogy az üveg a rögzítés helyén tiszta és száraz legyen
  - A ragasztáshoz az ideális hőmérséklet 20°C – 40°C
- (C) Vegye le a fóliát a fényképezőgép tartókonzolván lévő 3M matricáról
- (D) Mielőtt az üveghez ragasztaná, állítsa a bekapcsolt kamerát olyan irányba, hogy megfelelő látószöge legyen
- (E) Nyomja rá az üvegre a 3M matricát és tartsa egy ideig

## 8. WIFI ALKALMAZÁS



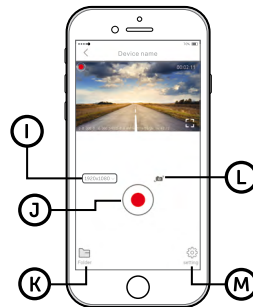
- (A) Töltse fel a QR-kódot vagy keresse meg az Antscam alkalmazást az App Store/Google Play alkalmazásban
- (B) Telepítse az alkalmazást okostelefonjára vagy a táblagépére
- (C) Kapcsolja be a WiFi-t a kamerán – Kamera menü -> WiFi -> Bekapcsolni -> A hálózati név (SSID) és a jelszó (PWD) megjelenik a kamera kijelzőjén
- (D) A telefonon / táblagépen csatlakozzon a WiFi hálózathoz a kamera nevével, adja meg a jelszót (gyári 12345678), indítsa el az Antscam alkalmazást, és kattintson a „+” gombra a kamera csatlakoztatásához

### ANTSCAM ALKALMAZÁS VEZÉRLÉSE:



#### HA NINCS KAPCSOLAT

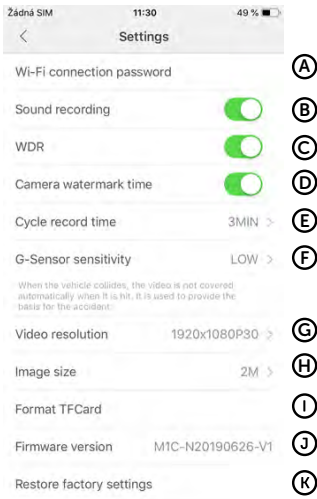
- (E) Csatlakoztassa a kamerát
- (F) A telefonra feltöltött fájlok
- (G) Információ
- (H) Kamera



#### HA VAN KAPCSOLAT

- (I) Felbontás beállítása
- (J) A felvétel indítása/befejezése
- (K) Fájlok a kamerában
- (L) Fénykép készítés
- (M) Kamera beállítása

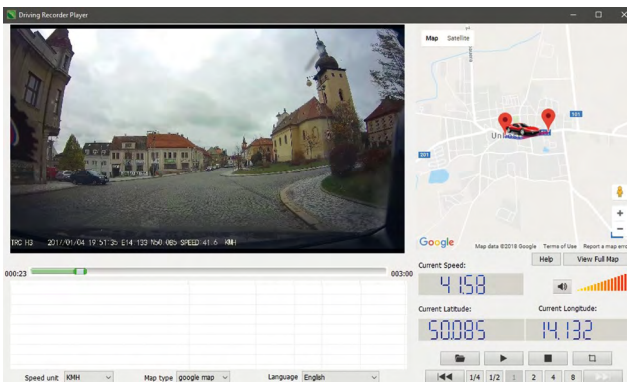
## A KAMERA BEÁLLÍTÁSA ANTSCAM ALKALMAZÁSBAN



- (A) WiFi jelszó
- (B) Audio felvétel
- (C) WDR (wide dynamic range)
- (D) Dátum kijelzése
- (E) Végtelenített felvétel
- (F) G-szenzor érzékenysége
- (G) Videófelbontás
- (H) Fényképfelbontás
- (I) Kártya formázása
- (J) Firmware verzió
- (K) Eredeti beállítások

## 9. ÁTJÁTSZÁS A SZÁMÍTÓGÉPRE

- (A) Vegye ki a Micro SD kártyát a kikapcsolt kamerából, és helyezze be a számítógépbe
  - A számítógép felszereltségétől függően közvetlenül a Micro SD/SD adapter vagy a Micro SD/USB adapter segítségével (a csomag része)
- (B) Nyissa meg a cserélhető lemez mappáját, és játssza át a tetszőleges fájl
  - Használhat bármilyen szokásos videolejátszót
- (C) A videóok átjátszására, beleértve a kiegészítőként megvásárolható GPS-modul adatait is, használjon speciális lejátszót
  - A videóval egyidejűleg megtekintheti a sebességadatokat, a GPS koordinátákat és az útvonalat a térképen
  - Az alkalmazás elérhető a [http://truecam.com/download/M5W\\_player.zip](http://truecam.com/download/M5W_player.zip) címen



## 10. TELJES BEÁLLÍTÁS

BEÁLLÍTÁS	LEÍRÁS
<b>Felbontás</b>	Beállítja a videó/fotó felbontását Nagyobb felbontás = több részlet és nagyobb fájl 60 fps = 60 felvétel másodpercenként = folyamatosabb videó
<b>Végtelenített felvétel</b>	Beállítja az egyes hurkok hosszát Hosszabb hurok = nagyobb fájl A végtelenített felvétel ki is kapcsolható, és a felvétel befejeződik, ha az SD-kártya megtelt
<b>WDR</b>	Bekapcsoláskor a fényképezőgép kompenzálja a fényerőt, ha nagyon világos és egyúttal nagyon sötét területek vannak a képen
<b>Fényerő</b>	Beállítja a felvétel teljes fényerejét Ugyanakkor a fényképezőgép automatikusan szabályozza a felvétel fényerejét, a világítási feltételeknek megfelelően
<b>Mozgásérzékelés</b>	Be- és kikapcsolja a mozgásérzékelést További információ erről a funkcióról a 6. fejezetben
<b>Parkolási mód</b>	Be- és kikapcsolja a parkolási üzemmódot További információ erről a funkcióról a 6. fejezetben
<b>Audio felvétel</b>	Be- és kikapcsolja a mikrofont Felvétel közben a MENU / MODE gomb lenyomásával is válthat
<b>G-Szenzor érzékenysége</b>	Beállítja a G-Szenzor érzékenységet További információ erről a funkcióról a 6. fejezetben
<b>Dátum kijelzése</b>	Megjeleníti az időt és a dátumot a videón
<b>WiFi</b>	Bekapcsolja/Kikapcsolja a WiFi-t
<b>Dátum / idő</b>	Tetszőleges szöveget állít be a videón Tartsa lenyomva az OK / POWER gombot = megerősítés Tartsa lenyomva a MENU / MODE gombot = törlés
<b>Gépkocsivezető neve</b>	Tetszőleges szöveget állít be a videón Tartsa lenyomva az OK / POWER gombot = megerősítés Tartsa lenyomva a MENU / MODE gombot = törlés
<b>Képernyővédő</b>	A képernyővédővel a kamera továbbra is rögzít A képernyővédőből való kilépéshez nyomja meg bármelyik gombot
<b>Hangerő</b>	Beállítja a kamera valamennyi hangjának hangerejét
<b>A rendszer hangja</b>	Bekapcsolja/kikapcsolja a bekapcsolás/kikapcsolás gombok hangját
<b>Nyelv</b>	Beállítja a kamera menüjének nyelvét
<b>Formázni</b>	Formázza az adatokat a memóriakártyán
<b>Eredeti beállítások</b>	Beállítja a fényképezőgép gyári beállításait
<b>Firmware verzió</b>	Megjeleníti a telepített FW verziót



## 11. LEÍRÁS

<b>Videófelbontás</b>	Full HD (1920×1080) @ 30 fps HD (1280×720) @ 60 fps HD (1280×720) @ 30 fps
<b>Felvételi szög</b>	150°
<b>Videó formátuma</b>	MP4, tömörítés H.264
<b>Fényképfelbontás</b>	Akár 12 Mpix
<b>Fénykép formátuma</b>	JPEG
<b>Hang</b>	Kikapcsolható beépített mikrofon
<b>LCD kijelző</b>	2" 320×240
<b>Memória</b>	Micro SD 64 GB-ig
<b>Összekapcsolhatóság</b>	WiFi
<b>Funkció</b>	Mágneses konzol, WDR, parkolási mód, mozgásérzékelés, G-szenzor, végtelenített felvétel, fájlvédelem, automatikus indítás, mágneses GPS modul radarérzékeléssel (opcionális), mágneses CPL szűrő (opcionális)
<b>Menü nyelvek</b>	Magyar, cseh, angol, német, szlovák, lengyel
<b>Tápellátás</b>	Szuperkondenzátort
<b>Méret</b>	69 × 45 × 34 mm

## 12. BIZTONSÁGI ALAPELVEK ÉS FIGYELMEZTETÉSEK

- › Ne kezelje a kamerát vezetés közben.
- › A fóliával bevont szélvédő és a fűtött üveg csökkentheti a felvételi minőséget és a GPS modul jelét (opcionális).
- › Ne tegye ki a fényképezőgépet szélsőséges hőmérsékleteknek - különösen hosszabb ideig a közvetlen napfénynek.
- › Győződjön meg arról, hogy a jármű üzemeltetésének helye szerinti ország jogszabályai lehetővé teszik-e a felvevő kamerák használatát.
- › A sérülés elkerülése érdekében a fényképezőgépet vezetés közben mindig tartsa a tartókonzokban, és nem blokkolhatja a biztonsági funkciók – különösen a légzsákok – útját.

### BIZTONSÁGI FIGYELMEZTETÉS

- › Kizárólag a készülékhez kapott töltőt használja, más töltő használata hibát és/vagy veszélyt okozhat.
- › Ne használja a töltőt nedves környezetben. Ne érintse meg a töltőt, ha vizes a keze, vagy a lába.
- › Ne takarja le a töltőt használat közben, biztosítson megfelelő szellőzést körülötte.
- › Megfelelő csatlakozóba dugja be a töltőt. A megfelelő volt érték megtalálható a csomagoláson.
- › Ne használja a töltőt, ha sérülést lát rajta, ne javítsa saját kezűleg.
- › Ha túlmelegedést tapasztalna, húzza ki a töltőt a csatlakozóból.
- › Az eszközt csak felügyelet mellett töltsse!
- › A csomagolás apró darabkákat tartalmaz, amelyek gyermekek számára veszélyt jelenthetnek. A terméket mindig tartsa a gyermekektől elzárva. A zacskók, illetve a bennük található darabkák lenyelése fulladást okozhat.

### BIZTONSÁGI UTASÍTÁSOK AZ ÁRAMELLÁTÁSHOZ

- › Csak az ilyen típusú fényképezőgép töltésére tervezett töltőt használja.
- › A feltöltés céljából használjon szabványos kábelt, ellenkező esetben a készülék károsodhat.
- › Ne használjon sérült töltőt vagy hálózati adaptert.
- › Teljesítmény szobahőmérsékleten, soha ne töltsen 0° C alatt vagy 40° C felett.
- › Győződjön meg róla, hogy a töltő nem érintkezik nedvességgel, és nem érintkezik folyadékkal, esővel vagy hóval.

- › Soha ne hagyja felügyelet nélkül a fényképezőgépet, a rövidzárlat vagy a véletlen túlterhelés miatt agresszív vegyi anyagok szivároghatnak, felrobbanhatnak, vagy tüzet okozhatnak!
- › A fényképezőgép túlzott fűtése esetén azonnal húzza ki a töltőt.
- › Töltés közben ne helyezze a töltőt gyúlékony tárgyakra vagy azok közelébe. Vigyázz a függönyökre, a szőnyegekre, a területre stb.!

## **A KÉSZÜLÉK GONDOZÁSA**

- › A megfelelő készülék használat biztosítja a hibamentes működést és csökkenti a sérülés veszélyét.
- › Tartsa távol erős nedvességtől és extrém hőmérsékletektől. Ne tegye ki tartósan erős napfénynek vagy UV sugárzásnak.
- › Ne dobja le vagy tegye ki rázkódásnak.
- › Ne tegye ki hirtelen és ismétlődő hőmérsékletváltozásnak, ez nedvesség lecsapódást okozhat a készülék belsejében, ami tönk्रे teheti a készüléket. Nedvesség lecsapódás esetén használat előtt, hagyja, hogy kiszáradjon a készülék.
- › A kijelző könnyen megkarcolódhat. Kerülje az érintkezést éles tárgyakkal.
- › Ne tisztítsa a készüléket bekapcsolt állapotban. Használjon finom törlőruhát a kijelző, valamint a külső letörlésére. Ne használjon papír törlőt a kijelzőhöz.
- › Ne próbálja meg szétszedni, javítani, módosítani a készüléket. Szétszedés, módosítás vagy javítási kísérlet kárt okozhat a készülékben, sérülést, anyagi kárt okozhat és megszünteti a garanciát.
- › Ne tároljon éghető folyadékokat, gázokat és robbanásveszélyes anyagokat a készülék, alkatrészei vagy kiegészítői mellett.
- › Ne hagyja a készüléket és tartozékait szem előtt a leparkolt autóban.
- › Túlmelegedés károsíthatja a készüléket.

## **TOVÁBBI TÁJÉKOZTATÁS**

1) Háztartások részére: A terméken vagy kísérő dokumentációban lévő jelölés (áthúzott kuka) azt jelenti, hogy az elektromos vagy elektronikus terméket az életciklusa végén külön gyűjtőbe kell kidobni, nem szabad a háztartási hulladékba rakni. A termék megfelelő likvidálásával segíti megőrizni az értékes természeti forrásokat és segíti megelőzni az esetleges negatív hatásokat a környezetre és emberi egészségre, amit a hulladék nem megfelelő likvidálása okozhatna. További részletekért forduljon a helyi hatóságokhoz vagy a legközelebbi gyűjtőhelyre. A termék nem megfelelő likvidálása miatt a nemzeti törvények értelmében bírság is kiszabható. Tájékoztató az elektromos vagy elektronikus termékek likvidálásával kapcsolatban az Európai Közösségen kívüli államokban élő felhasználók részére: A terméken látható jelölés (áthúzott kuka) csupán az Európai tagállamokban érvényes. Az elektromos és elektronikus termékek megfelelő likvidálásával kapcsolatban kérjen részletes tájékoztatást a helyi hatóságoktól vagy a termék értékesítőjétől. Mindent kifejez az áthúzott kuka jelölése a terméken, csomagoláson vagy nyomtatott dokumentumokon.

2) A berendezés garanciális javítás igényét érvényesítse a forgalmazónál. Műszaki problémák és kérdések esetén lépjen kapcsolatba az értékesítővel, aki tájékoztatja Önt a további lépésekről. Tartsa be az elektromos berendezésekre vonatkozó előírásokat. A felhasználó nem jogosult a berendezés szétszerelésére sem bármely részének cseréjére. Amennyiben a borítást felnyitja vagy eltávolítja, az áramütés veszélyének teszi ki magát. A berendezés nem megfelelő összerakása és ismételt csatlakoztatása esetén is áramütés veszélyének teszi ki magát.

Eltérő rendelkezés hiányában a termékek jótállási időszaka 24 hónap. Az akkumulátorra 24 hónap, a kapacitására 6 hónap a garancia.

## **MEGFELELŐSÉGI NYILATKOZAT**

Az elem6 s.r.o. ezúton kijelenti, hogy az összes TrueCam M5 készülék megfelel az 2014/53/EU és 2014/30/EU szabályozásban meghatározott alapfeltételeknek és az ezekhez kapcsolódó rendelkezéseknek. A termékek korlátozás nélkül forgalmazandók Németországban, Csehországban, Szlovákiában, Lengyelországban, Magyarországon, illetve az Európai Unió többi tagországában. A megfelelőségi nyilatkozat a [www.truecam.com/support/doc](http://www.truecam.com/support/doc) weboldaltól tölthető le.

- A rádiókészülék(ek) a következő frekvenciasáv(ok)ban működnek: 2.400–2.4835 GHz
- A frekvenciasáv(ok)ban sugárzott maximális rádiófrekvencia, amelyben a rádiókészülék üzemel: 10,2 dBm

## **GYÁRTÓ**

elem6 s.r.o., Braškovská 308/15, 16100 Praha 6  
[www.truecam.com](http://www.truecam.com)

A TrueCam® egy regisztrált védjegy, és terméke ipari mintával védett.

Minden jog fenntartva.