

Register your products and get support at
www.philips.com/welcome

4000 Series
42PFS4012/12

Quick start guide

PHILIPS

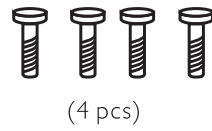
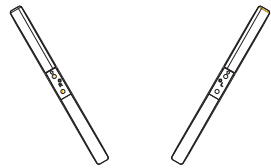
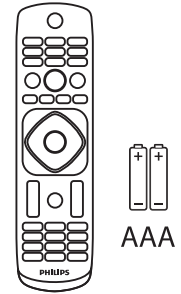
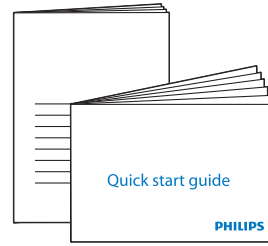
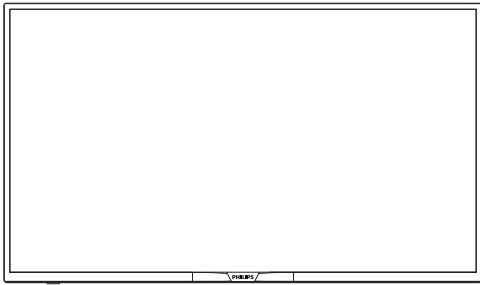
■ C:100 M:44 Y:0 K:0



Before using your product, read all accompanying safety information.
(The relevant parameters of instructions are variable, without prior notice, if there is any discrepancy, please in accordance with actual object.)



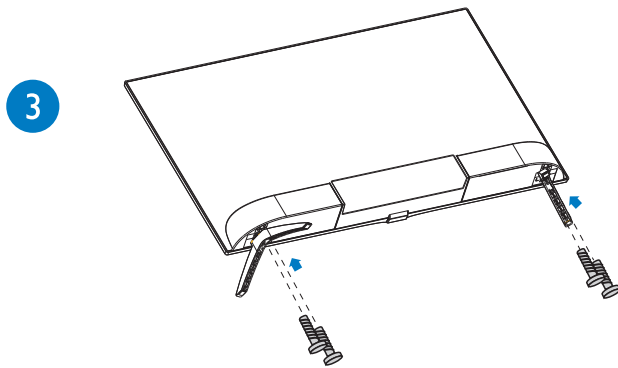
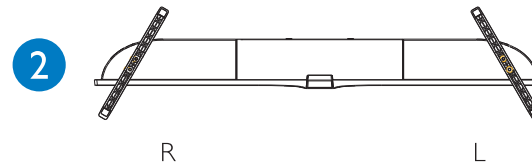
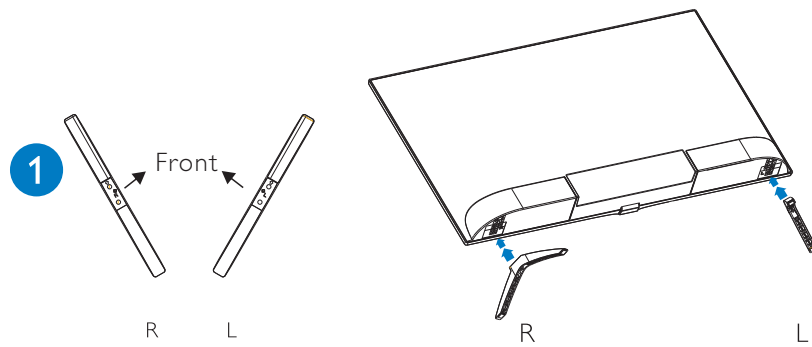
What's in the box



1

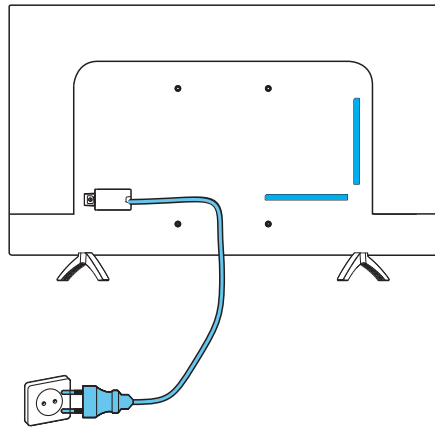


Mount the stand



2

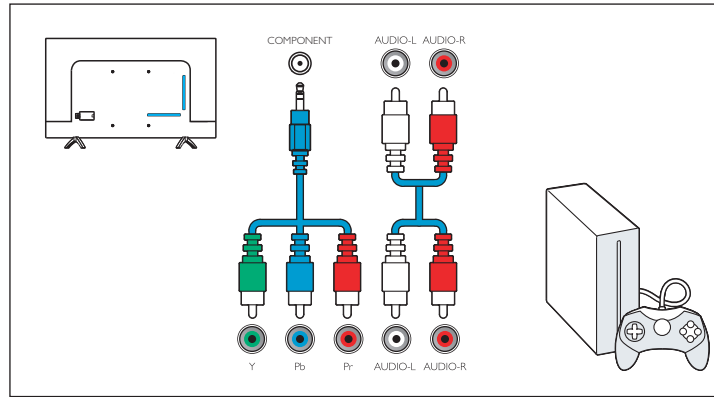
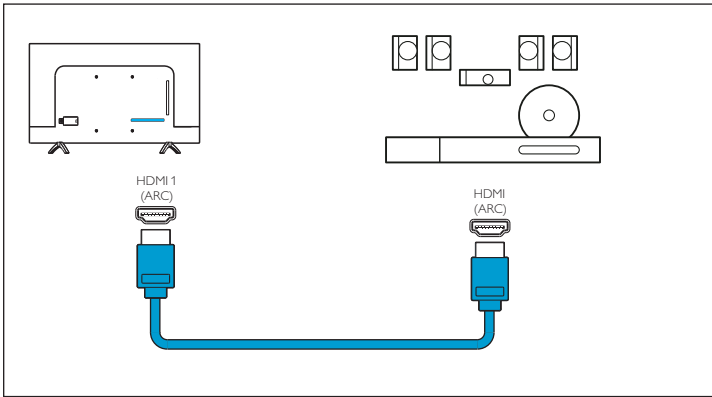
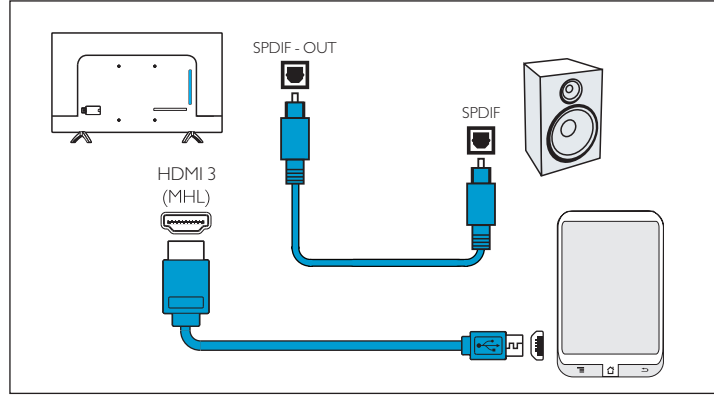
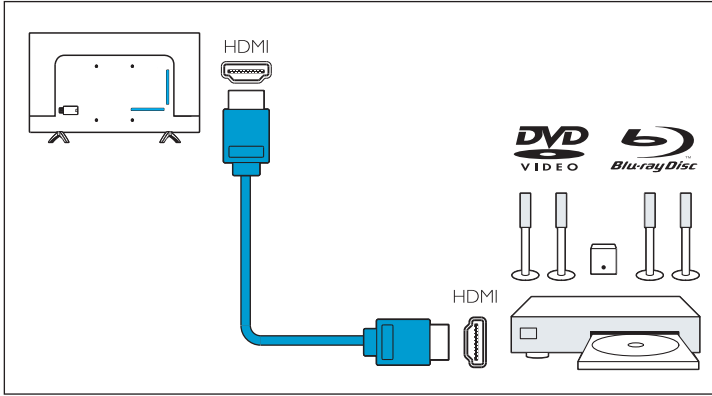
Connect

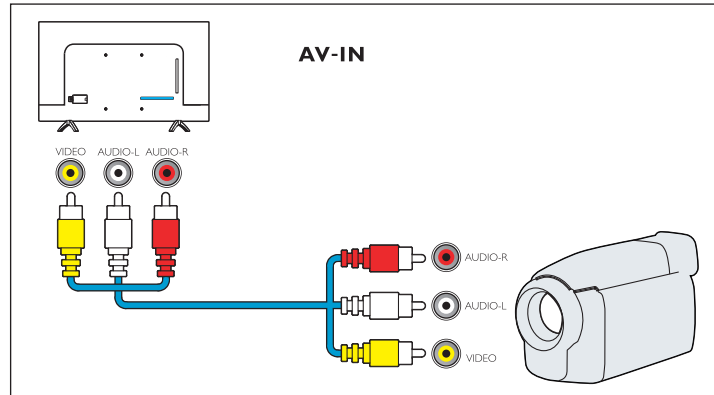
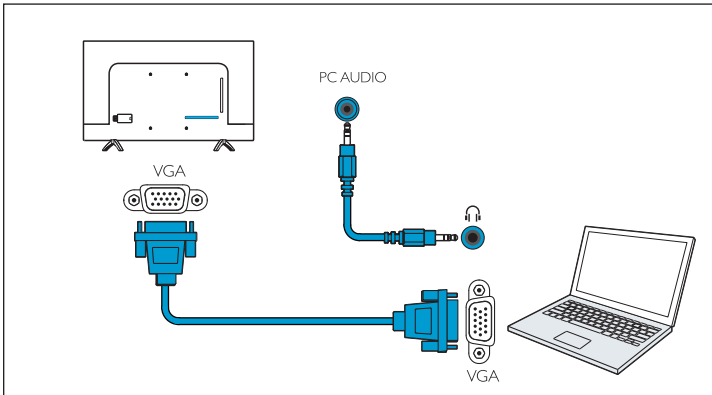
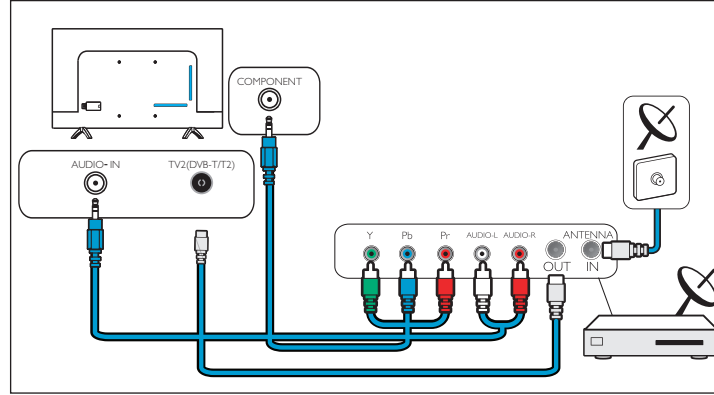
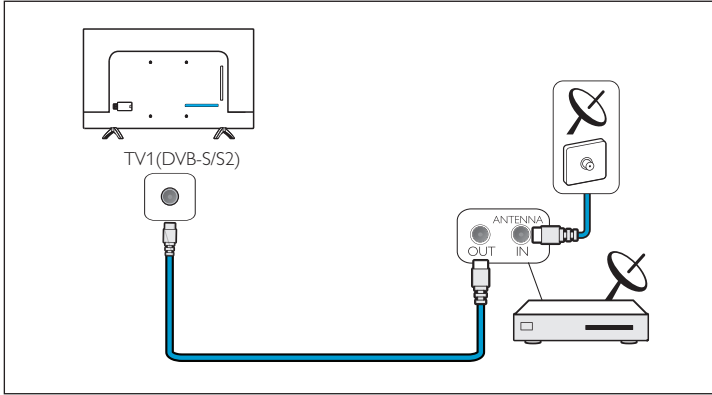


AV - IN AUDIO - IN

VGA PC - AUDIO VIDEO AUDIO - L AUDIO - R TV 1 (DVB-S/S2) TV 2 (DVB-T/T2) HDMI 1 (ARC)

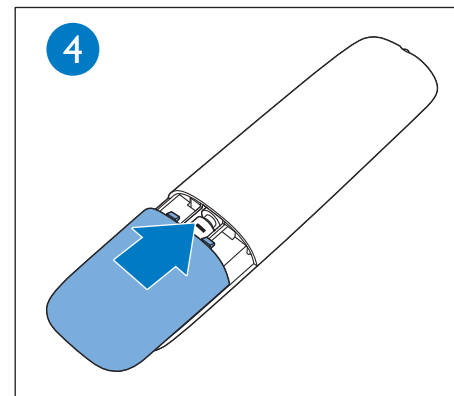
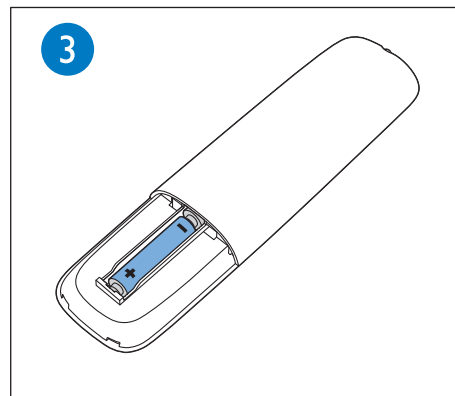
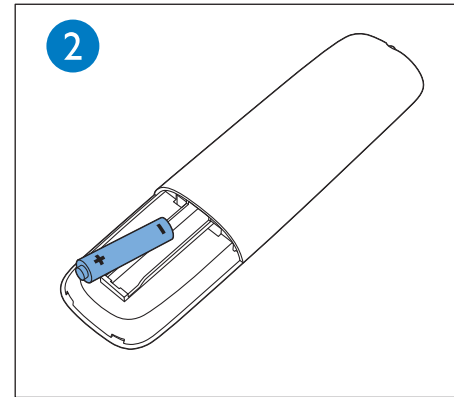
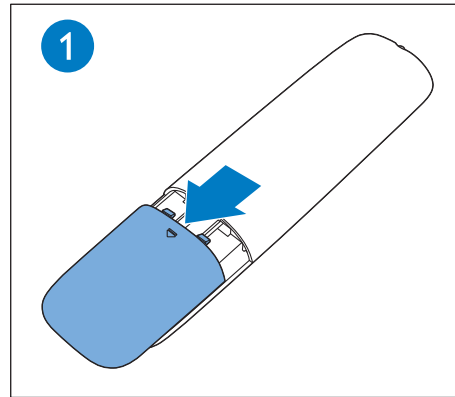
HDMI 2 HDMI 3 (MHL) SPDIF - OUT CI COMPONENT USB HEADPHONE





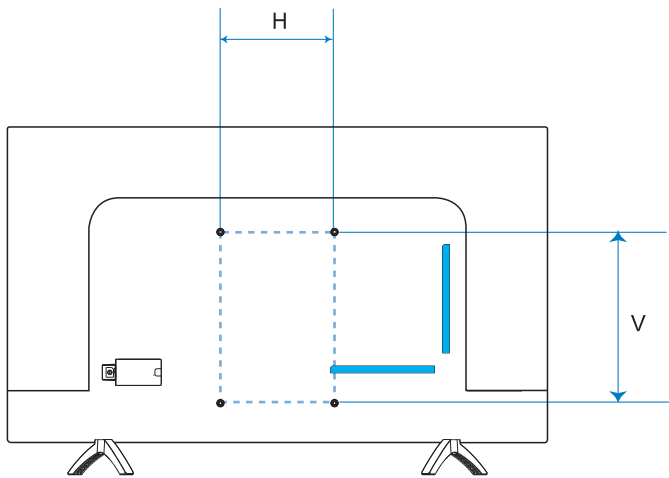
3

Insert batteries





To wall mount, purchase a suitable bracket.




a: Depth of the top VESA screw hole

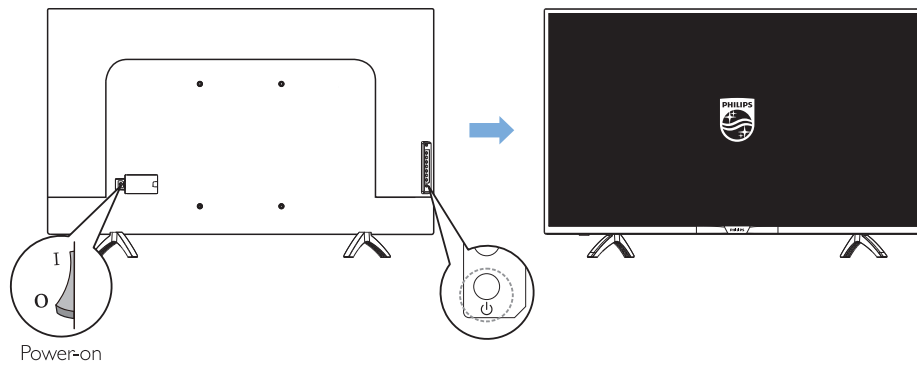
b: Depth of the bottom VESA screw hole

Note: The screw length depends on wall bracket.

TV	H	V
106 cm / 42"	200 mm	300 mm

4

If the indicator is off, please insert the TV power cord into a power outlet. Press the power switch to turn on the TV as shown in the figure. When the indicator is on, press the  key on the side panel of the TV or on the remote control to turn on the TV.





Please refer to the User's Manual and the Philips support website for more operating instructions.





All registered and unregistered trademarks are the property of their respective owners. Specifications are subject to change without notice.

Philips and the Philips' shield emblem are registered trademarks of Koninklijke Philips N.V. and are used under license from Koninklijke Philips N.V.

2017© TP Vision Netherlands B.V. All rights reserved.

