

HAND DRYER

EN DE CZ SK HU PL

RAZOR



۱۷۲



Thank you for purchasing our product.

Before using this unit, please read this manual in order to avoid improper handling and use of the device.

Do not attempt to install the unit yourself unless you are a trained service technician. Otherwise, this may affect the safety and proper functioning of the unit.

Read this manual thoroughly and carefully before beginning to use the unit, ensuring safety and proper function. Please keep it well for later reference.

Features

Drying hands without contact is hygienic.

Electricity cost saving because of drying hands at high speed.

Do not use towels and tissues, no dispose of waste.

Anti-bacteria and environmental materials, no pollution.

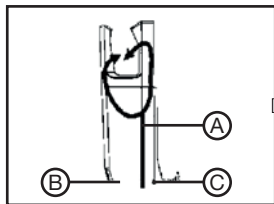
Thanks to heater switch is possible to set the cool or warm drying temperature:

- Heating switch to 1 (on), means the heating is always on, ambient temperature can not effect the heating.
- Heating switch to 0 (on), means the heating is automatic working, this means:
 - » When the ambient temperature is below 20°C, the heating is on working, the hand dryer can bring the warm air to the user.
 - » When the ambient temperature is over 20°C, the heating is not working, the hand dryer only bring the cool wind.

Anti-damage timer

Installed anti-damaged timer, this machine will stop work after working 25 seconds. Draw out your hands and put again your hands into the dryer to continue use.

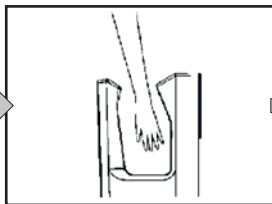
No need windpipe.



Separate air supply, quite hygienic.

No drip comes into the unit.

Upper and lower air nozzles.



Prevent water drops from splattering on the unit body.

Ergonomic shapes, for comfortable use.



Ease of use.

- A. Airflow
- B. Drain tank
- C. Air inlet

Warning

Personal injury accidents will happen if use improperly.

- Do not open the front panel, otherwise, this may get an electric shock.
 - Children forbidden hanging on the machine, there is risk of falling.
 - Do not use in a wet environment, for example, near the bathroom where it may get the direct water and places where the condensation may form, otherwise, this may cause electric shock and unit malfunction.
 - Do not allow the unit get wet, otherwise it will cause electric shock.
 - Do not modify and disassemble the unit unnecessarily. Otherwise, this may cause a fire, electric shock, or personal injury.
 - If power tolerance is over +/-10%, there will be breakdown. If using incorrect power supply, fire, electric shock and machine malfunction will happen.
 - Please use dedicated socket. If using together with other appliances, the socket may cause abnormal heat leading to fire.
 - Power must be cut off when maintenance to prevent the risk of electric shock.
 - Drain tank and air filter must be installed. Do not switch on after power connected for 10 seconds.
 - If the machine doesn't work or have abnormal conditions, please cut off power to prevent accidents and close leakage circuit breaker and ask supplier to check and repair, or it may lead to fire because of electricity leakage and short circuit.
 - It must have the reliable grounding wire otherwise it may cause electric shock when the unit failure or leakage.
 - Attention when installation: do not install when the machine are power connected.
 - It must be operated by the professional construction person, who was trained examined the knowledge requirements of the standards relating to electrical equipment (paragraph 50) when install the unit. If the construction is incorrect, it may cause electric shock and fire accident.
 - This appliance is not intended for use by persons (including children) with reduced physical, sensory or mental capabilities, or lack of experience and knowledge, unless they have been given supervision or instruction concerning use of the appliance by a person responsible for their safety.
 - If the cord is damaged, it must be replaced by the manufacturer, its service agent or similarly qualified persons in order to avoid a hazard.
-

Packing list

Unit 1 pc

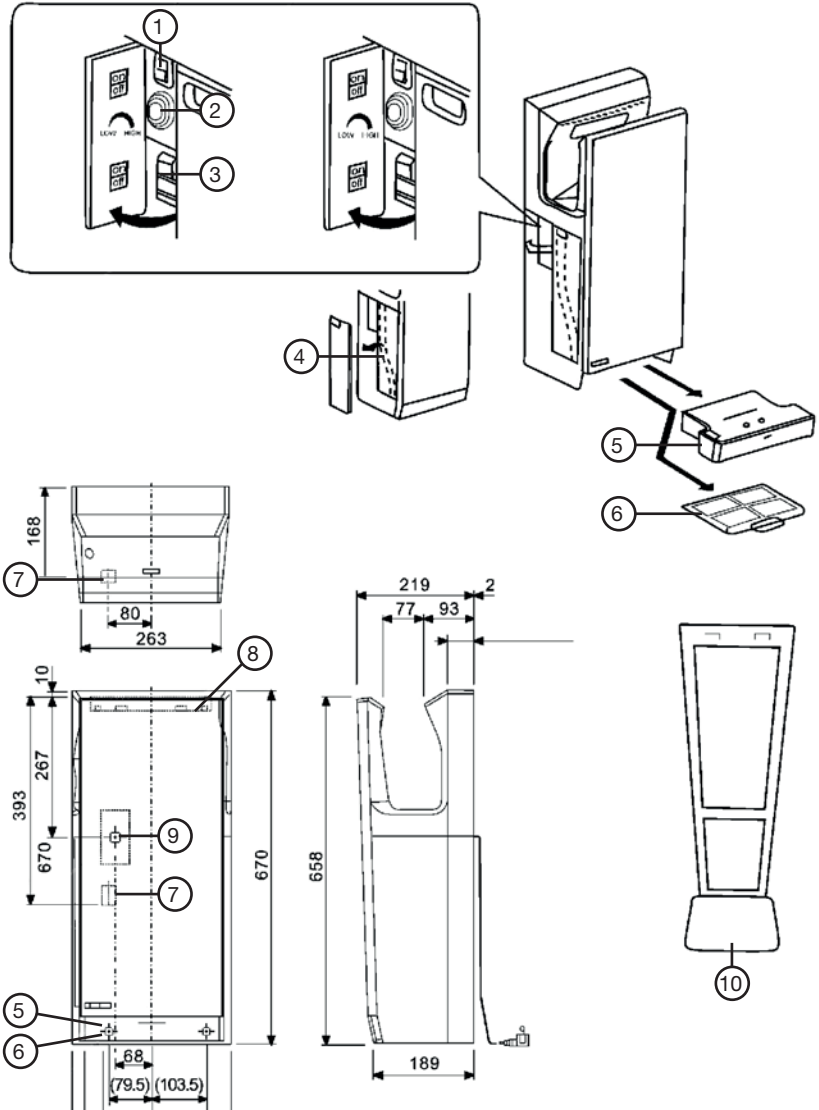
Mounting plate 1 pc

5 mm expansion pipe 6 pcs

5x30 mm self-tapping screw 6 pcs

User manual 1 pc

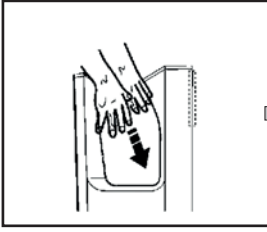
Part names and dimensions



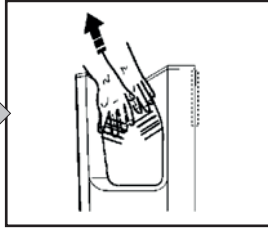
1. Heat switch
2. Speed governor
3. Power switch
4. Drainage line
5. Water tank

6. Filter
7. Terminal box location
8. Installation panel
9. Power cord hose (rear)
10. Installation base

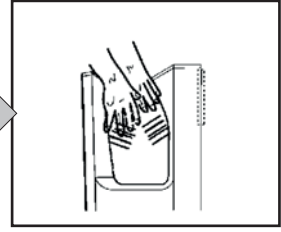
Using the unit



Stretch out both hands and insert them all the way in. The unit starts to run automatically.



Pull them out slowly, letting the air blow the water off.



Pull them out completely.

Self-check indicator

When a malfunction or error occurs, the self-check indicator on the right side will either light up or flash.

Turn off the power switch, wait about 40 seconds until all the indicators go off, then turn on the power switch.

If the indicator still lights up or flashes, turn off the power, disconnect the unit from the socket, and contact your dealer immediately.

When using the unit

Turn on the power switch.

The power indicator lights up.

The lamp lights up.

The cover of power supply is closed.

Cleaning the unit body

Clean the unit with a soft cloth. If the unit gets very dirty, clean with a soft cloth dampened with neutral agent, then clean with a dry soft cloth.

Remove the dirt from the sensor (to prevent malfunction).

Note

Only use the neutral cleaning agents.

Do not use thinner, acidic or alkaline toilet cleaners, or nylon brush. (Otherwise, they may damage the smoothness of surface).

Only use alcohol to clean the hand drying area. (Do not use alcohol anywhere else).

If the chemical cloths used, please read their instructions first.

Disinfecting agents will damage your unit.

Warning

Before you clean the unit, turn off the power switch.

Do not splatter water on the unit.

Caution

Wear gloves when cleaning.

The antibacterial coating becomes not effective when the surfaces get very dirty.

Draining and cleaning the drain tank

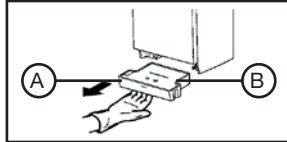
Before it fills up (at least once a week).

- The water blown off the hands is called "drain water".
- Empty the drain water at any moment, in order to prevent accumulated water from exceeding the full level.
- It will start smelling if the accumulated water remains in the tank for too long time.

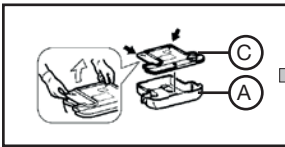
Pull the drain tank out in the horizontal direction.

This ensures the drain water does not splatter out.

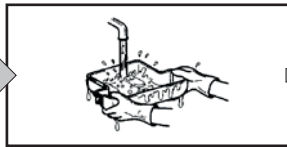
- A. Full level
- B. Drain tank
- C. Cover



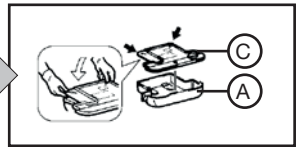
Open the cover and empty the water.



Pull the cover up with your fingers in the direction of the arrow on top of the cover and then remove the cover completely.



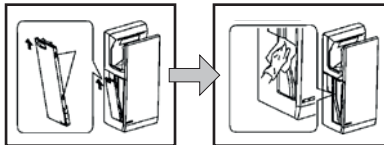
Wash out the interior of the drain tank.



Close the water tank cover and re-attach it to the unit as original.

Open the side panel, wipe with a cloth.

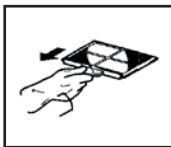
Regular cleaning drainage routes, can effectively inhibit bacteria.



Cleaning the air filter

Around once a week.

Remove the air filter.



Pull the air filter out.



Cleaning the air filter.



Beat it lightly by hand or use a vacuum cleaner.

If it is very dirty, wash it off with cold or warm water.

Re-attach to the unit.

Insert it all the way in, until it stops. If it is not in place, the dirt or dust will enter to the unit and shorten its service life.

Note:

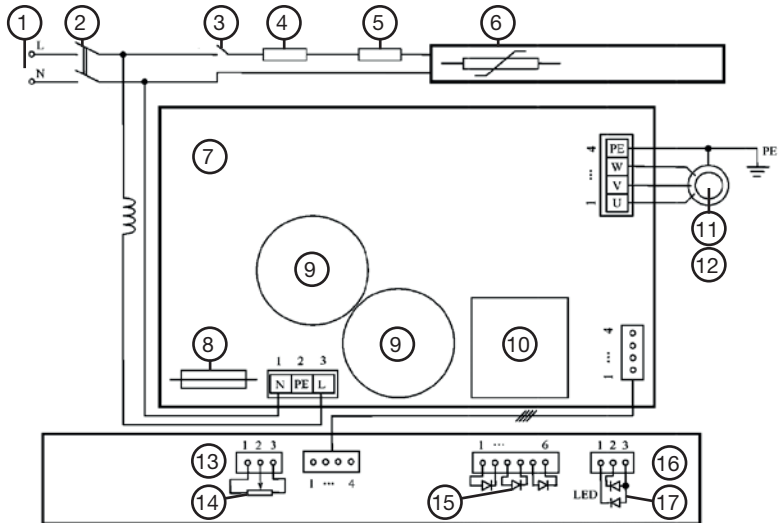
If you wash the air filter with water, dry it as much as possible. Do not expose to the fire.

Trouble shooting

If you discover the following circumstances, please inspection and handling as following:

Problem	Check	Action
No air blows when hands are inserted.	Do the display indicators lights up? Is the power switch on? Are you putting your hands all the way in?	Check the ground-fault circuit breaker. Turn the power switch on. Reput hands all the way in.
Machine works long time after hands drawn out, finally stop.	Any dirt or foreign body on sensor?	Switch off the power button and then remove dirt or foreign body on sensor after the power light off, when finished, switch on power button.
No hot wind.	There is a built-in heater in the unit. Any dirt on heating sensor? Fuse inside terminal box blown?	Is the ambient temperature higher than 20°C? Switch off power, remove front cover. There is a terminal box inside. Take down the cover of terminal box. Check the fuse inside box which is blown or not.
Airflow is too low.	Is the speed button on low level?	Put speed button on high level.
If the above actions do not work, turn off the power and the ground-fault circuit breaker and call your dealer to inspect and repair it if necessary.		

Electrical circuit schematic



- | | |
|-----------------------------------|---------------------------------------|
| 1. Power | 10. Transformer |
| 2. Power switch | 11. Sensorless BLDC motor |
| 3. Heat switch | 12. Sensorless brushless DC motor |
| 4. Fuse protector | 13. Infrared receiver control circuit |
| 5. Thermal fuse | 14. Speed potentiometer |
| 6. PTC Electric heater thermostat | 15. Infrared emission |
| 7. Hand dryer control circuit | 16. Operating instructions |
| 8. Fuse protector | 17. Power indicator |
| 9. Capacitor | |

	Status		Status		Solution
Power indicator light	Light	Power input normally	Extinguish	Power not supply.	Check the external power source, close the power switch.
				Master board fuse blew out.	
State indicator light	Extinguish	Don't work	Flashing light	Motor fault, it can't start normally.	Check motor connecting wires and the rotor foreign material.
	Always light	Working		Trick or working time longer than 25s.	Clear work space foreign material, restart to work.

Precautions before installing

Do not install in the following types of location, otherwise this may cause malfunction:

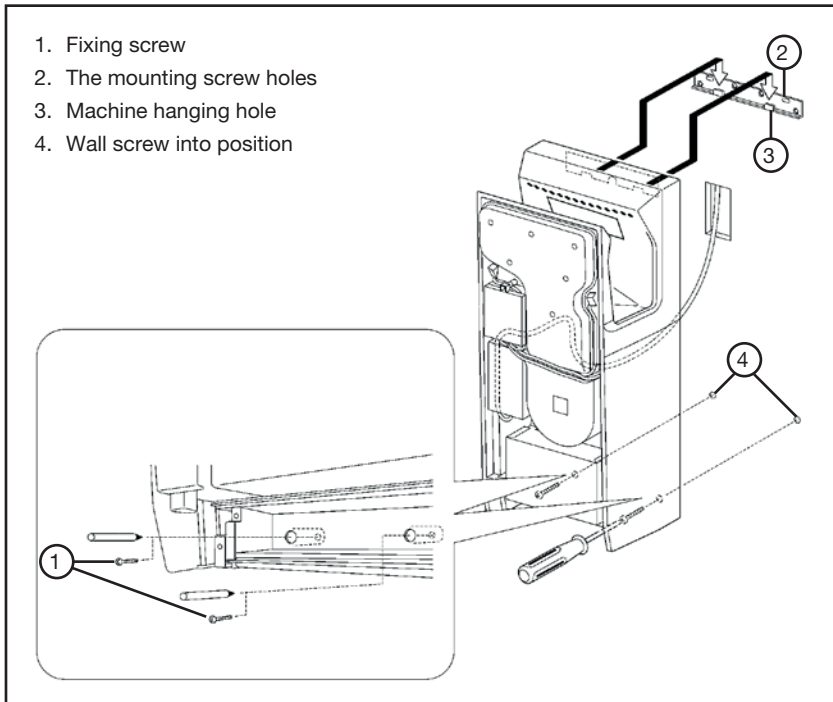
- Locations where the temperature can exceed -10 C or 40 C.
- Locations where the unit may come into direct contact with water.
- Locations where the unit is under direct or strong sunlight.
- Locations where there is a lot of condensation.
- Locations where corrosive, neutral, or reductive gases are present.
- Places lower than -20m or higher than 2000m above sea level.

Installation location:

- Install the unit somewhere, where it will be easy to use, as shown in the figure. If the unit is installed too low, water may get on it when the floor is being cleaned. (The bottom of the unit must be at least 150 mm higher than the floor or any objects under it.)
- The left side of the unit must be at least 150 mm away from any walls, because the power switch is located on the left.
- Ensure there are no mirrors or walls near the right side, as drops of water may splatter to the right when drying hands. (Recommended distance is at least 100 mm.)
- Avoid locations where people or doors might bump into the unit.
- Choose a completely flat surface on the wall to install the unit.

Installation base:

- If your space is limited and the condition of wall is unsatisfactory, you can purchase an installation base to install the unit.



Installation procedures

Connecting the appliance can either install it to the terminal, or by using the power cable.

Use a multiplied wire power cord which is 1.5mm² - 2.0 mm² multiplied wire (cords other than 1.5mm² - 2.0 mm² single-core cords cannot be used.)

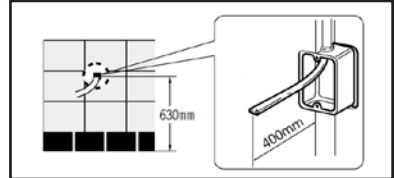
(A drop in voltage is possible if the power cord exceeds 11 m in length.)

Before installation the product please remove the test line (cable with plug).

1 Wire the unit.

Embed the switchbox in the installation location and wire the power cord (with the green and yellow combined is ground line).

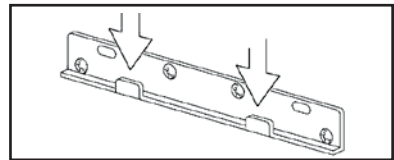
- If no switchbox is used, the power cord will be pushed out, and prevent the unit from being installed firmly against the wall.



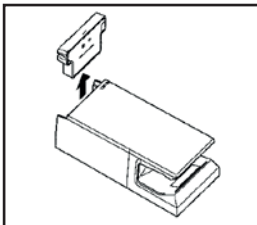
2 Attach the installation panel to the wall using the 6 installation screws.

If the wall is concrete, use commercially available metal screw plugs.

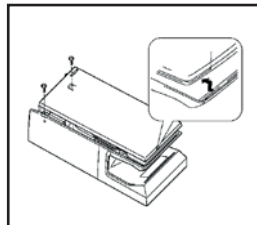
If the wall is not concrete, reinforce it before installation.



3 Remove the drain tank.

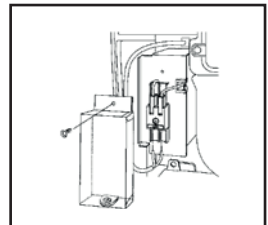


Remove the front panel.



- Remove the two screws.
- Remove all the front panel chuckholes.

Remove the terminal box cover.

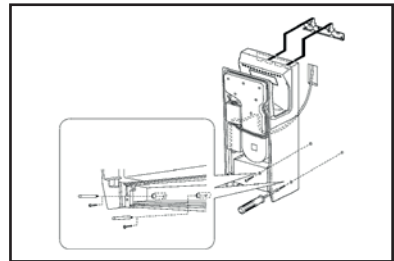


- Remove the terminal box cover screw and pull the cover out towards you.

4 Pull the separate line power cord into the unit and secure inside.

Pull the power cord through the power cord hole on the rear of the unit, attach the rear side to the 3 hooks on the installation panel and secure with the installation screws while pushing the unit against the wall lightly.

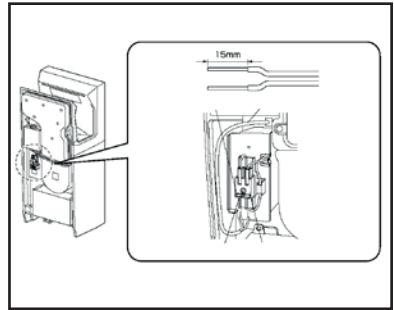
The installation screws for the unit will not tighten completely if the hooks at the bottom of the installation panel are not in place. Ensure the lower hooks are completely hooked onto the rear of the unit.



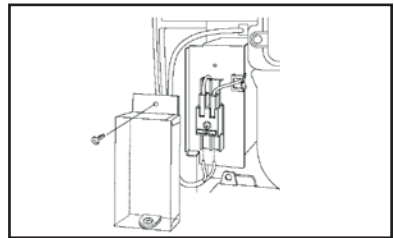
Note:

Ensure the unit is hooked on the installation panel, tightened the fixed screws, otherwise, this may cause the unit to drop and be in the danger of theft.

- 5 Wire the terminal box (there is no polarity).**
Strip the wire sheath as shown in the figure at right.
Loosen the screws on the terminal box and connect the power cord to the terminal box.
Remove the protective seal attached to the terminal box before connecting the ground wire.
Tighten the screws on the terminal box and pull the power cord to make sure it is secured firmly.
Bind the power cord using the clip to the right of the terminal box and fix it to its original location.

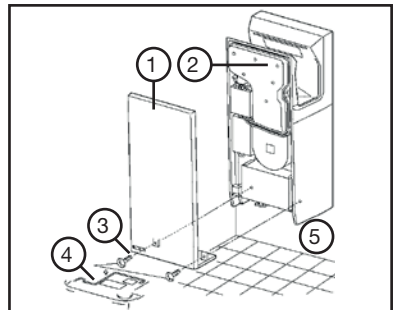


- 6 Attach the terminal box cover.**
Place the terminal box tabs into the holes and return the cover to its original position, securing it with the screw.
Make sure the power cord and other wires are not pinched.
The front panel can not be attached if there are any wires in front of the terminal box cover. Move the wires to the right of the terminal box cover.



- 7 Attach the front panel.**
Insert the 3 front panel chuckholes into the unit.
Replace the 2 screws that were removed.
Attach the drain tank.
Make sure the air filter is all the way in.

1. Front panel
2. Unit
3. Installation screw
4. Drain tank
5. Air filter



Test run

Step	Check
1	Check the voltage of power supply Is single-phase alternating current 220-240 V 50/60 Hz used?
2	Turn the ground-fault circuit breaker on
3	Turn the power switch on Does the power indicator light up?
4	Dry hands Is the air blowing?
5	Check the unit Is the unit installed firmly? Any vibration or strange noise?

Do not turn the unit power switch on with your hands inside.

If the self-check indicator in the display lights or is flashing, turn off the power switch off and turn the power back on when all the indicators go off (after 40 seconds).

Technical specifications:



Rated voltage	AC 220-240 V
Rated frequency	50/60 Hz
Input power	1000 – 1300 W
Wind velocity	95 – 100 m/s
Heating power	550 W
Motor	Brushless DC motor
Dimension	300x219x670 mm
Net weight	9,5 kgs

The English version of the manual is an exact translation of the original manufacturer's instructions. Images used in this manual are for illustrational purposes only and may differ from the actual product.

Vielen Dank, dass Sie sich für unser Produkt entschieden haben.

Bevor Sie das Gerät benutzen, lesen Sie bitte die Bedienungsanleitung sorgfältig durch, um sich mit allen Sicherheitshinweisen vertraut zu machen.

Wenn Sie kein erfahrener Servicetechniker sind, empfehlen wir Ihnen, dieses Gerät nicht allein zu installieren, sonst kann die Sicherheit negativ beeinflusst sein, ferner kann es zu einem unrichtigen Funktionieren des Geräts kommen.

Bitte, bewahren Sie diese Anleitung für den nächsten Gebrauch auf.

Vorteile

Das Händetrocknen ist hygienisch, weil Sie das Gerät nicht berühren müssen.

Weil das Händetrocknen sehr schnell ist, sind auch die Energiekosten kleiner.

Es entstehen auch keine Abfälle, weil weder Hand- noch Papierhandtücher benutzt werden müssen.

Es kommt auch zu keiner Verunreinigung, weil antibakterielle und ökologische Materialien benutzt werden.

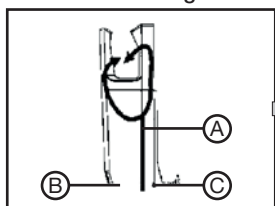
Dank dem Wärmeschalter kann die Temperatur des Trocknens nach Ihrer Wahl eingestellt werden, ob Hände mit der Warm- oder Kaltluft abgetrocknet werden.

- Wenn die Heizung auf die 1. Stufe eingeschaltet ist, heißt es, dass die Luft warm bläst, die Umwelttemperatur beeinflusst die Temperatur des Heizens nicht.
- Wenn die Heizung auf die 0. Stufe eingeschaltet ist, arbeitet die Heizung automatisch:
 - » Wenn die Umwelttemperatur unter 20 °C sinkt, ist die Heizung eingeschaltet und die Luft bläst warm.
 - » Wenn die Temperatur höher als 20°C ist, ist die Heizung nicht eingeschaltet und die Hände sind mit kalter Luft abgetrocknet.

Timmer gegen die Beschädigung

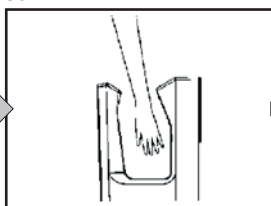
Der installierte Timmer sichert, dass das Gerät jedes Mal ausschaltet, wenn es 25 Sekunden arbeitet. Ziehen Sie Hände aus dem Gerät und legen Sie diese wieder hinein und das Gerät fängt an, wieder zu arbeiten.

Es ist kein Schlauch für die Wasserzufuhr nötig.



Getrennter Luftzufuhr
In den Gerätekörper fließt kein Wasser hinein.

Obere und untere Luftdüsen.



Diese verhindern das Spritzen aus dem Gerätekörper hinaus.

Ergonomische Formen für die gemütliche Benutzung.



Einfache Benutzung.

- A. Luftstrom
- B. Auslassbehälter
- C. Luftzufuhr

Warnung

Wenn das Gerät nicht richtig benutzt wird, kann es eine Verletzung verursachen.

- Öffnen Sie die vordere Wandplatte nicht, sonst kann ein Stromschlag zugeführt werden.
 - Kinder dürfen sich am Gerät nicht einhängen, sonst stürzt das Gerät ab.
 - Das Gerät darf nicht in nasser Umwelt benutzt werden, z.B. in der Nähe des Bades, wo das Gerät in einen direktem Kontakt mit Wasser kommen kann, ferner an Stellen, wo sich der Dampf bildet, sonst kann es zu einem Stromschlag oder zu einem Kurzschluss kommen.
 - Verhindern Sie, dass das Gerät zu nass ist, sonst kann zu einem Schlag elektrischen Stroms kommen.
 - Passen Sie das Gerät nicht an und zerlegen Sie dieses nicht, wenn es nicht nötig ist, sonst kann es zu einem Brand, Stromschlag oder einem Unfall kommen.
 - Wenn die Spannungstoleranz um +/-10% abweicht, kann zu einer Störung des Geräts kommen. Wenn eine falsche Spannung benutzt wurde, kann zum Brand, Stromschlag oder Gerätestörung kommen.
 - Bitte benutzen Sie eine getrennte Steckdose. Wenn das Gerät mit anderen Anlagen benutzt wird, kann zur Überhitzung der Steckdose kommen, wodurch ein Brand entstehen kann.
 - Um den Stromschlag bei der Gerätewartung zu verhindern, muss die Stromversorgung ausgeschaltet sein und der Behälter für den Luftfilter installiert werden. Bei dem Anschluss ist das Gerät erst nach 10 Sekunden einzuschalten.
 - Wenn das Gerät nicht arbeitet, trennen Sie das Gerät vom Strom und schalten sie den Sicherungsschalter, damit Sie einen Unfall verhindern. Sichern Sie die Kontrolle oder Reparatur des Geräts, sonst kann es zu einem Brand kommen, der durch einen Kurzschluss verursacht wird.
 - Das Gerät muss zuverlässig geerdet werden, sonst kann zu einem Schlag elektrischen Stroms kommen.
 - Hinweis bei der Installation: das Gerät darf nicht indem Fall installiert werden, wenn dieses nicht vom Strom getrennt wird.
 - Die Installation muss von einer speziell geschulten Person durchgeführt werden oder von einem Mitarbeiter, der in die Kenntnisse von Vorschriften und Normen eingeschult und geprüft wurde, welche elektrische Anlagen betreffen (Paragraf 50). Wenn die Montage des Produkts nicht richtig durchgeführt wird, kann zu einem Stromschlag und Brand kommen.
 - Um Unfälle zu verhindern, darf diese Anlage nicht von Personen (inkl. Kindern) mit beschränkter psychischen Störung, Sinnes- oder Mentalstörung, mit mangelnden Erfahrungen und Kenntnissen benutzt werden, wenn sie sich nicht unter einer sicheren Aufsicht befinden, oder wenn diesen keine Instruktionen erteilt wurden, wie das Gerät sicher benutzt werden soll, damit es zu keinem Unfall kommt.
 - Wenn das Kabel des Geräts beschädigt wurde, muss dieses durch den Hersteller, Servicedienst oder eine andere ähnliche qualifizierte Person ersetzt werden.
-

Inhalt der Verpackung

Gerät 1 St.

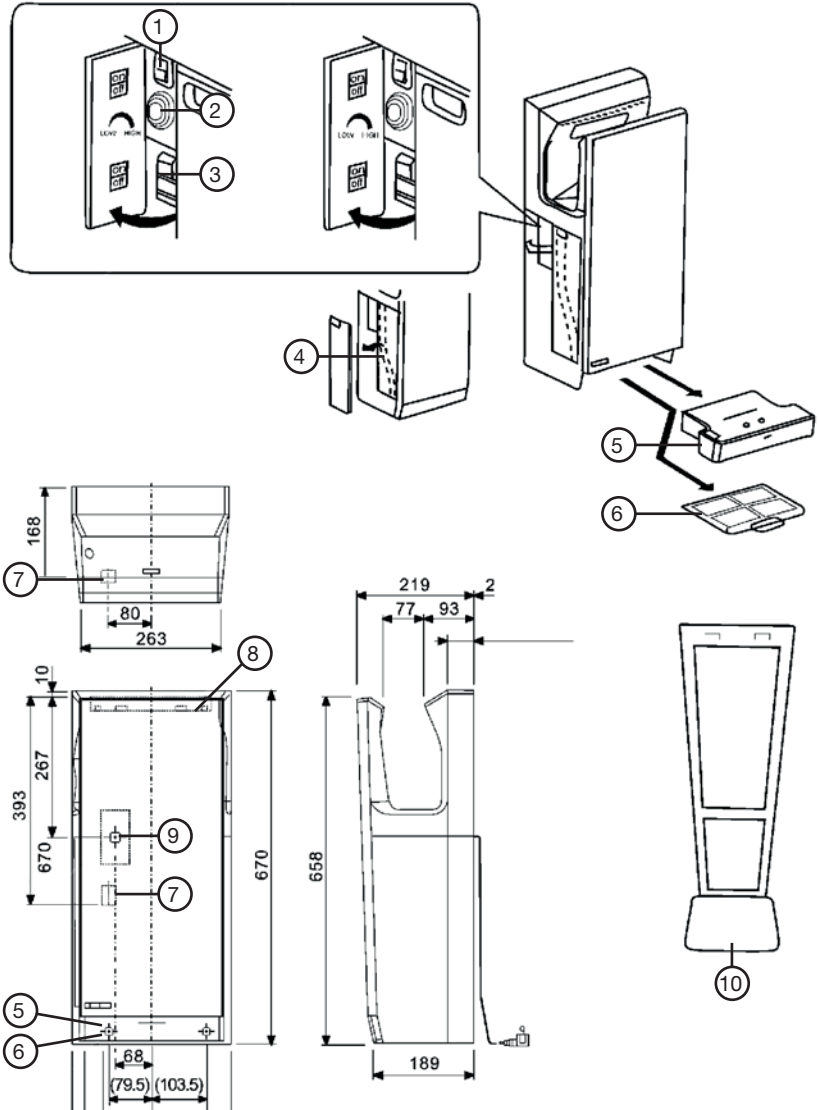
Montageplatte 1 St.

5 mm Dübel 6 St.

5x30 mm Schneidschrauben 6 St.

Gebrauchsanweisung 1 St.

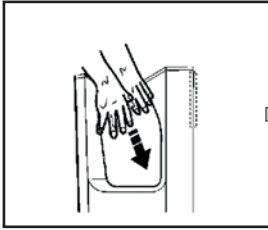
Abmessungen und Teilebezeichnungen



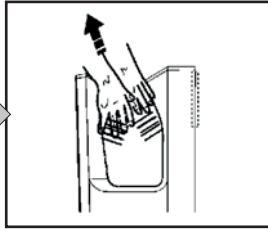
- 1. Einschaltung der Heizung
- 2. Geschwindigkeit der Umdrehungen
- 3. Ausschaltung
- 4. Abflusstrecke
- 5. Wasserbehälter

- 6. Filter
- 7. Platzierung der Terminalbox
- 8. Installationsplatte
- 9. Versorgungskabel (hinteres)
- 10. Installationsbasis

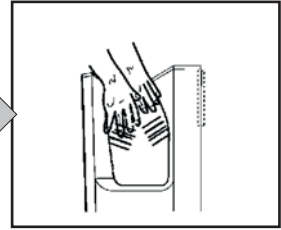
Benutzung des Geräts



Strecken Sie beide Hände und legen Sie diese hinein in das Gerät. Das Gerät startet automatisch.



Ziehen Sie langsam Ihre Hände heraus und lassen Sie den Händetrockner Ihre Hände abzutrocknen.



Ziehen Sie Ihre Hände ganz heraus.

Kontrollindikator

Wenn ein Fehler oder eine Störung erscheint, leuchtet der Kontrollindikator auf rechter Seite auf oder dieser fängt an zu blinken.

Schalten Sie den Hauptschalter aus, warten Sie etwa 40 Sekunden, bis der Indikator ausschaltet, dann schalten den Hauptschalter ein.

Leuchtet oder blinkt der Indikator immer noch, trennen Sie das Gerät vom Strom und nehmen Sie umgehend mit einem Reparaturarbeiter oder einen Servicedienst Kontakt auf.

Beim Gebrauch des Geräts

Schalten Sie den Hauptschalter ein.

Der Leistungsindikator leuchtet.

UV-Licht leuchtet.

Der Deckel ist zugeschlossen.

Reinigung des Gerätekörpers

Waschen Sie das Gerät mit einem weichen Lappen. Ist das Gerät sehr schmutzig, waschen Sie dieses mit einem weichen Lappen, der in einem neutralen Waschmittel eingetunkt wurde, danach waschen Sie es mit einem weichen sauberen Lappen.

Entfernen Sie den Schmutz vom Sensor (um die Störung vorzubeugen)

Bemerkung

Benutzen Sie keinen Verdüner, saure oder alkalische Toiletten-Reinigungsmittel oder Nylonbürsten. (Sonst kann es zur Beschädigung der glatten Oberschicht des Gerätes kommen).

Den Alkohol darf nur an den Stellen benutzt werden, wo Hände abgetrocknet werden. (Alkohol darf an keiner anderen Stelle benutzt werden).

Wenn Sie chemische Webware benutzen, lesen Sie zuerst Instruktionen des Herstellers.

Das Desinfektionsmittel kann das Gerät vernichten.

Warnung

Vor der Reinigung des Gerätes ist der Hauptschalter auszuschalten.

Kein Wasser auf das Gerät spritzen.

Hinweis

Tragen Sie bei der Reinigung Handschuhe.

Antibakterieller Schutz ist nicht effektiv, wenn Kunststoffe schmutzig sind.

Trocknen und die Reinigung des Wasserbehälters

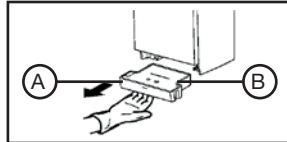
bevor dieser voll ist (mindestens einmal wöchentlich).

- Das Wasser, welches von Ihren Händen weggeblasen ist, heißt „abtropfendes Wasser“.
- Lassen Sie das Wasser nicht im Behälter, damit sich dieses nicht auf das volle Niveau nachfüllt.
- Wenn das nachgefüllte Wasser im Behälter zu lange bleibt, fängt es an übel zu riechen.

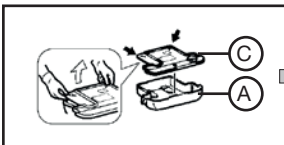
Ziehen Sie den Behälter in horizontaler Richtung heraus

Damit wird gesichert, dass das abtropfende Wasser nicht hinaus spritzt.

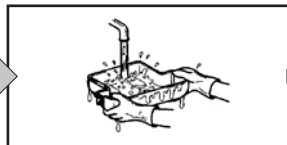
- A. Unterer Teil des Behälters
- B. Behälter
- C. Deckel



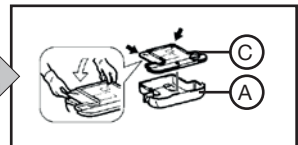
Öffnen Sie den Deckel und machen Sie den Behälter leer.



Ziehen Sie den Deckel in der Richtung des Pfeils, der auf der Oberfläche des Deckels markiert ist und entnehmen Sie danach den Deckel ganz.



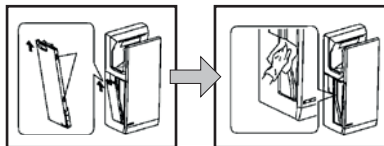
Waschen Sie den Innenteil des Wasserbehälters.



Schließen Sie den Deckel des Wasserbehälters zu und bauen Sie diesen fest im Gerät ein.

Öffnen Sie die Seitenplatte und reinigen Sie diese mit einem Lappen.

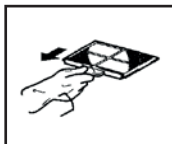
Die regelmäßige Reinigung von Abzugskanälen kann die Bakterienbildung effektiv begrenzen.



Reinigung des Luftfilters

ca. 1x wöchentlich

Nehmen Sie den Luftfilter heraus.



Nehmen Sie den Luftfilter heraus.

Reinigen Sie den Luftfilter.



Reinigen Sie den Filter mit Händen oder benutzen Sie den Staubsauger.

Ist der Filter schmutzig, reinigen Sie diesen mit kaltem oder warmem Wasser.

Befestigen Sie den Filter zurück in das Gerät.

Legen Sie diesen ganz hinein, bis dieser einrastet. Wurde der Filter nicht richtig auf seinen Stelle eingelegt, kann in das Gerät Schmutz und Staub gelangen, was die Lebensdauer des Gerätes verkürzt.

Bemerkung:

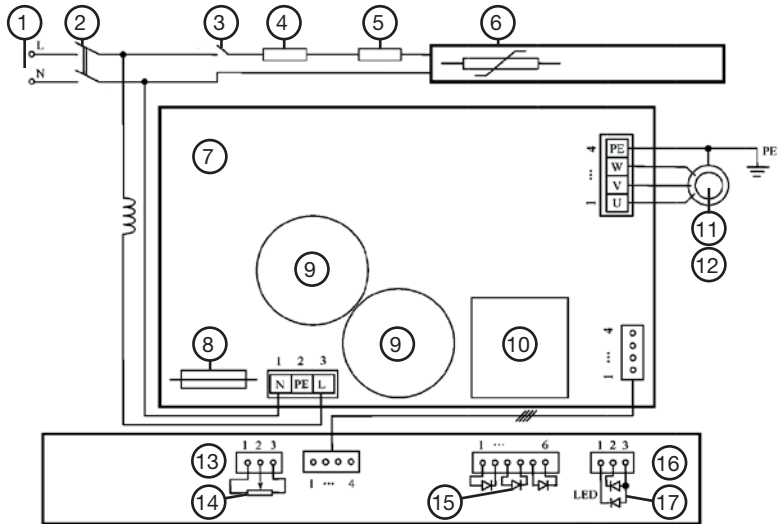
Wenn sie den Filter mit dem Wasser reinigen, trocknen Sie diesen möglichst gut. Der Filter darf nicht dem Feuer ausgestellt werden.

Lösung von Problemen

Wenn Sie nachfolgende Probleme finden, richten Sie sich mit nachfolgenden Instruktionen:

Problem	Kontrolle	Aktionen
Bei dem Einlegen von Händen bläst keine Luft.	Werden am Display Anzeigen angezeigt? Ist der Hauptschalter eingeschaltet? Werden Ihre Hände ganz in das Gerät eingelegt?	Kontrollieren Sie den Sicherungsschalter. Schalten Sie den Hauptschalter ein. Legen Sie Ihre Hände wieder in das Gerät hinein.
Das Gerät arbeitet nach lange nach dem Herausziehen von Händen aus dem Gerät.	Befindet sich auf dem Sensor ein fremder Gegenstand oder Schmutz?	Schalten Sie den Hauptschalter und entfernen den Schmutz oder den fremden Gegenstand vom Sensor, dann schalten sie den Hauptschalter wieder ein.
Es bläst warme Luft.	Im Gerät ist Heizkörper eingebaut. Befindet sich am Heizkörper ein Schmutz? Funktioniert die Sicherung im Klemmblock?	Ist die Umwelttemperatur höher als 20°C? Trennen Sie das Gerät vom Strom und entnehmen Sie den vorderen Deckel. Im Innenteil befindet sich der Klemmblock. Entnehmen Sie den Deckel vom Klemmblock. Überprüfen Sie, ob die Sicherung im Klemmblock funktioniert.
Die Luft bläst wenig.	Befindet sich der Geschwindigkeitsknopf auf der niedrigsten Stufe?	Erhöhen Sie die Stufe der Geschwindigkeit des Blasens auf dem Geschwindigkeitsknopf.
Wenn bei diesem Problem die erwähnten Reparaturen nicht funktionieren, trennen sie das Gerät und die Erdungsleitung vom Strom und rufen Sie einen Servicetechniker herbei, um das Gerät zu kontrollieren oder zu reparieren, wenn es nötig ist.		

Elektrisches Schema



- | | |
|-----------------------------------|-------------------------------------------|
| 1. Spannung | 10. Transformator |
| 2. Hauptschalter | 11. Sensorloser BLDC-Motor |
| 3. Ausschaltung der Wärme | 12. Bürstenloser, sensorloser DC-Motor |
| 4. Sicherung | 13. Infraroter Empfänger des Steuermotors |
| 5. Wärmesicherung | 14. Potentiometer der Geschwindigkeit |
| 6. Elektrischer Thermostat | 15. Infrarote Emission |
| 7. Steuerkreis des Händetrockners | 16. Betriebsanweisungen |
| 8. Schutz der Sicherung | 17. Indikator der Versorgung |
| 9. Kondensator | |

	Status		Status	Lösung
Kontrollleuchte der Versorgung	Leuchtet	Normaler Leistungsbedarf	Leuchtet nicht	Ohne Spannung
				Beschädigte Sicherung
Stand der Kontrollleuchte	Leuchtet nicht	Arbeitet nicht	Blinkt	Motorfehler
	Leuchtet immer	Arbeitet		Ist die Betriebszeit nicht länger als 25 s?
				Kontrollieren Sie die Versorgungsquelle, schalten Sie den Hauptschalter aus.
				Kontrollieren Sie den Motorstand, ob im Motor fremde Gegenstände nicht befindliche sind.
				Reinigen Sie den Arbeitsplatz und starten Sie das Gerät neu.

Maßnahmen vor der Installation

Das Gerät darf nicht an folgenden Stellen installiert werden, sonst kann zur Störung am Gerät kommen:

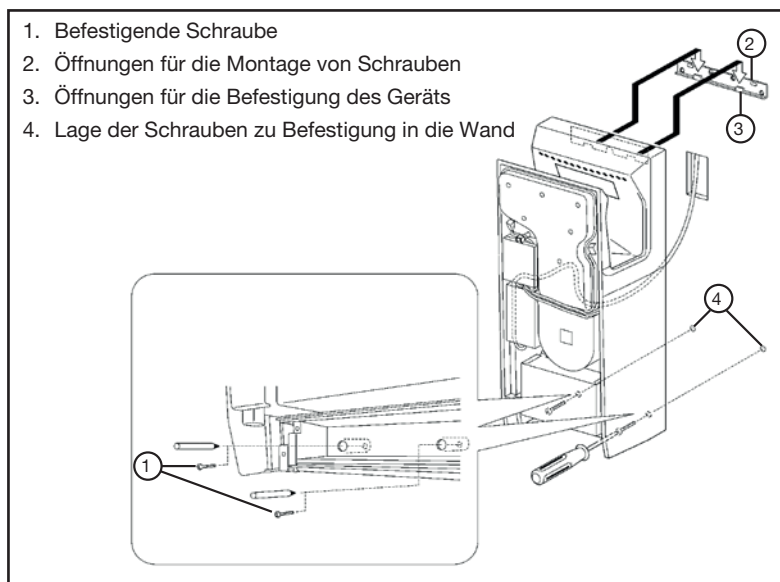
- An Stellen, wo die Temperatur niedriger als -10°C oder 40°C ist.
- An Stellen, wo das Gerät in direkten Kontakt mit Wasser kommen kann.
- An Stellen, wo das Gerät direkter Sonnenbestrahlung ausgestellt ist.
- An sehr feuchten Stellen.
- An Stellen, wo korrosive, neutrale oder reduktive Gase sind.
- An Stellen, welche in einer kleineren Höhe als -20 m und höher als 2000 m über dem Meeresspiegel befindlich sind.

Installationsplatz:

- Installieren Sie das Gerät an Stellen, wo dieses einfach zu benutzen ist, wie es auf dem Bild dargestellt ist. Ist das Gerät zu niedrig installiert, kann in das Gerät Wasser gelangen. (Der untere Teil des Gerätes muss mind. 150 mm hoch vom Boden oder einem darunter befindlichen Objekt befindlich sein).
- Die linke Seite der Anlage muss mind. 150 mm von allen Wänden sein, weil auf der linken Seite der Hauptschalter befindlich ist.
- Versichern Sie sich, dass in der Nähe der rechten Seite keine Spiegel oder Wände sind, weil beim Händetrocknen auf das Gerät Wassertropfen fallen können. (Der empfohlene Abstand beträgt 100 mm).
- Vermeiden Sie die Installation an den Stellen, wo auf das Gerät Personen oder Türen aufprallen werden.
- Wählen Sie eine komplett glatte Wandoberfläche.

Installation der Grundlage

- Wenn die Stelle auf der Wand, wo Sie das Gerät installieren möchten, nicht genug gut ist und die Oberfläche nicht genug glatt ist, kann zur Hilfe eine Installationsgrundlage benutzt werden.



Installationsvorgang

Die Schaltung des Geräts kann entweder durch die Installation in den Klemmblock durchgeführt werden oder mit Hilfe des Kabels mit einem Stecker.

Benutzen Sie das Versorgungskabel, das 1,5 mm² – 2 mm² stark ist (einadrige Kabel, welche stärker als 1,5 mm² – 2 mm² sind, dürfen nicht benutzt werden).

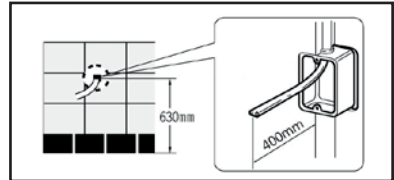
(Wir empfehlen, ein Kabel zu benutzen, das nicht länger als 11 m ist, längere Kabel können Stromausfall verursachen).

Bitte, entfernen Sie vor der Produktinstallation die elektrische Leitung (das Kabel mit dem Stecker).

1 Einschaltung des Geräts.

Legen Sie den Schaltschrank an die Installationsstelle und legen Sie die elektrische Leitung ein (Kombination des grünen und gelben Drahts).

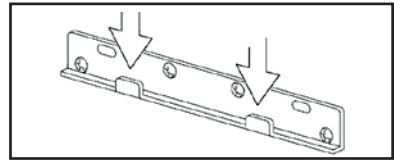
- Wenn der Schaltschrank nicht benutzt wird, wird das Versorgungskabel nach außen ausgedrückt und verhindert, dass das Gerät eng an der Wand befestigt ist.



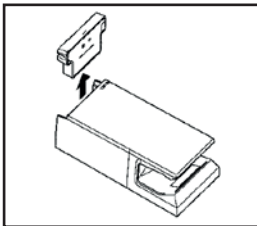
2 An der Wand ist fest die Installationsplatte mit Hilfe von 6 Schrauben anzubringen.

Wenn es sich um eine feste Betonwand handelt, benutzen sie Metallschrauben.

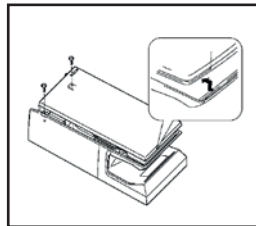
Ist die Wand nicht fest und nicht aus Beton, befestigen Sie diese vor der Installation.



3 Nehmen Sie die den Auslassbehälter aus.

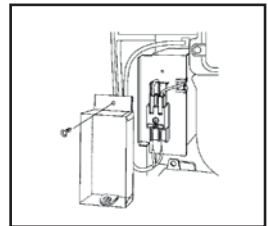


Entnehmen Sie die vordere Platte.



- Entfernen Sie die 2 Schrauben.
- Entnehmen Sie die vordere Platte aus den Befestigungsöffnungen.

Entnehmen Sie den Deckel des Klemmblocks.

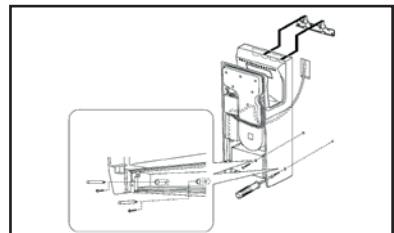


- Nehmen Sie die Schrauben vom Klemmblock heraus und ziehen Sie den Deckel zu Ihrer Richtung hin.

4 Ziehen Sie das getrennte Versorgungskabel in das Gerät hinein und befestigen sie dieses.

Stecken Sie das Versorgungskabel durch die Öffnung für das Versorgungskabel vom Unterteil des Gerätes durch, befestigen sie den unteren Teil an die Installationsplatte an die 3 Hacken und drücken Sie das Gerät an die Wand und ziehen sie dieses mit Hilfe von Schrauben fest.

Die Installationsschrauben können nicht richtig angezogen werden, wenn die Hacken am Unterteil der Installationsplatte nicht an ihrer Stelle sind. Versichern Sie sich, dass in den Hacken der Unterteil der Anlage ganz aufgehängt ist.



Bemerkung:

Versichern Sie sich, dass das Gerät an der Installationsplatte mit Hilfe von Schrauben aufgehängt ist, sonst kann die Anlage stürzen oder leicht gestohlen werden.

5 Befestigen Sie den Klemmblock (keine Polarität vorhanden)

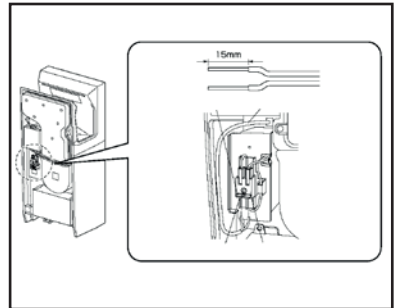
Trennen Sie die Drähte so, wie es auf dem Bild rechts dargestellt ist.

Lösen Sie die Schrauben im Klemmblock und schließen Sie darin das Versorgungskabel an.

Entfernen Sie vor der Einschaltung der Schutzsicherung die am Klemmblock beigelegte Schutzabdeckung.

Ziehen Sie die Schrauben zu und ziehen Sie beim Versorgungskabel, damit versichern Sie sich, dass das Kabel fest gesichert ist.

Binden Sie mit Hilfe von Clips das Versorgungskabel an rechter Seite des Klemmblocks und befestigen Sie diesen.

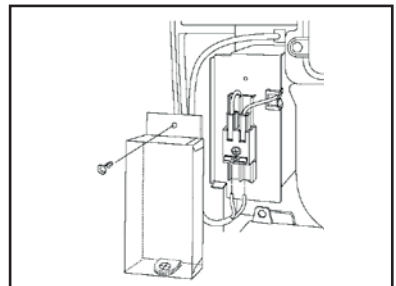


6 Befestigen Sie den Deckel vom Klemmblock.

Legen Sie den Deckel des Klemmblocks auf die richtige Stelle, damit dieser auf der Öffnung richtig sitzt, befestigen Sie diesen danach mit Schrauben.

Versichern Sie sich, ob das Versorgungskabel und andere Drähte nicht zusammengedrückt sind.

Die vordere Platte kann nicht befestigt werden, wenn aus dem Deckel des Klemmblocks jedwede Drähte ragen. Die Drähte sind einzustecken oder an die rechte Seite des Deckels des Klemmblocks zu schieben.



7 Befestigen Sie die vordere Platte.

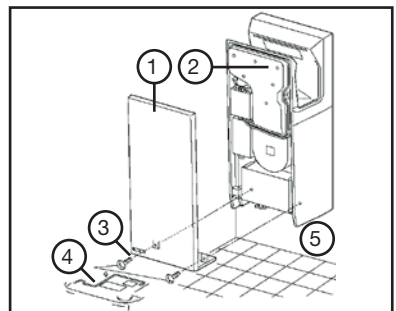
Legen Sie die vordere Platte ein.

Befestigen Sie diese mit 2 Schrauben.

Befestigen Sie den Wasserbehälter.

Versichern Sie sich, dass der Luftfilter ganz innen ist.

1. vordere Platte
2. Anlage
3. Installationsschrauben
4. Wasserbehälter
5. Luftfilter.



Prüfbetrieb

Schritt	Kontrolle	
1	Überprüfen Sie die Spannung der Versorgungsquelle	Wurde der Wechselstrom AC 220V-240V 50/60 Hz benutzt?
2	Schalten Sie die Erdungsleitung ein	
3	Schalten Sie den Hauptschalter ein	Leuchtet die Leistungsanzeige?
4	Trocknen Sie Ihre Hände	Bläst die Luft?
5	Überprüfen Sie die Anlage	Wurde die Einheit fest installiert? Hören Sie Vibrationen oder unübliche Geräusche?

Schalten Sie den Hauptschalter des Gerätes nicht ein, wenn Sie im Gerät Hände haben.

Wenn die Kontrollanzeige leuchtet oder blinkt, schalten Sie den Hauptschalter. Schalten Sie diesen wieder ein, erst wenn Kontrollleuchten zu leuchten oder zu blinken aufhören (etwa nach 40 Sekunden).

Technische Daten:



Spannung	AC 220-240 V
Frequenz	50/60 Hz
Leistungsbedarf	1000 – 1300 W
Luft-Strömungsgeschwindigkeit	95 – 100 m/s
Leistung der Heizung	550 W
Motor	Bürstenloser CD-Motor
Maße	300 x 219 x 670 mm
Nettogewicht	9,5 kg

Die deutsche Version der Anleitung ist eine genaue Übersetzung der Anleitung des Herstellers. Die in diesem Handbuch verwendeten Bilder dienen nur zur Illustration und können nicht genau das Produkt entsprechen.

Děkujeme za nákup našeho výrobku.

Před použitím přístroje si prosím přečtete tento návod, vyhnete se tak neodborné manipulaci a zacházení s přístrojem.

Doporučujeme, abyste se sami nepokoušeli instalovat tento přístroj, pokud nejste zkušený servisní technik. Jinak může dojít ke snížení bezpečnosti a nesprávnému fungování přístroje.

Prosíme, uschovejte si manuál pro příští použití.

Výhody

Sušení rukou je hygienické, protože se nemusíte dotýkat přístroje.

Díky tomu, že sušení rukou je velmi rychlé, jsou náklady na elektřinu menší.

Neprodukujete žádný odpad, protože není zapotřebí používat ručníky ani papírové utěrky.

Žádné znečištění, díky použití antibakteriálních a ekologických materiálů.

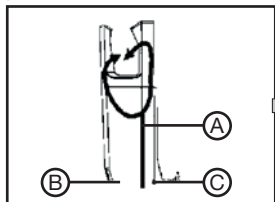
Díky tepelnému vypínači, je možné nastavit teplotu sušení tak, aby byly ruce sušeny teplým nebo studeným vzduchem:

- Pokud je topení zapnuté na 1. stupeň, znamená to, že topení je zapnuté, vzduch fouká teplý, okolní teplota neovlivňuje teplotu topení.
- Pokud je topení zapnuté na 0. stupeň – topení pracuje automaticky:
 - » Pokud je okolní teplota pod 20 °C je topení zapnuté a vzduch fouká teplý.
 - » Pokud je okolní teplota vyšší než 20°C, topení není zapnuté a ruce jsou sušeny studeným vzduchem.

Časovač proti poškození

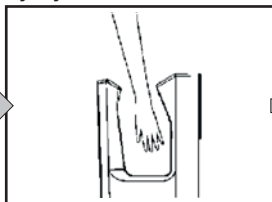
Nainstalovaný časovač zajistí, aby se přístroj vypnul pokaždé, když pracuje 25 vteřin. Vyndejte ruce z přístroje a znovu je do něj vložte, přístroj začne znovu pracovat.

Není zapotřebí hadice pro přívod vzduchu.



Oddělený přívod vzduchu. Do těla přístroje nezatéká voda.

Horní a dolní vzduchové trysky.



Zabraňují stříkání vody ven z těla přístroje.

Ergonomické tvary pro pohodlné používání.



Jednoduché použití.

- A. proud vzduchu
- B. vypouštěcí nádržka
- C. přívod vzduchu

Varování

Pokud nebude přístroj správně používán, může dojít ke zranění.

- Neotvírejte přední panel, jinak může dojít k zásahu elektrickým proudem.
 - Děti se nesmí zavěšovat za přístroj, jinak přístroj spadne.
 - Přístroj nepoužívejte ve vlhkém prostředí, například blízko koupelny, kde může přístroj přijít do přímého kontaktu s vodou a v místech, kde se tvoří pára, jinak může dojít k zásahu elektrickým proudem či ke zkratu přístroje.
 - Zabraňte, aby byl přístroj mokrý, jinak může dojít k zásahu elektrickým proudem.
 - Přístroj neupravujte ani nerozebírejte, pokud to není nutné, jinak může dojít k požáru, zásahu elektrickým proudem, nebo k úrazu.
 - Pokud se tolerance napětí liší o +/-10% může dojít k poruše přístroje. Pokud bude použito nesprávné napájení, může dojít k požáru, zásahu elektrickým proudem, nebo k poruše přístroje.
 - Prosíme, použijte samostatnou zásuvku. Pokud bude přístroj používán s dalšími zařízeními, zásuvka se může přehřívát, což může vést k požáru.
 - Aby nedošlo k zásahu elektrickým proudem při údržbě přístroje, musí být vypnuté napájení.
 - Musí být nainstalovaná nádržka a vzduchový filtr. Po připojení napájení přístroj zapněte až po 10 vteřinách.
 - Pokud přístroj nepracuje, přístroj vypojte z napájení a vypněte jistič, aby nedošlo k nehodě a zajistíte kontrolu či opravu přístroje, jinak může dojít k požáru způsobeným zkratem.
 - Přístroj musí být spolehlivě uzemněn, jinak může dojít k zásahu elektrickým proudem.
 - Upozornění při instalaci: neinstalujte přístroj, pokud je připojené napájení.
 - Instalaci musí provádět speciálně vyškolená osoba, nebo pracovník, který byl proškolen a přezkoušen ze znalostí předpisů a norem týkajících se elektrických zařízení (paragraf 50). Pokud nebude montáž výrobku správně, může dojít k zásahu elektrickým proudem a požáru.
 - Toto zařízení nesmí používat lidé (včetně dětí) se sníženou psychickou, smyslovou nebo mentální poruchou, nebo s nedostatkem zkušeností a znalostí, pokud jim nebyl poskytnut bezpečný dohled při používání přístroje, nebo jim nebyly podány instrukce, jak s přístrojem bezpečně zacházet tak, aby nedošlo k úrazu.
 - Pokud je poškozen kabel přístroje, musí být nahrazen výrobcem, servisní osobou či jinou podobně kvalifikovanou osobou, aby nedošlo k úrazu.
-

Obsah balení

Přístroj 1ks

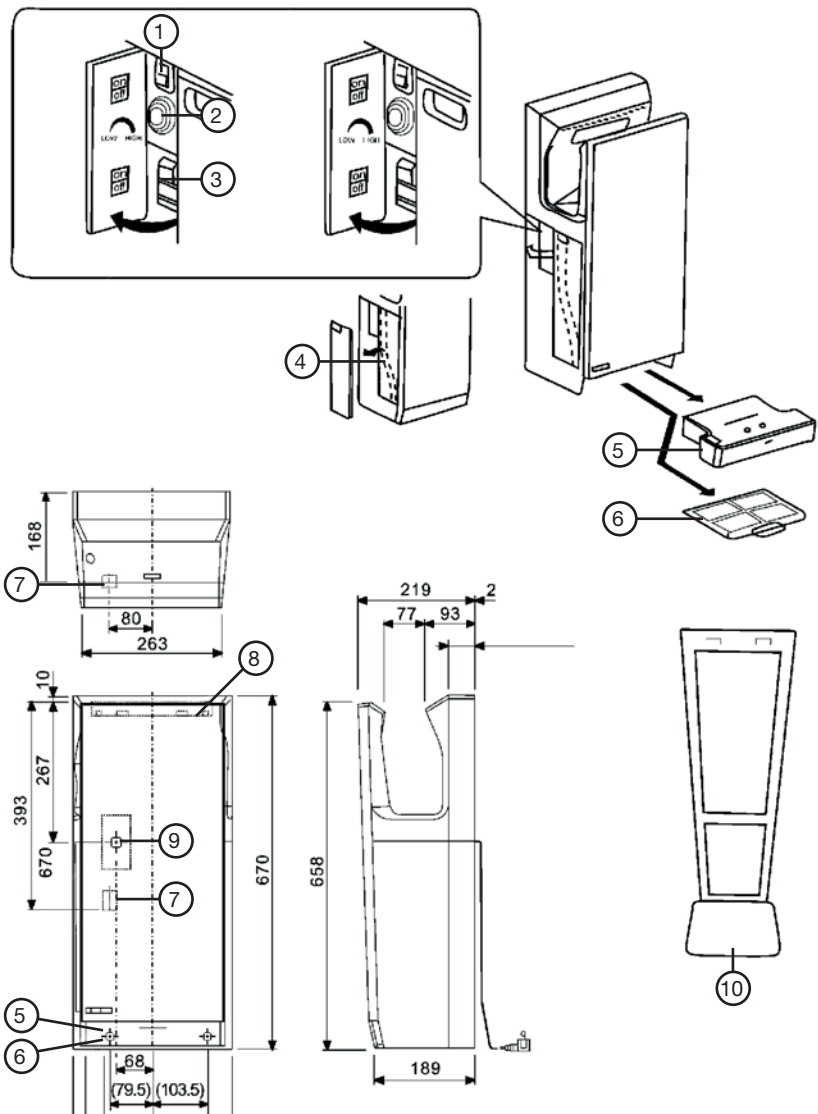
Montážní deska 1 ks

5 mm hmoždinky 6 ks

5x30 mm šrouby řezačky 6 ks

Návod k použití 1 ks

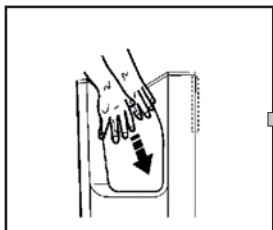
Rozměry a názvy dílů



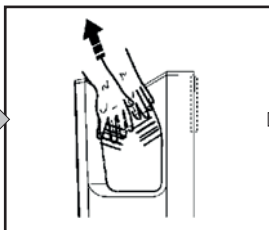
1. Zapínání topení
2. Rychlost otáček
3. Vypínač
4. Odtoková dráha
5. Nádržka na vodu

6. Filtr
7. Umístění terminálního boxu
8. Instalační panel
9. Napájecí kabel (zadní)
10. Instalační základna

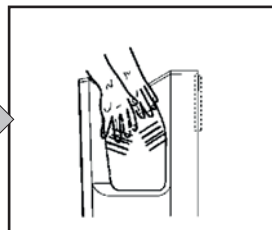
Používání přístroje



Natáhněte obě ruce a vložte je dovnitř přístroje. Zařízení se automaticky spustí.



Pomalu vytahujte ruce, nechte fukar, aby vám osušil ruce.



Vytáhněte ruce úplně ven.

Kontrolní indikátor

Pokud se objeví porucha nebo chyba, kontrolní indikátor na pravé straně se rozsvítí nebo zabliká. Vypněte hlavní vypínač, počkejte asi 40 vteřin, dokud se indikátor nevypne, poté zapněte hlavní vypínač.

Pokud indikátor pořád svítí nebo bliká, vypojte přístroj z napájení, vypojte přístroj ze zásuvky a okamžitě kontaktujte opraváře či servis.

Při používání přístroje

Zapněte hlavní vypínač.

Indikátor výkonu svítí.

UV světlo svítí.

Kryt napájení je zavřený.

Čištění těla přístroje

Přístroj umyjte měkkým hadříkem. Pokud je přístroj velmi špinavý, umyjte jej měkkým hadříkem namočeným v neutrálním čisticím prostředku, poté jej umyjte měkkým čistým hadříkem.

Odstraňujte špínu ze senzoru (aby se předešlo poruše).

Poznámka

Používejte pouze neutrální čisticí prostředek.

Nepoužívejte ředidlo, kyselé nebo alkalické záchodové čističe, nebo nylonové kartáče. (Jinak může dojít k poškození hladkého povrchu přístroje).

Alkohol používejte pouze na čištění místa, kde se suší ruce. (Nepoužívejte alkohol na žádná jiná místa).

Pokud používáte chemické tkaniny, nejdříve si přečtěte jejich instrukce.

Desinfekční prostředek může zničit přístroj.

Varování

Před čištěním přístroje, vypněte hlavní vypínač.

Na přístroj necákejte vodu.

Upozornění

Při čištění noste rukavice.

Antibakteriální ochrana není efektivní, pokud jsou plasty špinavé.

Sušení a čištění nádržky na vodu

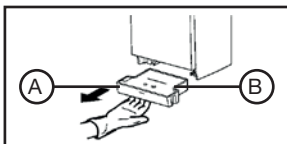
Předtím, než je plná (nejméně jednou týdně).

- Voda, která je odfouknutá z vašich rukou se nazývá "odkapávající voda".
- Nenechávejte vodu v nádržce, aby se nahromadila na plnou úroveň.
- Když nahromaděná voda zůstane v nádržce příliš dlouho, začne zapáchat.

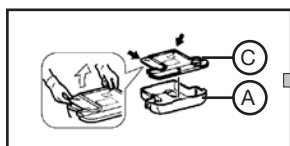
Vytáhněte nádržku horizontálním směrem ven.

To zajistí, že odkapávající voda nebude stříkat ven.

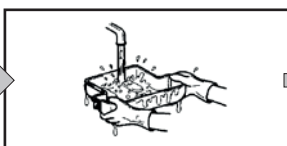
- A. spodní část nádržky
- B. nádržka
- C. víko



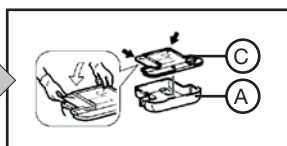
Otevřete víko a vyprázdněte nádržku.



Prsty zatáhněte víko ve směru šipky, která je na vrchu víka a poté víko úplně sundejte.



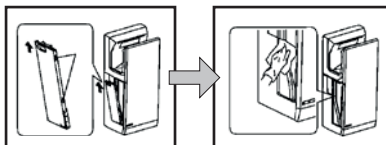
Umyjte vnitřek nádržky na vodu.



Zavřete víko nádržky na vodu a připevněte ji zpět do přístroje.

Otevřete postranní panel, vytřete jej hadříkem.

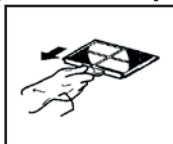
Pravidelné čištění odvodňovacích kanálků může efektivně omezit tvorbu bakterií.



Čištění vzduchového filtru

Asi jednou týdně.

Vyjměte vzduchový filtr.



Vyjměte ven vzduchový filtr.

Vyčistěte vzduchový filtr.



Filtr vyčistěte rukama nebo použijte vysavač.

Pokud je filtr velmi špinavý, vyčistěte jej studenou nebo teplou vodou.

Filtr připevněte zpět do přístroje.

Vložte ho celý dovnitř, dokud se nezacvakne. Pokud nebude filtr správně vložen na své místo, dovnitř přístroje se dostane špína a prach, což zkracuje životnost přístroje.

Poznámka:

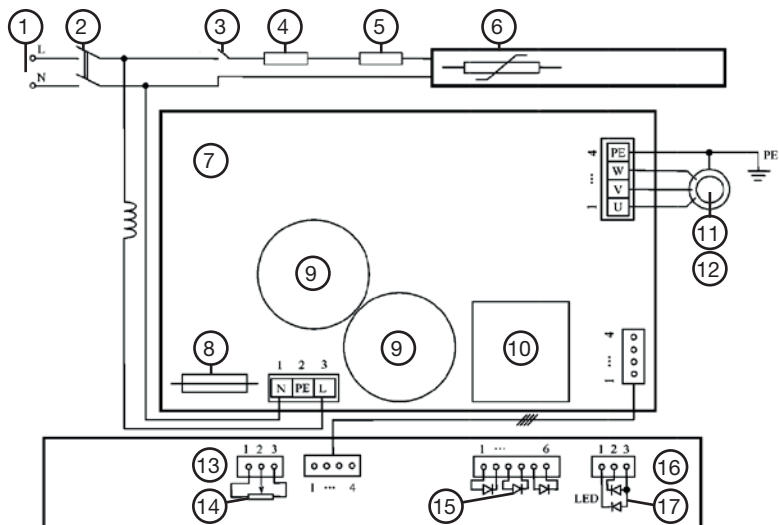
Pokud čistíte filtr vodou, vysušte jej co nejvíce. Filtr nevystavujte ohni.

Řešení potíží

Pokud objevíte následující problémy, řiďte se následujícími instrukcemi:

Problém	Kontrola	Akce
Při vložení rukou do přístroje nefouká vzduch.	Svítlí ukazatelé na displeji? Je zapnutý hlavní vypínač? Vkládáte celé ruce do přístroje?	Zkontrolujte jistič. Zapněte hlavní vypínač. Vložte ruce znovu do přístroje.
Přístroj pracuje ještě dlouho po vytáhnutí rukou z přístroje.	Není na senzoru nějaký cizí objekt nebo špína?	Vypněte hlavní vypínač a odstraňte špínu nebo cizí předmět ze senzoru, poté znovu zapněte hlavní vypínač.
Nefouká teplý vzduch.	V přístroji je zabudované topné těleso. Není na senzoru topného tělesa špína? Funguje pojistka uvnitř svorkovnice?	Je okolní teplota vyšší než 20°C? Vypojte přístroj z napájení, sundejte přední kryt. Uvnitř je svorkovnice. Sundejte kryt ze svorkovnice. Zkontrolujte, jestli funguje pojistka uvnitř svorkovnice.
Vzduch málo fouká.	Je rychlostní knoflík na nejnižší úrovni?	Zvyšte úroveň rychlosti foukání na rychlostním knoflíku.
Pokud při problému nefungují zmíněné opravy, vypojte přístroj z napájení a zemní jistič a zavolejte servisního technika, aby přístroj zkontroloval či opravil, pokud je to nutné.		

Elektrické schéma



- | | |
|---------------------------------|-------------------------------------------|
| 1. Napětí | 10. Transformátor |
| 2. Hlavní vypínač | 11. Bezsnižákový BLDC motor |
| 3. Vypínač tepla | 12. Bezsnižákový bezkartáčový motor |
| 4. Pojistka | 13. Infračervený přijímač řídicího motoru |
| 5. Tepelná pojistka | 14. Potenciometr rychlosti |
| 6. Elektrický termostat | 15. Infračervené vysílání |
| 7. Řídící obvod vysoušeče rukou | 16. Provozní instrukce |
| 8. Ochrana pojistky | 17. Indikátor napájení |
| 9. Kondenzátor | |

	Status		Status	Řešení
Kontrolka napájení	Svítl	Normální příkon	Nesvítl	Není napětí. Zkontrolujte zdroj napájení, vypojte hlavní vypínač.
			Poškozená pojistka.	
Stav kontrolky	Nesvítl	Nepracuje	Blikající	Chyba motoru. Zkontrolujte zapojení motoru, a zda, v motoru nejsou cizí předměty.
	Svítl pořád	Pracuje		Není čas provozu delší než 25s? Vyčistěte pracovní místo a spusťte přístroj znovu.

Opatření před instalací

Přístroj nainstalujte na následující místa, jinak může dojít k poruše přístroje:

- Na místa, kde teplota přesahuje -10°C nebo 40°C .
- Na místa, kde může přístroj přijít do přímého kontaktu s vodou.
- Do míst, kde je přístroj vystaven přímému slunečnímu záření.
- Do míst, kde je hodně vlhkosti.
- Do míst, kde se vyskytují korozivní, neutrální, nebo redukční plyny.
- Do míst, která jsou níže než -20 m a výše než 2000 m nadmořské výšky.

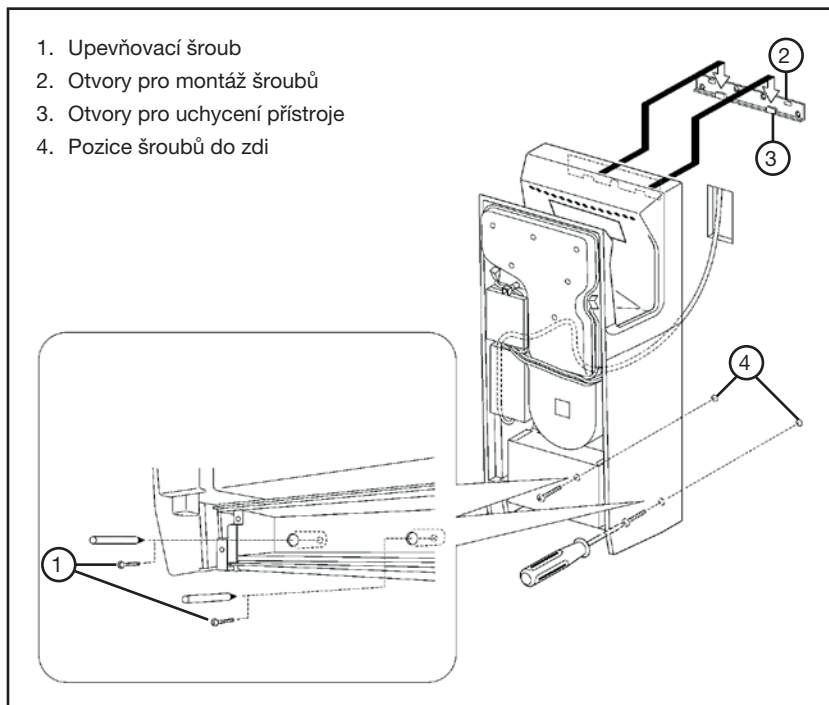
Místo instalace:

• Přístroj nainstalujte někde, kde se bude snadno používat, tak jako je vyobrazeno na obrázku. Pokud je přístroj nainstalován příliš nízko, může se do přístroje dostat voda, když se čistí podlaha. (Spodní část přístroje musí být nejméně 150 mm vysoko od země, nebo objektů pod ním).

- Levá strana zařízení musí být nejméně 150 mm od jakýchkoliv stěn, protože na levé straně se nachází hlavní vypínač.
- Ujistěte se, že blízko pravé strany přístroje nejsou žádná zrcadla nebo zdi, protože při sušení rukou mohou na přístroj spadnout kapky vody. (Doporučená vzdálenost je nejméně 100 mm).
- Vyhněte se instalaci do míst, kde do přístroje budou narážet lidé nebo dveře.
- Vyberte kompletně hladký povrch na zdi.

Instalace základny

• Pokud místo na zdi, kde chcete instalovat přístroj, není dost dobré a povrch zdi není dostatečně hladký, můžete si při instalaci pomoci instalační základnou.



Postup instalace

Zapojení přístroje je možné buď instalací do svorkovnice, nebo použitím kabelu se zástrčkou.

Použijte napájecí kabel, který je silný $1,5 \text{ mm}^2 - 2 \text{ mm}^2$ (jednožilové kabely silnější než $1,5 \text{ mm}^2 - 2 \text{ mm}^2$ nemohou být použity).

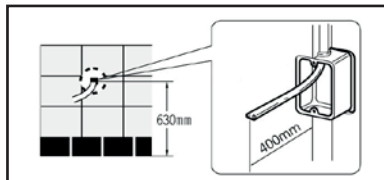
(Doporučujeme použít kabel, který není delší než 11 m, delší kabel by mohl způsobovat výpadky proudu).

Prosíme, před instalací produktu do svorkovnice z něj odstraňte elektrické vedení (kabel se zástrčkou).

1 Zapojení přístroje.

Vložte spínací skříňku na místo instalace a položte elektrické vedení (kombinace zeleného a žlutého drátu je uzemňovací).

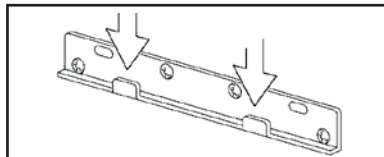
- Pokud nepoužijete spínací skříňku, napájecí kabel bude vytlačen ven a bude zabraňovat, aby přístroj byl těsně připevněn ke zdi.



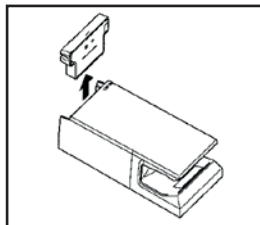
2 Ke zdi připevněte instalační panel za použití 6 šroubů.

Pokud je zeď pevná, betonová, použijte příslušné kovové šrouby.

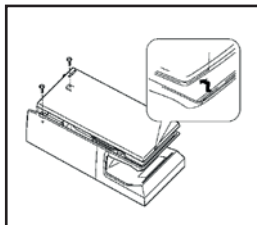
Pokud zeď není pevná, betonová, před instalací ji zpevněte.



3 Vyměňte vypouštěcí nádržku.

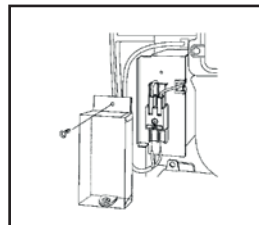


Sundejte přední panel.



- Odstraňte 2 šrouby.
- Vyměňte přední panel z upínacích otvorů.

Sundejte kryt svorkovnice.



- Vyndejte šrouby ze svorkovnice a vytáhněte kryt směrem k sobě.

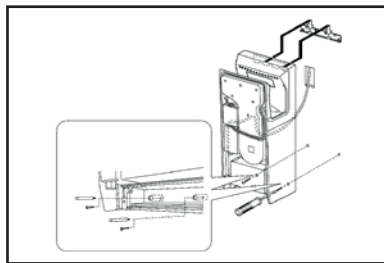
4 Vytáhněte samostatný napájecí kabel dovnitř přístroje a upevněte ho.

Prostrčte napájecí kabel otvorem pro napájecí kabel zespoda přístroje, spodní část připevněte k instalačnímu panelu na 3 háčky a přístroj přitlačte ke zdi a utáhněte jej šrouby.

Instalační šrouby nepřijďte pořádnou utáhnout, pokud nejsou háčky ze spodu instalačního panelu na svém místě. Ujistěte se, že za háčky je zcela zavěšen spodek zařízení.

Poznámka:

Ujistěte se, že přístroj je zavěšen na instalační panel a upevněn bezpečnostními šrouby, jinak zařízení může spadnout nebo být snadnou kořistí pro lupiče.



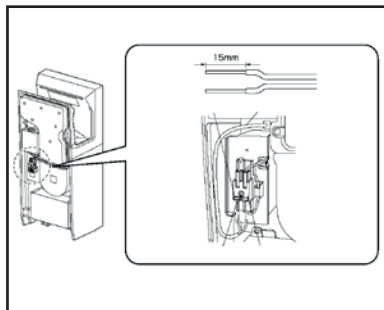
- 5 **Připojte svorkovnici (není tam polarita).**
Rozpojte dráty tak, jako je na obrázku vpravo.

Uvolněte šrouby ve svorkovnici a zapojte do ní napájecí kabel.

Před zapojením ochranného vodiče odstraňte ochranné těsnění přiložené ke svorkovnici.

Utáhněte šrouby ve svorkovnici a zatáhněte za napájecí kabel aby, jste se ujistili, že je pevně zajištěn.

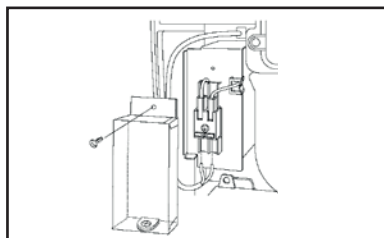
Pomocí klips svažte napájecí kabel do pravé strany svorkovnice, a upevněte jej.



- 6 **Přípevněte kryt svorkovnice.**
Kryt svorkovnice umístěte na správné místo tak, aby seděl otvor na otvoru a připevněte jej šrouby.

Ujistěte se, že napájecí kabel a ostatní dráty nejsou stlačeny.

Přední panel, nemůže být připevněn, pokud z krytu svorkovnice vyčnívají jakékoliv dráty. Dráty zastrčte, nebo je posuňte na pravou stranu krytu svorkovnice.



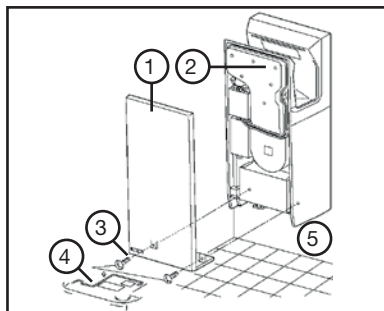
- 7 **Přípevněte přední panel.**
Vložte přední panel.

Upevněte jej 2 šrouby.

Přípevněte nádržku na vodu.

Ujistěte se, že vzduchový filtr je celý uvnitř.

1. Přední panel
2. Zařízení
3. Instalační šrouby
4. Nádržka na vodu
5. Vzduchový filtr.



Zkušební provoz

Krok	Kontrola	
1	Zkontrolujte napětí napájecího zařízení	Je použit střídavý AC 220-240 V 50/60 Hz proud?
2	Zapněte zemní jistič	
3	Zapněte hlavní vypínač	Svítlí ukazatel výkonu?
4	Vysušte si ruce	Fouká vzduch?
5	Zkontrolujte zařízení	Je jednotka nainstalovaná na pevně? Neslyšíte žádné vibrace nebo zvláštní zvuk?

Nezapínejte hlavní vypínač přístroje, když máte uvnitř přístroje ruce.

Pokud svítí nebo bliká kontrolní ukazatel, vypněte hlavní vypínač a znovu ho zapněte, až poté, co kontroly přestanou svítit nebo blikat (asi po 40 sekundách).

Technické parametry:



Napětí	AC 220-240 V
Frekvence	50/60 Hz
Příkon	1000 – 1300 W
Rychlost proudění vzduchu	95 – 100 m/s
Výkon topení	550 W
Motor	Bezkartáčový DC motor
Rozměry	300x219x670 mm
Čistá váha	9,5 kg

Česká verze návodu je přesným překladem originálního návodu výrobce.

Fotografie použité v manuálu jsou pouze ilustrační a nemusí se přesně shodovat s výrobkem.

Ďakujeme za nákup nášho výrobku.

Pred použitím prístroja si prosím prečítajte tento návod, vyhnite sa tak neodbornej manipulácii a zaobchádzaniu s prístrojom.

Odporúčame, aby ste sa sami nepokúšali inštalovať tento prístroj, ak nie ste skúsený servisný technik. Inak môže dôjsť k zníženiu bezpečnosti a nesprávnemu fungovaniu prístroja.

Prosíme, uschovajte si manuál pre budúce použitie.

Výhody

Sušenie rúk je hygienické, pretože sa nemusíte dotýkať prístroja.

Vďaka tomu, že sušenie rúk je veľmi rýchle, sú náklady na elektrinu menšie.

Neprodukuje žiadny odpad, pretože nie je potrebné používať uteráky ani papierové utierky

Žiadne znečistenie, vďaka použitiu antibakteriálnych a ekologických materiálov.

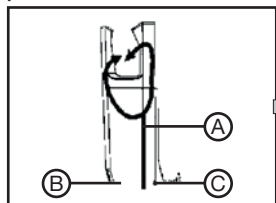
Vďaka tepelnému vypínaču, je možné nastaviť teplotu sušenia tak, aby boli ruky vysušené teplým alebo studeným vzduchom:

- Pokiaľ je kúrenie zapnuté na 1. stupeň, znamená to, že kúrenie je zapnuté, vzduch fúka teplý, okolitá teplota neovplyvňuje teplotu kúrenia.
- Pokiaľ je kúrenie zapnuté na 0. stupeň - kúrenie pracuje automaticky:
 - » Ak je okolitá teplota pod 20 ° C je kúrenie zapnuté a vzduch fúka teplý.
 - » Ak je okolitá teplota vyššia ako 20 ° C, kúrenie nie je zapnuté a ruky sú sušené studeným vzduchom.

Časovač proti poškodeniu

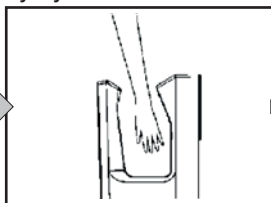
Nainštalovaný časovač zaistí, aby sa prístroj vypol zakaždým, keď pracuje 25 sekúnd. Vyberte ruky z prístroja a znovu ich do neho vložte, prístroj začne znovu pracovať.

Nie je potrebná hadica pre prívod vzduchu.



Oddelený prívod vzduchu.
Do tela prístroja nezateká voda.

Horné a dolné vzduchové trysky.



Zabraňujú striekaniu vody von z tela prístroja.

Ergonomické tvary pre pohodlné používanie.



Jednoduché použitie.

- A. prúd vzduchu
- B. vypoušťacia nádržka
- C. prívod vzduchu

Varovanie

Pokiaľ nebudete prístroj správne používať, môže dôjsť k zraneniu.

- Neotvárajte predný panel, inak môže dôjsť k zásahu elektrickým prúdom.
 - Deti sa nesmú vešať za prístroj, inak prístroj spadne.
 - Prístroj nepoužívajte vo vlhkom prostredí, napríklad blízko kúpeľne, kde môže prístroj prísť do priameho kontaktu s vodou a v miestach, kde sa tvorí para, inak môže dôjsť k zásahu elektrickým prúdom či ku skratu prístroja.
 - Zabráňte, aby bol prístroj mokrý, inak môže dôjsť k zásahu elektrickým prúdom.
 - Prístroj neupravujte ani nerozoberajte, pokiaľ to nie je nutné, inak môže dôjsť k požiaru, zásahu elektrickým prúdom, alebo k úrazu.
 - Ak sa tolerancia napätie líši o +/- 10% môže dôjsť k poruche prístroja. Ak bude použité nesprávne napájania, môže dôjsť k požiaru, zásahu elektrickým prúdom, alebo k poruche prístroja.
 - Prosíme, použite samostatnú zásuvku. Pokiaľ bude prístroj používaný s ďalšími zariadeniami, zásuvka sa môže prehrievať, čo môže viesť k požiaru.
 - Aby nedošlo k zásahu elektrickým prúdom pri údržbe prístroja, musia byť vypnuté napájanie.
 - Musí byť nainštalovaná nádržka a vzduchový filter. Po pripojení napájania prístroj zapnite až po 10 sekundách.
 - Ak prístroj nepracuje, prístroj vypojte z napájania a vypnite istič, aby nedošlo k nehode a zaistíte kontrolu či opravu prístroja, inak môže dôjsť k požiaru spôsobeným skratom.
 - Prístroj musí byť spoľahlivo uzemnený, inak môže dôjsť k zásahu elektrickým prúdom.
 - Upozornenie pri inštalácii: neinštalujte prístroj, ak je pripojené napájanie.
 - Inštaláciu musí vykonávať špeciálne vyškolená osoba, alebo pracovník, ktorý bol preškolený a preskúšaný zo znalostí predpisov a noriem týkajúcich sa elektrických zariadení (paragraf 50). Pokiaľ nebude montáž výrobku správne, môže dôjsť k zásahu elektrickým prúdom a požiaru.
 - Toto zariadenie nesmú používať osoby (vrátane detí) so zníženou psychickou, zmyslovou alebo mentálnou poruchou, alebo s nedostatkom skúseností a znalostí, pokiaľ im nebol poskytnutý bezpečný dohľad pri používaní prístroja, alebo im neboli podané inštrukcie, ako s prístrojom bezpečne zaobchádzať tak, aby nedošlo k úrazu.
 - Ak je poškodený kábel prístroja, musí byť nahradený výrobcom, servisnou osobou alebo inou podobne kvalifikovanou osobou, aby nedošlo k úrazu.
-

Obsah balenia

Prístroj 1ks

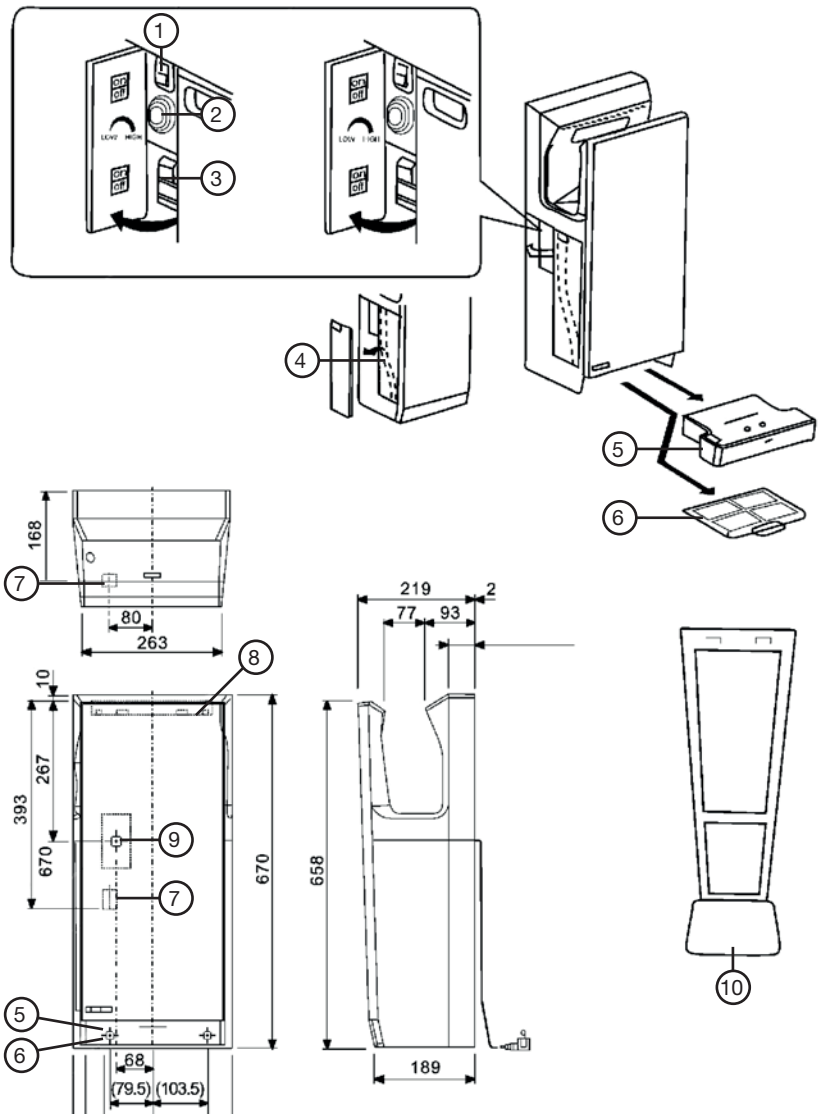
Montážna doska 1 ks

5 mm hmoždinky 6 ks

5x30 mm skrutky rezačky 6 ks

Návod na použitie 1 ks

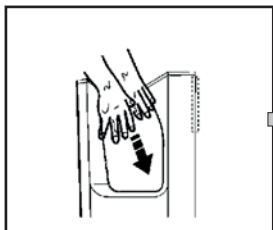
Rozmery a názvy dielov



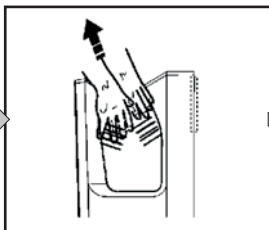
1. Zapínanie kúrenia
2. Rýchlosť otáčok
3. Vypínač
4. Odtoková dráha
5. Nádržka na vodu

6. Filter
7. Umístění terminálního boxu
8. Inštalací panel
9. Napájecí kábel (zadný)
10. Inštaláčnã základňa

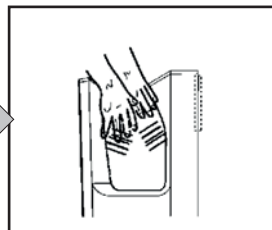
Používanie prístroja



Natiahnite obe ruky a vložte ich dovnútra prístroja. Zariadenie sa automaticky spustí.



Pomaly vyťahujte ruky, nechajte fukár, aby vám osušil ruky.



Vytiahnite ruky úplne von.

Kontrolný indikátor

Ak sa objaví porucha alebo chyba, kontrolný indikátor na pravej strane sa rozsvieti alebo zabliká.

Vypnite hlavný vypínač, počkajte asi 40 sekúnd, kým sa indikátor nevypne, potom zapnite hlavný spínač.

Ak indikátor stále svieti alebo bliká, vypojte prístroj z napájania, vypojte prístroj zo zásuvky a okamžite kontaktujte opravára či servis.

Pri používaní prístroja

Zapnite hlavný spínač.

Indikátor výkonu svieti.

UV svetlo svieti.

Kryt napájania je zatvorený.

Čistenie tela prístroja

Prístroj umyte mäkkou handričkou. Pokiaľ je prístroj veľmi špinavý, umyte ho mäkkou handričkou namočenou v neutrálnom čistiacom prostriedku, potom ho umyte mäkkou čistou handričkou.

Odstraňujte špinu zo senzora (aby sa predišlo poruche).

Poznámka

Používajte iba neutrálny čistiaci prostriedok.

Nepoužívajte riedidlo, kyslé alebo alkalické záchodové čističe, alebo nylonové kefy. (Inak môže dôjsť k poškodeniu hladkého povrchu prístroja).

Alkohol používajte iba na čistenie miesta, kde sa suší ruky. (Nepoužívajte alkohol na žiadne ine miesta).

Ak používate chemické tkaniny, najskôr si prečítajte ich inštrukcie.

Dezinfekčný prostriedok môže zničiť prístroj.

Varovanie

Pred čistením prístroja, vypnite hlavný vypínač.

Na prístroj nestriekajte vodu.

Upozornenie

Pri čistení noste rukavice.

Antibakteriálna ochrana nie je efektívne, ak sú plasty špinavé.

Sušenie a čistenie nádržky na vodu

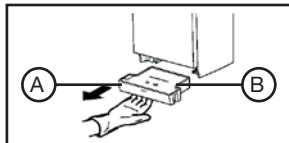
Predtým, než je plná (najmenej raz týždenne).

- Voda, ktorá je odľúknutá z vašich rúk sa nazýva „odkvapkávajúca voda“.
- Nenechávajúte vodu v nádržke, aby sa nahromadila na plnú úroveň.
- Keď nahromadená voda zostane v nádržke príliš dlho, začne zapáchať.

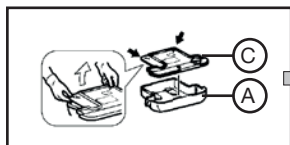
Vyťahnite nádržku horizontálnym smerom von.

To zaisťuje, že odkvapávajúca voda nebude striekať von.

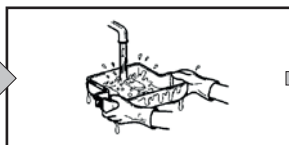
- A. Spodná časť nádržky
- B. Nádržka
- C. Veko



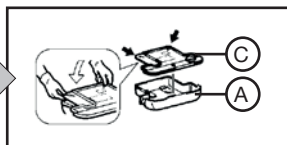
Otvorte veko a vyprázdňte nádržku.



Prstami zatiahnite veko v smere šípky, ktorá je na vrchu veka a potom veko úplne zložte.



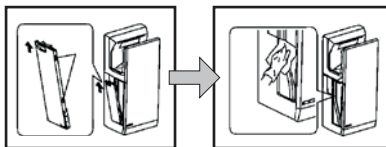
Umyte vnútro nádržky na vodu.



Zatvorte veko nádržky na vodu a pripevnite ju späť do prístroja.

Otvorte bočný panel, vytrite ho handričkou.

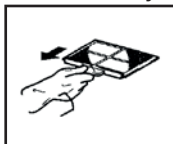
Pravidelné čistenie odvodňovacích kanálikov môže efektívne obmedziť tvorbu baktérií.



Čistenie vzduchového filtra

Asi raz týždenne.

Vyberte vzduchový filter.



Vyberte von vzduchový filter.

Vyčistíte vzduchový filter.



Filter vyčistíte rukami alebo použijete vysávač.

Ak je filter veľmi špinavý, vyčistíte ho studenou alebo teplou vodou.

Filter pripevnite späť do prístroja.

Vložte ho celý dovnútra, až kým sa nezacvakne. Pokiaľ nebude filter správne vložený na svoje miesto, dovnútra prístroja sa dostane špina a prach, čo skracuje životnosť prístroja.

Poznámka:

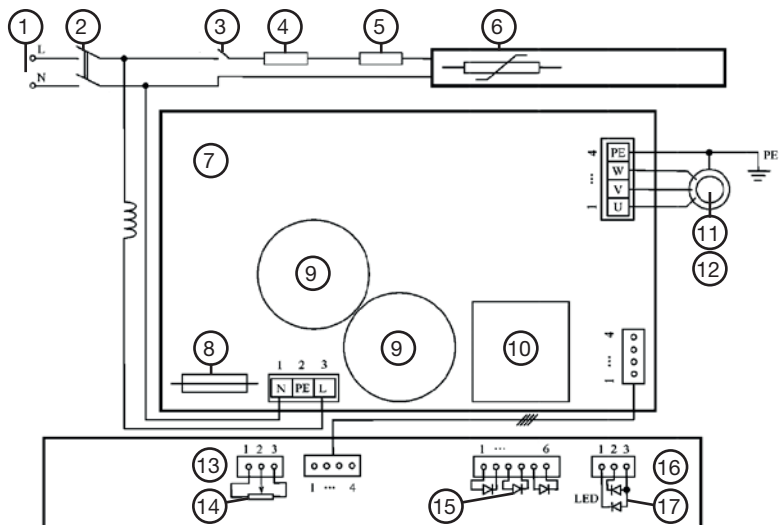
Ak čistíte filter vodou, vysušte ho čo najviac. Filter nevystavujte ohňu.

Riešenie problémov

Pokiaľ objavíte nasledujúce problémy, riadte sa nasledujúcimi inštrukciami:

Problém	Kontrola	Akcia
Pri vložení rúk do prístroja nefúka vzduch.	Svieti ukazovatele na displeji? Je zapnutý hlavný vypínač? Vkladáte celé ruky do prístroja?	Skontrolujte istič. Zapnite hlavný vypínač. Vložte ruky znovu do prístroja.
Prístroj pracuje ešte dlho po vytiahnutí rúk z prístroja.	Nie je na senzore nejaký cudzí objekt alebo špina?	Vypnite hlavný vypínač a odstráňte špinu alebo cudzí predmet zo senzoru, potom znovu zapnite hlavný vypínač.
Nefúka teplý vzduch.	V prístroji je zabudované vykurovacie teleso. Nie je na senzore vykurovacieho telesa špina? Funguje poistka vnútri svorkovnice?	Je okolitá teplota vyššia ako 20°C? Vypojte prístroj z napájania, zložte predný kryt. Vnútri je svorkovnica. Zložte kryt zo svorkovnice. Skontrolujte, či funguje poistka vnútri svorkovnice.
Vzduch málo fúka.	Je rýchlostný gombík na najnižšej úrovni?	Zvýšte úroveň rýchlosti fúkania na rýchlostnom gombíku.
Pokiaľ pri probléme nefungujú spomenuté opravy, vypojte prístroj z napájania a zemný istič a zavolajte servisného technika, aby prístroj skontroloval či opravil, ak je to nutné.		

Elektrická schéma



- | | |
|------------------------------|---------------------------------------------|
| 1. Napätie | 10. Transformátor |
| 2. Hlavný vypínač | 11. Bezsnímačový bldc motor |
| 3. Vypínač tepla | 12. Bezsnímačový bezkartáčový motor |
| 4. Poistka | 13. Infračervený prijímač riadiaceho motora |
| 5. Tepelná poistka | 14. Potenciometer rýchlosti |
| 6. Elektrický termostat | 15. Infračervené vysielanie |
| 7. Riadiaci obvod sušiča rúk | 16. Prevádzkové inštrukcie |
| 8. Ochrana poistky | 17. Indikátor napájania |
| 9. Kondenzátor | |

	Status		Status		Riešenie
Kontrolka napájania	Svieti	Normálny výkon	Nesvieti	Nie je napätie.	Skontrolujte zdroj napájania, odpojte hlavný vypínač.
				Poškodená poistka.	
Stav kontrolky	Nesvieti	Nepracuje	Blikajúci	Chyba motora.	Skontrolujte, zapojenie motora, a či, v motore nie sú cudzie predmety.
	Svieti stále	Pracuje		Nie je čas prevádzky dlhší ako 25s?	Vyčistite pracovné miesto a spustite prístroj znovu.

Opatrenia pred inštaláciou

Prístroj nainštalujte na nasledujúce miesta, inak môže dôjsť k poruche prístroja:

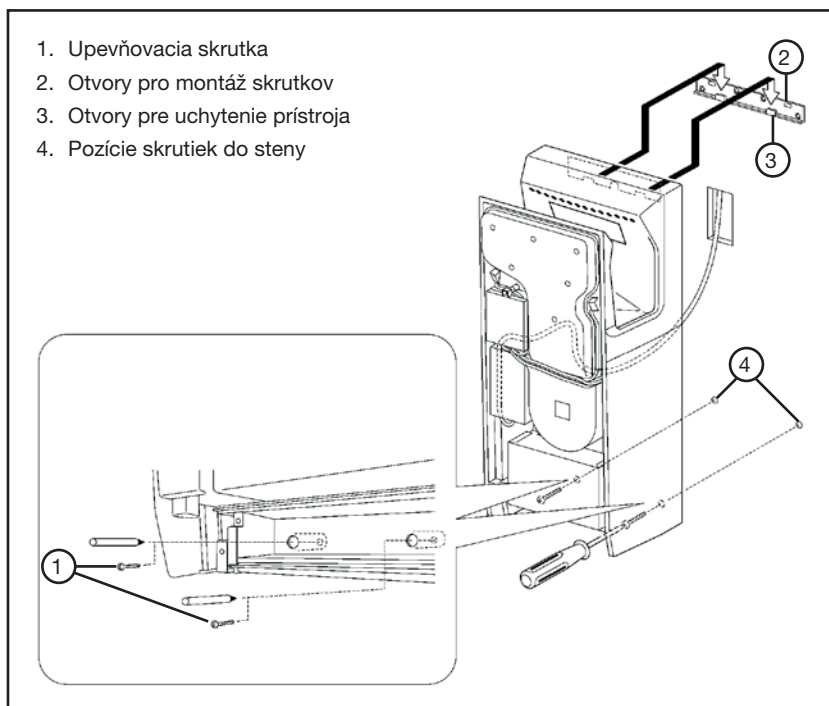
- Na miesta, kde teplota presahuje $-10\text{ }^{\circ}\text{C}$ alebo $40\text{ }^{\circ}\text{C}$.
- Na miesta, kde môže prístroj prísť do priameho kontaktu s vodou.
- Na miesta, kde je prístroj vystavený priamemu slnečnému žiareniu.
- Na miesta, kde je veľa vlhkosti.
- Na miesta, kde sa vyskytujú korozívne, neutrálne, alebo reduktívnu plyny.
- Na miesta, ktoré sú menej ako -20 m a viac ako 2000 m nadmorskej výšky.

Miesta inštalácie:

- Prístroj nainštalujte niekam, kde sa bude ľahko používať, tak ako je vyobrazené na obrázku. Pokiaľ je prístroj nainštalovaný príliš nízko, môže sa do prístroja dostať voda, keď sa čistí podlaha. (Spodná časť prístroja musí byť najmenej 150 mm vysoko od zeme, alebo objektov pod ním).
- Ľavá strana zariadenia musí byť najmenej 150 mm od akýchkoľvek stien, pretože na ľavej strane sa nachádza hlavný vypínač.
- Uistite sa, že blízko pravej strany prístroja nie sú žiadne zrkadlá alebo múry, pretože pri sušení rúk môžu na prístroj spadnúť kvapky vody. (Odporúčaná vzdialenosť je najmenej 100 mm).
- Vyhnite sa inštalácii do miest, kde do prístroja budú narážať ľudia alebo dvere.
- Vyberte kompletne hladký povrch na stene.

Inštalácia základne

- Ak miesto na stene, kde chcete inštalovať prístroj, nie je dosť dobré a povrch steny nie je dostatočne hladký, môžete si pri inštalácii pomôcť inštaláčnou základňou.



Postup inštalácie

Zapojenie prístroja je možné buď inštaláciou do svorkovnice, alebo použitím kábla so zástrčkou.

Použite napájací kábel, ktorý je silný 1,5 mm² - 2 mm² (jednožilové káble silnejšie ako 1,5 mm² - 2 mm² nemôžu byť použité).

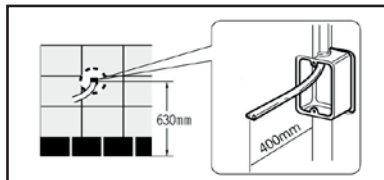
(Odporúčame použiť kábel, ktorý nie je dlhší ako 11 m, dlhší kábel by mohol spôsobovať výpadky prúdu).

Prosíme, pred inštaláciou produktu do svorkovnice z neho odstráňte elektrické vedenie (kábel so zástrčkou).

1 Zapojenie prístroja.

Vložte spínaciu skrinku na miesto inštalácie a položte elektrické vedenie (kombinácia zeleného a žltého drôtu je uzemňovacie).

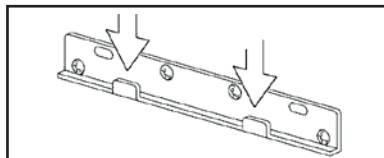
- Ak nepoužijete spínaciu skrinku, napájací kábel bude vytlačený von a bude zabraňovať, aby prístroj bol tesne pripevnený k stene.



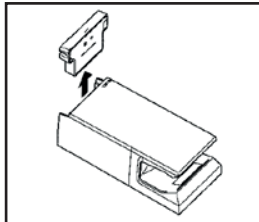
2 K stene pripevnite inštalačný panel za použitia 6 skrutiek.

Ak je múr pevný, betónový, použite príslušné kovové skrutky.

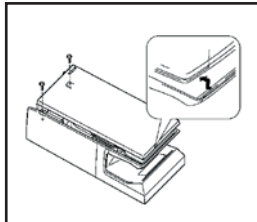
Ak múr nie je pevný, betónový, pred inštaláciou ju spevnite.



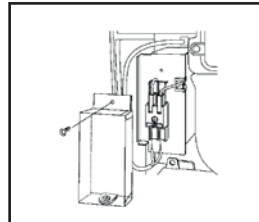
3 Vyberte vypúšťaciu nádržku.



Zložte predný panel.



Zložte kryt svorkovnice.



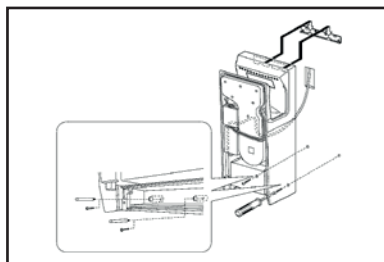
- Odstráňte 2 skrutky.
- Odstráňte predný panel z upínacích otvorov.

- Vyberte skrutky zo svorkovnice a vytiahnite kryt smerom k sebe.

4 Vytiahnite samostatný napájací kábel dovnútra prístroja a upevnite ho.

Prestrčte napájací kábel otvorom pre napájací kábel zospodu prístroja, spodná časť pripevnite k inštalačnému panelu na 3 háčiky a prístroj pritlačte k stene a utiahnite ho skrutky.

Inštalačné skrutky nepôjdu poriadnu utiahnuť, ak nie sú háčiky zo spodu inštalačného panelu na svojom mieste. Uistite sa, že za háčiky sú úplne zavesené na spodok zariadenia.



Poznámka:

Uistite sa, že prístroj je zavesený na inštalačný panel a upevnený bezpečnostnými skrutkami, inak zariadenie môže spadnúť alebo byť ľahkou korisťou pre lupiča.

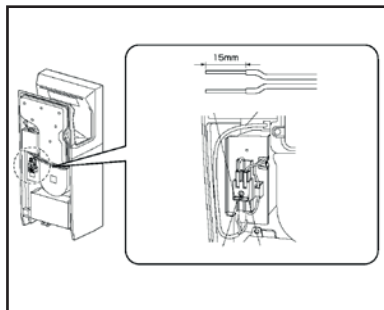
- 5** **Pripojte svorkovnicu (nie je tam polarita).**
Rozpojte drôty tak, ako je na obrázku vpravo.

Uvoľnite skrutky v svorkovnici a zapojte do nej napájací kábel.

Pred zapojením ochranného vodiča odstráňte ochranné tesnenie priložené k svorkovnici.

Zatiahnite skrutky v svorkovnici a potiahnite napájací kábel aby, ste sa uistili, že je pevne zaistený.

Pomocou klipov zviažte napájací kábel do pravej strany svorkovnice, a upevnite ho.

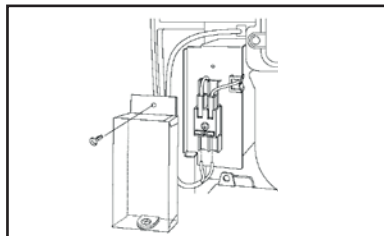


- 6** **Pripevnite kryt svorkovnice.**

Kryt svorkovnice umiestnite na správne miesto tak, aby sedel otvor na otvore a pripevnite ho skrutkami.

Uistite sa, že napájací kábel a ostatné drôty nie sú stlačené.

Predný panel, nemôže byť pripevnený, pokiaľ z krytu svorkovnice vyčnievajú akékoľvek drôty. Drôty zastrčte, alebo ich posuňte na pravú stranu krytu svorkovnice.



- 7** **Pripevnite predný panel.**

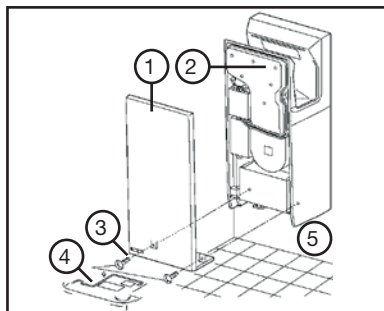
Vložte predný panel.

Upevnite ho 2 skrutkami.

Pripevnite nádržku na vodu

Uistite sa, že vzduchový filter je celý vnútri.

1. Predný panel
2. Zariadenie
3. Instalačné skrutky
4. Nádržka na vodu
5. Vzduchový filter.



Zkušební provoz

Krok		Kontrola
1	Skontrolujte napätie napájacieho zariadenia	Je použitý striedavý AC 220-240 V 50/60 Hz prúd?
2	Zapnite zemný istič	
3	Zapnite hlavný vypínač	Svieti ukazovateľ výkonu?
4	Vysušte si ruky	Fúka vzduch?
5	Skontrolujte zariadenie	Je jednotka nainštalovaná na pevno? Nepočujete žiadne vibrácie alebo zvláštny zvuk?

Nezapínajte hlavný vypínač prístroja, keď máte vo vnútri prístroja ruky.

Ak svieti alebo bliká kontrolný ukazovateľ, vypnite hlavný vypínač a znovu ho zapnite, až potom, čo kontrolky prestanú svietiť alebo blikat' (asi po 40 sekundách).

Technické parametre:



Napätie	AC 220-240 V
Frekvencia	50/60 Hz
Výkon	1000 – 1300 W
Rýchlosť prúdenia vzduchu	95 – 100 m/s
Výkon kúrenia	550 W
Motor	Bezkartáčový DC motor
Rozmery	300x219x670 mm
Čistá váha	9,5 kg

Slovenská verzia návodu je presným prekladom originálneho návodu výrobcu.
Fotografie použité v návode sú len ilustračné a nemusia sa presne zhodovať s výrobkom.

Köszönjük, hogy megvásárolta termékünket.

Használat előtt kérjük olvassa el a használati útmutatót, így megelőzheti az eszköz helytelen használatát.

Doporučujeme, abyste se sami nepokoušeli instalovat tento přístroj, pokud nejste zkušený servisní technik. Jinak může dojít ke snížení bezpečnosti a nesprávnému fungování přístroje.

Prosíme, uschovejte si manuál pro příští použití.

Előnyök

A készárítás rendkívül higiénikus, mivel nem kell a készüléket megérintenie.

Köszönhetően annak, hogy a készárítás nagyon gyors, spórolhat az energiák költségein.

Nem termel hulladékot, nincs szükség sem törölközőre vagy papírtörőre.

Nincs környezetszennyezés köszönhetően az antibakteriális és környezetbarát anyagoknak.

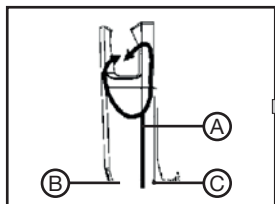
Köszönhetően a termikus kapcsolóknak, lehetséges beállítani a szárítási hőmérsékletet, hogy a keze meleg vagy hideg levegővel legyen szárítva:

- Amikor a fűtőelem be van kapcsolva 1. fokozaton, ez azt jelenti, hogy a fűtés be van kapcsolva, meleg levegőt fúj, a környezeti hőmérséklet nem befolyásolja a fűtési hőmérsékletet.
- Ha a fűtőberendezést 0. fokozaton van – a fűtés automatikusan működik:
 - » Ha a környezeti hőmérséklet 20 ° C alatt van, a fűtőelem be van kapcsolva, és a meleg levegő fúj.
 - » Ha a környezeti hőmérséklet 20 ° C felett van, akkor a fűtés ki van kapcsolva és a készülék hideg levegőt fúj.

Időzítő meghibásodás ellen

Telepített időzítő gondoskodik arról, hogy a készülék kikapcsol minden alkalommal ha 25 másodpercig működik. Vegye ki kezeit, majd helyezze be őket újra, a készülék újra működik.

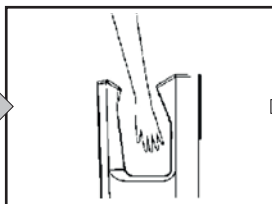
Nincs szükség levegő tömlőre.



Külön szellőztető.

A készülékbe nem folyik bele a víz.

Felső és az alsó levegő fúvókák.



Megátalja a víz szétfröcskölését a készülékből.

Ergonomikus kialakítás a kényelmes használatért.



Egyszerű használat.

- A. Légaramlás
- B. Kiengedő tartály
- C. Bejövő légáram

Figyelmeztetés

Amennyiben nem helyesen van a készülék használva, sérülés következhet be.

- Ne nyissa ki az előlapot, különben áramütést okozhat.
 - A gyermekek ne akasszák fel a készüléket, különben a készülék leesik.
 - Ne használja nedves környezetben, például közel a fürdőszobában, ahol a készülék közvetlenül érintkezésbe lépnek a vízzel, és olyan helyeken, ahol a gőz formájában érintkezik nedvességgel, ez áramütést okozhat vagy rövidzárlatot az eszközben.
 - Ne engedje, hogy a készüléket nedves legyen, mivel ez áramütést okozhat.
 - Ne módosítsa és ne szedje szét, hacsak nem szükséges, mert ellenkező esetben tüzet, áramütést vagy sérülést okozhat.
 - Ha a feszültség tolerancia változik +/- 10% meghibásodást okozhat. Ha a hálózati feszültség nem megfelelően használt, ez okozhat tüzet, áramütést, vagy működési hibát.
 - Használja a külön aljzatban a készüléket. Amennyiben az eszközt együtt használják más eszközökkel, a dugó túlmelegedhet, ami oda vezethet, hogy tűz alakul ki.
 - Az áramütés elkerülése érdekében a karbantartás során a készüléket ki kell kapcsolni az áramellátásból.
 - Fel kell telepíteni a tartályt és a légszűrőt. Az eszköz csatlakoztatása után kapcsolja be 10 másodperc után.
 - Ha a készülék nem működik, húzza ki a készüléket az elektromos hálózatról, és kapcsolja ki a megszakítót a balesetek megelőzésére, biztosítsa az ellenőrzést és javítást, hogy ne okozzon tüzet rövidzárlat miatt.
 - A készülék megbízhatóan kell földelni, különben áramütést okozhat..
 - Megjegyzés telepítéshez: Ne telepítse a készüléket, ha a készülék csatlakoztatva van.
 - A telepítést szakképzett személy, vagy a munkavállaló kell hogy végezze, aki már képzett és tesztelték tudásukat az előírások és szabványok szerint az elektromos berendezésekre vonatkozóan (50. §). Amíg a telepítés nem helyes a termék működtetése eredményezhet áramütést és tüzet.
 - A készüléket nem használják olyan személyek (beleértve a gyerekeket), akik csökkent fizikai, érzékszervi vagy mentális zavarral küzdenek, illetve nem rendelkeznek tapasztalattal és ismeretekkel, hacsak nem kaptak biztonságos felügyeletet illetve útmutatást a készülék biztonságos kezelését illetően. Fontos a sérülések megelőzése érdekében.
 - Ha a vezeték megsérült a készüléket ki kell cserélni a gyártónál, szolgáltatónál vagy egyéb szakképzett személy végezheti a sérülések elkerülése érdekében.
-

A csomagolás tartalma

Készülék 1db

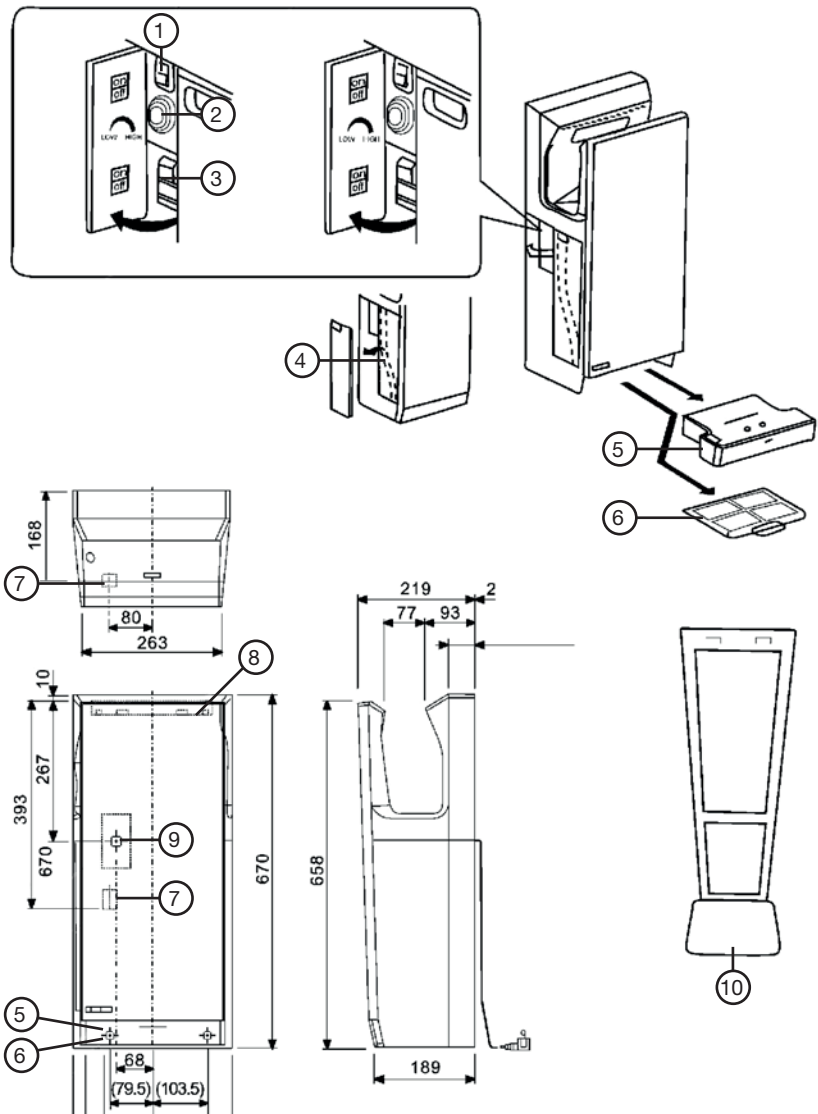
Telepítő panel 1 db

5 mm tipli/dugók 6 sb

5x30 mm csavar 6 db

Használati útmutató 1 db

Az egyes részek neve és méretei



1. Fűtés kapcsoló

2. Fordulatok gyorsasága

3. Kikapcsoló

4. Elfolyási útvonal

5. Víz tartó tartály

6. Szűrő

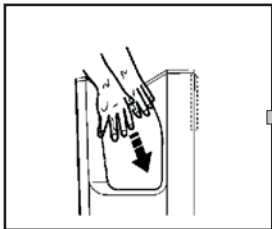
7. Terminal doboz elhelyezése

8. Telepítő panel

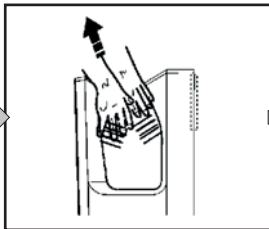
9. Csatlakoztató kábel (hátsó)

10. Telepítési alap

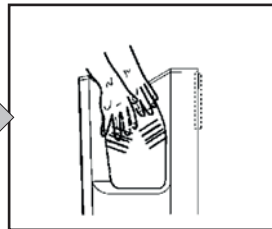
A készülék használata



Helyezze mindkét kezét a készülék belsejébe. A készülék automatikusan elindítja.



Lassan húzza ki a kezét, hagyja hogy a fúvó szárítsa a kezét.



Húzza teljesen ki a kezeit.

Ellenőrző mutató

Ha megjelenik egy hiba vagy gond merül fel az ellenőrző lámpa jobb oldalon bekapcsol vagy villog. Kapcsolja ki a főkapcsolót, várjon legalább 40 másodpercig, amíg a fény kialszik, majd kapcsolja be a hálózati kapcsolót.

Ha a lámpa még mindig világít vagy villog, húzza ki a készüléket az elektromos hálózatról, húzza ki a készüléket a fali aljzatból és azonnal lépjen kapcsolatba egy szerelővel vagy szervisszel.

A készülék használatakor

Kapcsoljába a főkapcsolót.

A jelző lámpa világít.

UV fény világít.

A csatlakozás fedlapja le van zárva.

A készülék testének tisztítása

Használjon puha ruhát a tisztításhoz. Ha a berendezés nagyon piszkos, mossuk le egy puha ruhával semleges tisztítószerrel, majd törölje le egy puha tiszta ruhával.

Távolítsa el a szennyeződést az érzékelőről (hogy ne hibásodjon meg).

Megjegyzés

Csak semleges tisztítószerrel tisztítsa.

Ne használjon hígítót, savas vagy lúgos WC-tisztítók, vagy nylon keféket. (Ez károsíthatja a sima felület a terméken).

Alkohollal csak olyan helyeket tisztítson, ahol a kézszáritás történik. (Ne használjon alkoholt semmilyen más helyeken).

Ha kémiai anyagokat használ, először olvassa el az utasításokat.

Fertőtlenítő tönkretelheti az eszközt.

Figyelmeztetés

Tisztítás előtt kapcsolja ki a főkapcsolót.

Ne öntsön vizet a készülékre.

Megjegyzés

Használjon kesztyűt a tisztításkor.

Az antibakteriális védelem nem hatékony, ha piszkos a műanyag.

A víztartály szárítása és tisztítása

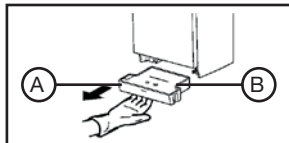
Mielőtt megtelne (legalább hetente egyszer).

- A vizet, amelyet a készülék lefúj a kezéről, 'lecepegő víznek' nevezik.
- Ne hagyja a vizet a tartályban kell összegyűjteni, hogy a teljes szintet elérje.
- Ha túlságosan hosszú ideig felgyülemlik a víznek elkezd szaga lenni.

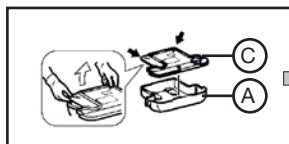
Húzza ki a tartályt vízszintesen kifelé.

Ez biztosítja, hogy a víz nem fog kicsepegni.

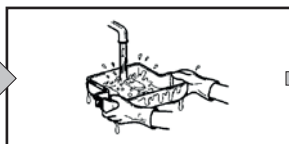
- A. A tartály alsó része
- B. Tartály
- C. Fedél



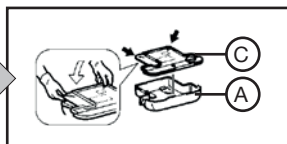
Nyissa ki a fedelet .



Húzza meg kézzel a fedelet a nyíl irányába, ami a fedélen van, majd vegye le a fedelet teljesen.



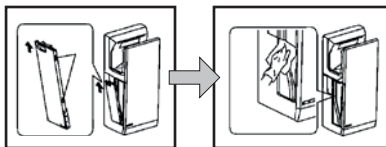
Mossa ki a tartály belsejét.



Zárja be a tartály fedelét és erősítse újra a készülékhez.

Nyissa ki az oldalsó panel, törölje ruhával.

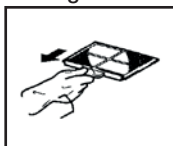
A rendszeres tisztítás vízelvezető csatornák hatékonyan csökkentik a baktériumok felhalmozódását.



Légszűrő tisztítása

Körülbél egyszer hetente.

Vegye ki a légelvezető szűrőt.



Vegye ki a légszűrőt.

Tisztítsa ki a légszűrőt.



Tisztítsa kézzel vagy használjon porszívót.

Ha a szűrő nagyon piszkos mossa le hideg vagy meleg vízzel.

Helyezze vissza a szűrőt a készülékre.

Tegye az egészet a belsejébe kattanásig. Ha a szűrő nincs megfelelően a helyére téve a készülék belsejébe por és piszok jut, megrövidítve a készülék élettartamát.

Megjegyzés:

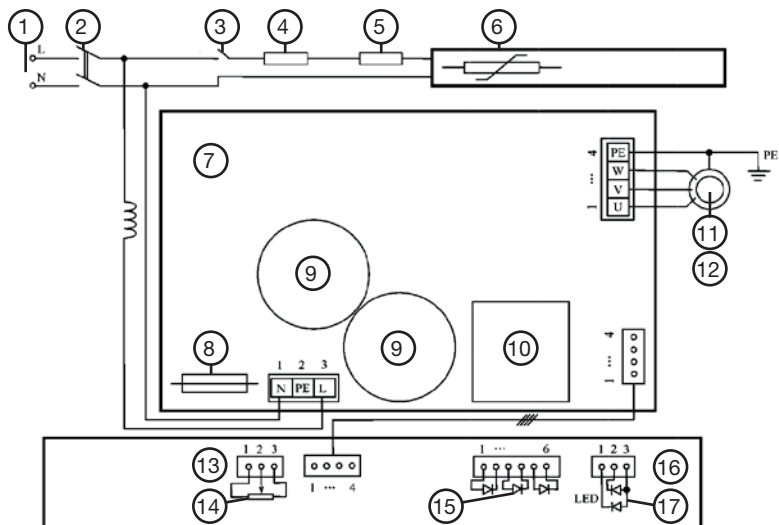
Ha vízzel tisztítja a szűrőt, szárítsa ki a lehető legjobban. Tűz ne érje.

Probléma megoldás

Amennyiben problémák lépnek fel, az alábbi megoldásokkal járjon el:

Probléma	Ellenőrzés	Tennivaló
A kéz betételek nem fűj levegőt.	Jelzők világítanak a kijelzőn? Be van kapcsolva? Behelyezéskor az egész kezét a készülékbe helyezi?	Ellenőrizze a megszakítót. Kapcsolja ki a hálózati kapcsolót. Helyezze kezeit ismét a készülékbe.
A készüléka kezek kivétele után még sokáig dolgozik.	Nincs a szenzoron egy idegen tárgy vagy szennyeződés?	Kapcsolja ki a készüléket, és távolítsa el a szennyeződéseket, vagy idegen tárgyat, majd kapcsolja be a hálózati kapcsolót.
Em fűj meleg levegőt.	A készülékben beépített fűtőtest van.. Nincs esetleg szennyeződés a fűtőtesten? Működik a biztosíték a terminál belsejében?	A környezeti hőmérséklet 20°C felett? Húzza ki a készüléket az elektromos hálózatról, távolítsa el az előlapot. A terminálon belül. Vegye le a fedelet a terminál. Ellenőrizze, hogy a biztosítékot.
A levegő gyengén fűj.	A gyorsasági gomb a legalacsonyabb fokozaton van?	Állapítsa meg a fűjás minőségét a gyorsasági gomb segítségével.
Amennyiben az említett kérdés javítása nem működik, húzza ki a készüléket az elektromos hálózatról és hívjon szerelőt, hogy ellenőrizze, illetve ha szükséges javítsa a készüléket.		

Elektromos séma



- | | |
|-------------------------------|---------------------------------------|
| 1. Feszültség | 10. Transzformátor |
| 2. Főkapcsoló | 11. Érzékelőmentes bldc motor |
| 3. Meleg kikapcsolása | 12. Érzékelőmentes kefe nélküli motor |
| 4. Biztosíték | 13. Infravörös motorvezérlő vevő |
| 5. Melegítő biztosíték | 14. Gyorsaság potenciométer |
| 6. Elektromos termosztat | 15. Infravörös közvetítés |
| 7. Vezérlő áramkör kézzártító | 16. Használati instrukciók |
| 8. Biztosíték védő | 17. Csatlakozás jelző |
| 9. Kondenzátor | |

	Állapot	Állapot	Állapot	Megoldás
Csatlakozás jelző	Világít	Normális teljesítmény	Nem világít	Nincs feszültség. Ellenőrizze a csatlakozást. Kapcsolja ki a főkapcsolót.
			Meghibásodott biztosíték.	
Jelző állapota	Nem világít	Nem dolgozik	Villog	Motorhiba. Ellenőrizze a motor állapotát, hogy nincsenek e idegen tárgyak a motorban.
	Állandóan világít	Dolgozik		Nem hosszabb a működés mint 25 másodperc? Tisztítsa a munkafelületet és indítsa újra.

Intézkedések a telepítés előtt

Ne telepítse a következő helyeken, mert ez hibás működést okozhat a készülékben:

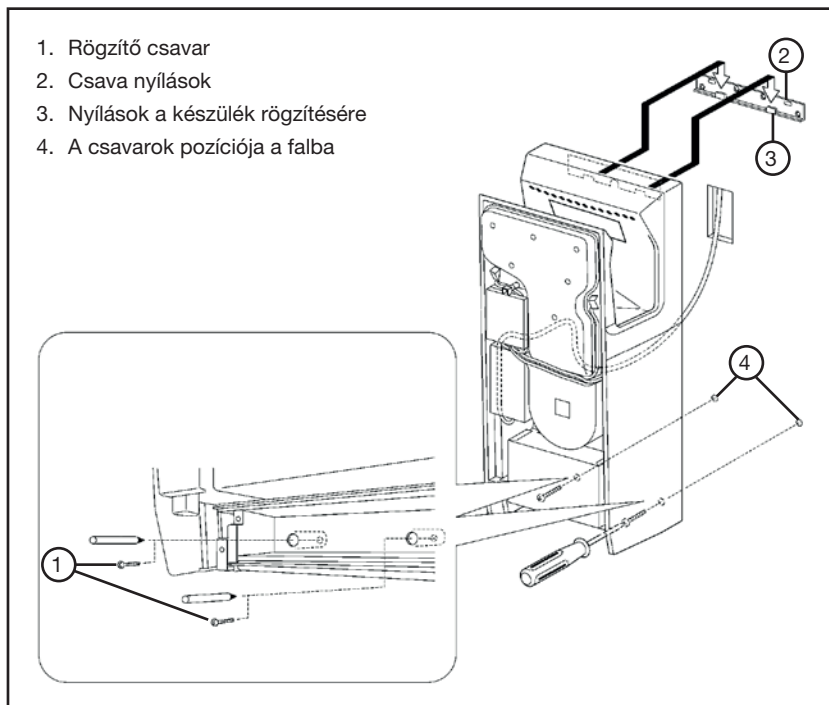
- Olyan helyen, ahol a készülék közvetlen érintkezésbe kerülhet vízzel.
- Azokon a helyeken, ahol a készülék ki van téve a közvetlen napfénynek.
- A helyeken, ahol sok nedvesség van.
- Azokon a helyeken, ahol maró, semleges vagy redukív gázok vannak.
- Helyeken, amelyek kevesebb, mint -20 m, és több mint 2000 m magasságban.

Telepítés helyei:

- Telepítse a készüléket olyan helyre, ahol azt könnyű lesz használni, ahogy az ábrán látható. Ha a berendezést túl alacsonyan helyezi el, akkor vizet kaphat a készülék, ha a padlót mossa például. (A készülék aljának legalább 150 mm magasan kell lennie a talajtól).
- A bal oldalon a készülék legalább 150 mm-re kell legyen a faltól, mert a bal oldalon található a bekapcsoló gombot.
- Ügyeljen arra, hogy jobb oldalon a készüléknél nincs tükör, vagy fal, mert a szárítás közben vízcseppek érhetik a készüléket. (Az ajánlott távolság kisebb, mint 100 mm).
- Ne telepítse olyan helyen, ahol a készülék ütközhet az embereknek vagy az ajtónak.
- Válassza ki a teljesen sima felület a falon.

Az alap telepítése

- Ha a hely a falon, ahova telepíteni kívánja az eszközt, nem elég jó, és a falfelület nem elég sima, akkor segíthet a telepítő bázissal.



A telepítés menete

A készülék összekötése vagy sorkapocs segítségével vagy kábellel az ajzatba történhet.

Használjon tápkábelt vastag $1,5 \text{ mm}^2 - 2 \text{ mm}^2$ (egyeres kábel vastagabb, mint $1,5 \text{ mm}^2 - 2 \text{ mm}^2$ nem lehet használni).

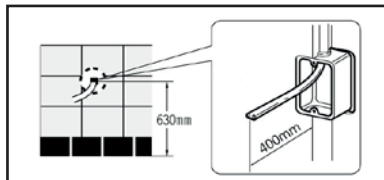
(Javasoljuk hogy a kábel ne legyen hosszabb, mint 11 m, a hosszabb kábel okozhat áramkimaradásokat).

Kérjük, a telepítés előtt a terméket a sorkapoccsal való csatlakozása előtt vegye le az elektromos vezetékről (kábel az aljzatban).

1 Eszköz csatlakoztatása.

Helyezze be a kapcsolótáblát a telepítés helyére, és fektesse a távvezetékeket (a kombináció a zöld és a sárga vezeték a földelés).

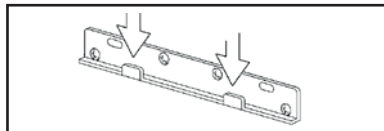
- Ha nem használja a kapcsoló táblát, a tápkábel ki lesz nyomva, és megakadályozza, hogy a készülék szorosan csatlakódjon a falra.



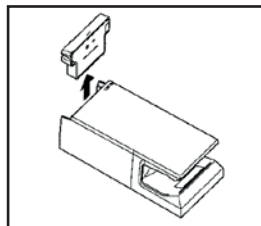
2 Csatlakoztassa a telepítő panelt 6 csavarral.

Ha a fal rögzített, beton, használja a megfelelő fém csavarokat.

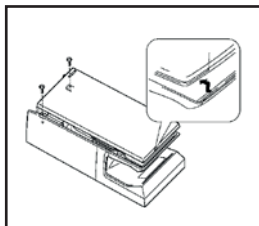
Ha a fal nem tömör, telepítés előtt meg kell erősíteni.



3 Vegye ki a leeresztő tartályt.

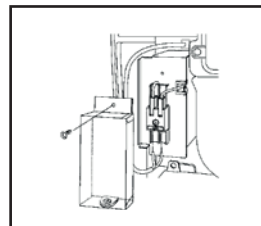


Távolítsa el az előlapot.



- Távolítsa el a két csavart.
- Távolítsa el az előlapot a rögzítő furatokból.

Vegye ki a csatlakozó fedelét.

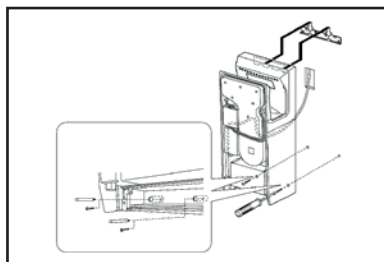


- Vegye ki a csavarokat a csatlakozó sorkapocsból, és húzza maga felé.

4 Vegye ki a külön tápkábelt a készülékből, és rögzítse.

Csatlakoztassa a tápkábelt a készülék alatt, csatlakoztassa az alján a fali lemez a 3 horgos és nyomja a készüléket a falhoz, és húzza meg a csavarokat.

A csavar nem fog menni megfelelően behúzni, ha a horgok nincsenek az alsó fali lemezen a helyén. Ellenőrizze, hogy a horgok teljesen a berendezés alján találhatóak-e



Megjegyzés:

Ellenőrizze, hogy a készülék be van függesztve a fali lemezhez és a felszerelt biztonsági csavarokat, különben a gép leeshet vagy könnyű préda lehet a rablóknak.

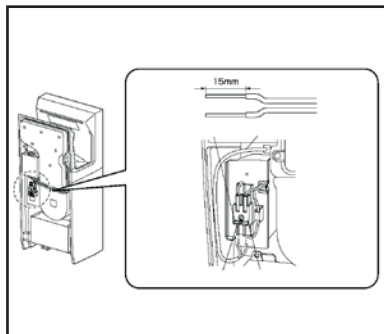
5 Csatlakoztassa a sorkapcsot (nincs polaritás).
Válassza szét a drótokat ahogy a kép jobb oldalán látható.

Lazítsa ki a csavarokat a sorkapocsban és csatlakoztassa a csatlakozó kábelt.

A védő vezető csatlakozása előtt távolítsa el a tömitést amely a sorkapocshoz van helyezve.

Húzza be a csavarokat a sorkapocsban és húzza meg a kábelt úgy, hogy meggyőződjön róla, hogy erősen rögzítve van.

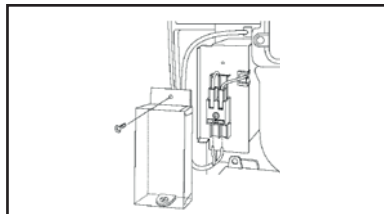
Klipek segítségével kösse a kábelt a sorkapocs jobb oldaláról, és rögzítse azt.



6 Erősítse fel a sorkapocs fedelét.
Helyezze fel a sorkapcsot úgy, hogy igazodjon a lyukakba, majd rögzítse azt.

győződjön meg róla, hogy a csatlakoztató kábel és a drótok nincsenek nyomódva.

Az elülső panel nem kerülhet felhelyezésre, ha a fedélből bármilyen drót kilóg. A drótokat igazítsa a fedél jobb oldalára.



7 Rögzítse az elülső panelt.

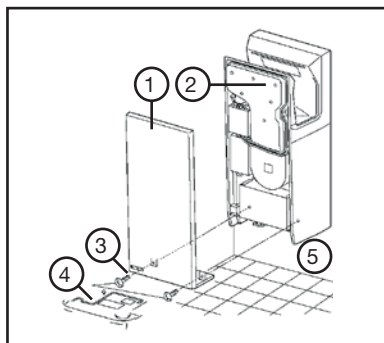
Helyezze be az elülső panelt.

Rögzítse két csavarral.

Erősítse fel a víztartályt

Győződjön meg róla, hogy a légszűrő teljesen bent van-e.

1. Elülső panel
2. Berendezés
3. Instalációs csavarok
4. Víztartály
5. Légszűrő



Próba működtetés

	Front panel – elülső panel	Kontrola
1	Ellenőrizze a feszültséget	Váltakozó áramot AC 220-240 V 50/60 Hz használ?
2	Kapcsolja be a földelő megszakítót	
3	Kapcsolja be a főkapcsolót	Világít a teljesítmény lámpa?
4	Szárítsa meg a kezeit	Fúj levegőt?
5	Ellenőrizze a berendezést	Az egység mereven fel van szerelve? Nem lehet hallani a furcsa zajt vagy rezgést?

Ne kapcsolja ki a főkapcsolót, ha a készülék belsejében vannak a kezei.

Ha világít, vagy villog, kapcsolja ki a főkapcsolót, majd kapcsolja be újra, amíg a jelző fények abba nem hagynak világítani vagy villogni (kb 40 másodperc).

Műszaki adatok:



Feszültség	AC 220-240 V
Frekvencia	50/60 Hz
Teljesítmény	1000 – 1300 W
Légáramlás gyorsasága	95 – 100 m/s
Fűtés sebessége	550 W
Motor	Kefe nélküli DC motor
Méretek	300x219x670 mm
Nettó súly	9,5 kg

A magyar használati utasítás a gyártótól kapott verzió pontos fordítása.

A kézikönyvben használt fényképek csak illusztrációk, nem egyeznek meg pontosan a termékkel.

Dziękujemy za zakup naszego produktu.

Przed użyciem prosimy starannie przeczytać tę instrukcję.

Radzimy, aby nie podejmować prób instalowania niniejszego urządzenia we własnym zakresie, jeżeli osoba dokonująca instalacji nie jest doświadczonym technikiem. W przeciwnym razie może dojść do zmniejszenia poziomu zabezpieczenia i nieprawidłowego działania urządzenia.

Prosimy o zachowanie instrukcji obsługi dla potrzeby późniejszego wykorzystania.

Zalety

Osuszanie rąk jest higieniczne, ponieważ osuszanie przebiega bezdotykowo.

Dzięki temu, że osuszanie rąk jest bardzo szybkie, koszty związane ze zużyciem energii elektrycznej są niższe.

Nie jest wytwarzany odpad, ponieważ nie używa się ręczników ani ręczników papierowych.

Brak zanieczyszczania, ze względu na zastosowanie materiałów antybakteryjnych i ekologicznych.

Ze względu na zainstalowanie wyłącznika termicznego, można uregulować temperaturę osuszania, aby ręce były osuszane powietrzem ciepłym lub zimnym:

- Jeżeli grzanie jest włączone na 1. stopień, oznacza to, że grzanie jest włączone, wydmuchiwane jest powietrze ciepłe, temperatura otoczenia nie wpływa na temperaturę grzania.
- Jeżeli grzanie jest włączone na 0. stopień – grzanie pracuje w trybie automatycznym:
 - » Jeżeli temperatura otoczenia jest poniżej 20 °C grzanie jest włączone i wydmuchiwane jest powietrze ciepłe.
 - » Jeżeli temperatura otoczenia jest powyżej 20°C, grzanie nie jest włączone a ręce są osuszane powietrzem zimnym.

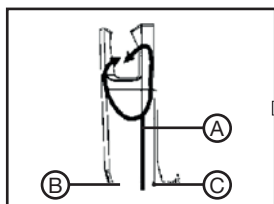
Regulator czasu zapobiegający uszkodzeniu

Zainstalowany regulator czasu zabezpiecza, aby urządzenie wyłączyło się każdorazowo po upływie 25 sekund. Wyjąć ręce spod urządzenia i ponownie umieścić je w urządzeniu, urządzenie wznowi pracę.

Brak konieczności stosowania węża dla doprowadzenia powietrza.

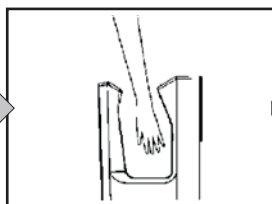
Górne i dolne dysze powietrza.

Kształty ergonomiczne dla wygodnego użytkowania.



Oddzielne doprowadzenie powietrza.

Do wnętrza urządzenia nie zacieka woda.



Zapobiegają wytryskiwaniu wody na zewnątrz z obudowy urządzenia.



Łatwe użytkowanie.

- A. Strumień powietrza
- B. Zbiorniczek odpływowy
- C. Doprowadzenie powietrza

Ostrzeżenie

Jeżeli urządzenie nie będzie prawidłowo użytkowane, może dojść do wypadku.

- Nie zdejmować obudowy czołowej, może nastąpić porażenie prądem elektrycznym.
- Dzieci nie mogą obciążać urządzenia wieszając się na nim, urządzenie może spaść.
- Nie użytkować urządzenia w środowisku wilgotnym, np. w pobliżu łazienki, gdzie może dojść do bezpośredniego kontaktu z wodą i w miejscach, w których występuje zaparowanie, może spowodować to porażenie prądem elektrycznym lub spowodować zwarcie w urządzeniu.
- Uważać, aby urządzenie nie było mokre, może spowodować to porażenie prądem elektrycznym.
- Nie należy dokonywać zmian w budowie urządzenia, ani nie rozbierać urządzenia, jeżeli nie jest to konieczne, może stać się to przyczyną pożaru, porażenia prądem elektrycznym lub wypadku.
- Jeżeli tolerancja napięcia różni się o +/-10% może dojść do uszkodzenia urządzenia. Jeżeli użyte zostanie niewłaściwe zasilanie może spowodować to pożar, porażenie prądem elektrycznym lub uszkodzenie urządzenia.
- Należy używać tylko oddzielnego gniazda wtykowego. Jeżeli urządzenie będzie użytkowane z innymi urządzeniami gniazdo wtykowe może przegrzewać się, co może być przyczyną pożaru.
- Aby zapobiec porażeniu prądem elektrycznym przy konserwacji urządzenia, należy odłączyć zasilanie.
- Musi być zainstalowany zbiorniczek i filtr powietrza. Po podłączeniu zasilania urządzenie należy włączyć dopiero po upływie 10 sekund.
- Jeżeli urządzenie nie pracuje, należy odłączyć zasilanie i wyłączyć bezpiecznik, aby zapobiec wypadkowi i zapewnić przegląd lub naprawę urządzenia, w przeciwnym przypadku może stać się to powodem powstania pożaru na skutek zwarcia.
- Urządzenie musi być w sposób właściwy uziemione, w przeciwnym wypadku może dojść do porażenia prądem elektrycznym.
- Ostrzeżenie przy instalowaniu: nie instalować urządzenia, jeżeli jest podłączone zasilanie.
- Instalacji musi dokonać odpowiednio wykwalifikowany pracownik lub pracownik, który został przeszkolony i przeegzaminowany z zakresu przepisów i norm dotyczących urządzeń elektrycznych (paragraf 50). Jeżeli montaż wyrobu nie zostanie przeprowadzony właściwie, może stać się przyczyną porażenia prądem elektrycznym i pożaru.
- Z urządzenia tego nie mogą korzystać osoby (włącznie z dziećmi) z zaburzeniami psychicznymi, sensorycznymi lub umysłowymi lub nie posiadające wystarczającego doświadczenia i umiejętności, jeżeli nie znajdują się pod bezpośrednim nadzorem w trakcie korzystania z urządzenia lub nie zostali odpowiednio poinstruowani w związku z bezpieczną obsługą urządzenia, aby uniknąć wypadków.
- Jeżeli jest uszkodzony przewód zasilający, musi zostać wymieniony przez producenta, pracownika serwisu lub osobę posiadającą właściwe uprawnienia, aby zapobiec wypadkom.

Zawartość opakowania

Urządzenie 1szt.

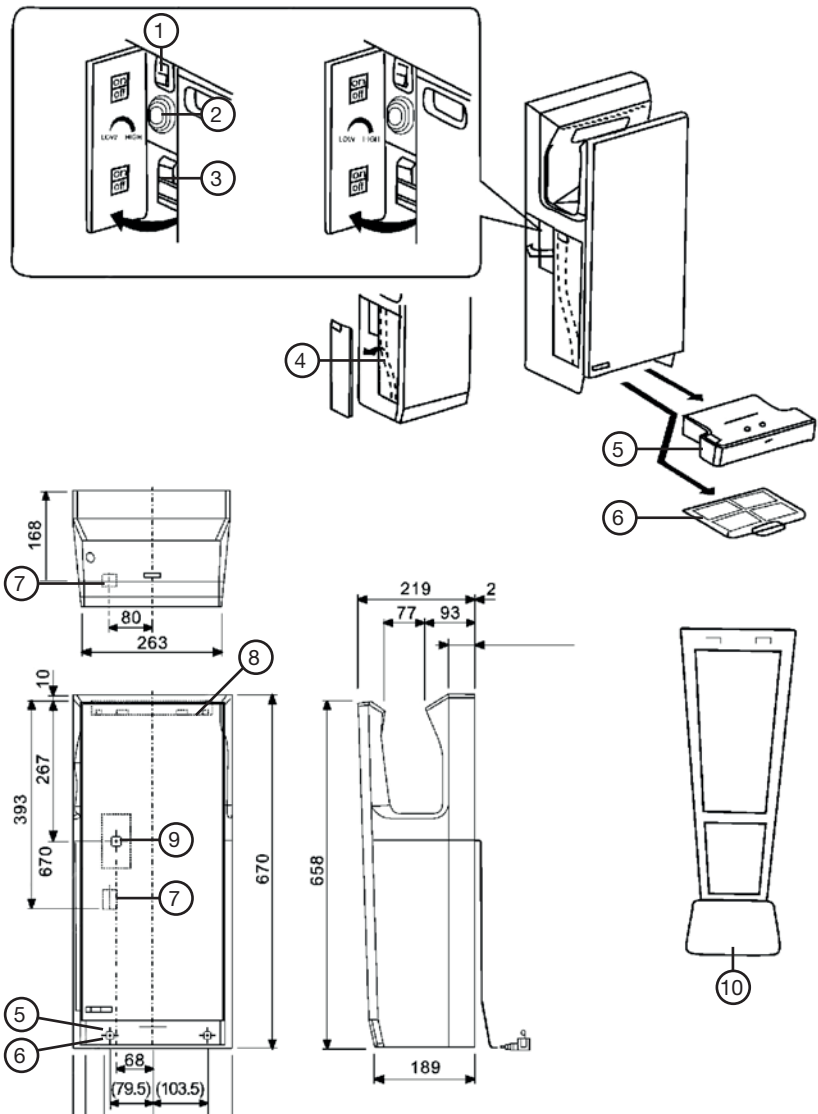
Płyta montażowa 1 szt.

5 mm kołki rozporowe 6 szt.

5x30 mm wkręty 6 szt.

Instrukcja obsługi 1 szt.

Wymiary i nazwy części



1. Włączanie grzania

2. Prędkość obrotów

3. Wyłącznik

4. Kanał odpływowy

5. Zbiorniczek na wodę

6. Filtr

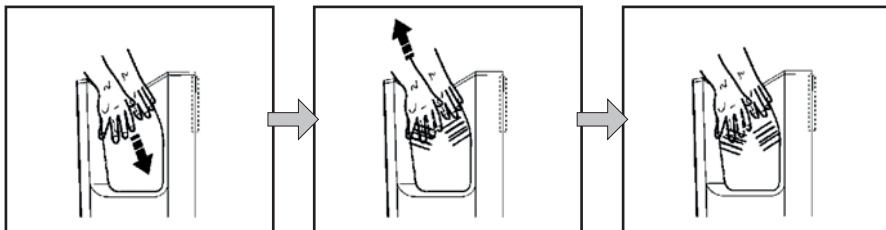
7. Umieszczenie listwy zaciskowej

8. Płyta instalacyjna

9. Przewód zasilania (tylny)

10. Podstawa instalacyjna

Użytkowanie urządzenia



Wyciągnąć obie ręce i włożyć je do wnętrza urządzenia. Urządzenie uruchomi się automatycznie.

Wolno wyciągać ręce, pozwolić dmuchawie osuszać ręce.

Wyciągnąć ręce na zewnątrz.

Wskaźnik kontrolny

Jeżeli wystąpi usterka lub błąd, wskaźnik kontrolny znajdujący się po prawej stronie zaświeci się lub będzie migać.

Wyłączyć wyłącznik główny, odczekać około 40 sekund, do chwili aż wskaźnik nie wyłączy się, następnie włączyć wyłącznik główny.

Jeżeli wskaźnik ciągle świeci lub miga, odłączyć urządzenie od zasilania i skontaktować się z serwisem lub właściwym konserwatorem.

Przy użytkowaniu urządzenia

Włączyć wyłącznik główny.

Wskaźnik mocy świeci.

UV lampa świeci.

Oslona zasilania jest zamknięta.

Czyszczenie pokrywy urządzenia

Urządzenie należy myć używając miękkiej ściereki. Jeżeli urządzenie jest bardzo brudne, należy myć je mokrą ściereką zamoczoną w neutralnym środku do czyszczenia, następnie zmyć miękką czystą ściereką.

Usuwać zanieczyszczenia z sensora (aby zapobiec uszkodzeniu).

Uwaga

Używać tylko neutralnego środka do czyszczenia.

Nie używać rozpuszczalnika, kwasowych lub alkalicznych środków do czyszczenia muszli ustępowych lub szczotki z włókna nylonowego. (Może to spowodować uszkodzenie gładkiej powierzchni urządzenia).

Alkohol stosować tylko do czyszczenia miejsca, gdzie osusza się ręce. (Nie używać alkoholu do czyszczenia innych miejsc).

Jeżeli używane są tkaniny syntetyczne, najpierw należy zapoznać się z ich instrukcją użycia.

Środek do dezynfekcji może zniszczyć urządzenie.

Ostrzeżenie

Przed przystąpieniem do czyszczenia należy wyłączyć wyłącznik główny.

Nie chlapać wodą na urządzenie.

Uwaga

Do czyszczenia zakładać rękawice.

Ochrona antybakteryjna jest nieskuteczna, jeżeli osłony z tworzywa sztucznego są brudne.

Osuszanie i czyszczenie zbiorniczka na wodę

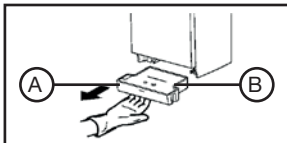
Przed zapełnieniem (co najmniej jeden raz w tygodniu).

- Woda, która zostaje zdmuchnięta z rąk nazywa się „woda ściekająca”.
- Nie dopuszczać, aby woda zgromadziła się w zbiorniczku do poziomu maksimum.
- Jeżeli woda pozostawiona jest w zbiorniczku zbyt długo, zaczyna brzydko pachnieć.

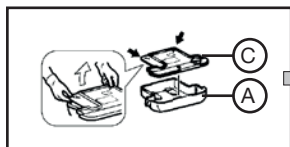
Wyciągnąć zbiorniczek poziomo na zewnątrz.

Poziome prowadzenie zbiorniczka zapobiega rozlewaniu się wody.

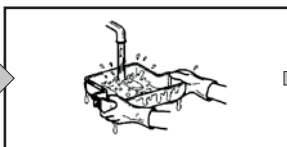
- A. Część dolna zbiorniczka
- B. Zbiorniczek
- C. Pokrywa



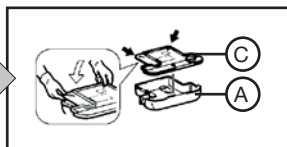
Otworzyć pokrywę i opróżnić zbiorniczek.



Palcami pociągnąć pokrywę zgodnie ze strzałką, która umieszczona jest wierzchu pokrywy a następnie pokrywę zdjąć.



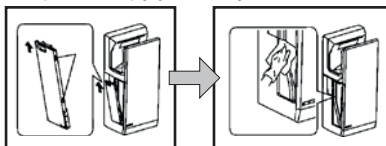
Umyć wnętrze zbiorniczka na wodę.



Zamknąć pokrywę zbiorniczka na wodę i zainstalować go w urządzeniu.

Otworzyć boczną osłonę, otrzeć ścierką.

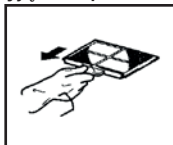
Regularne czyszczenie kanałów odprowadzających wodę może skutecznie zapobiec rozwojowi bakterii.



Czyszczenie filtra powietrza

około raz na tydzień.

Wyjąć filtr powietrza.



Filtr powietrza wyjąć na zewnątrz.

Wyczyścić filtr powietrza.



Filtr wyczyścić rękoma lub użyć odkurzacza.

Jeżeli filtr jest bardzo brudny, należy umyć go w wodzie zimnej lub ciepłej.

Filtr zainstalować na powrót w urządzeniu.

Włożyć filtr do wnętrza. Jeżeli filtr nie zostanie prawidłowo zamontowany, do wnętrza urządzenia będzie przedostawał się brud i pył, co skraca żywotność urządzenia.

Uwaga:

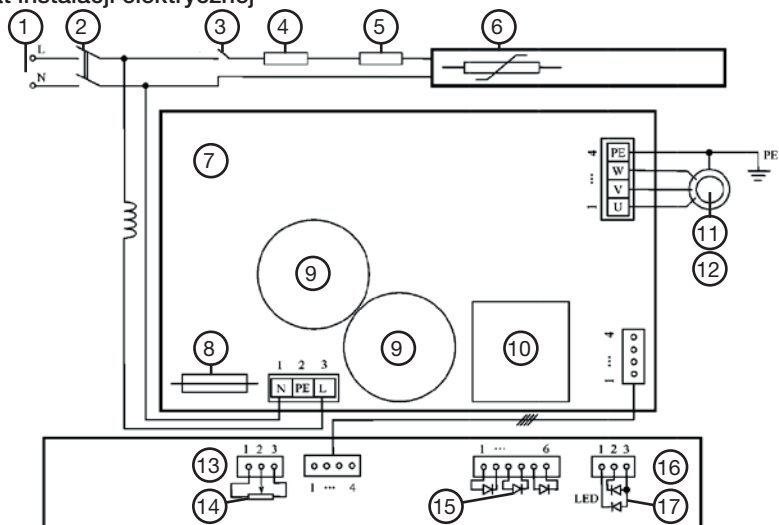
Jeżeli filtr czyszczony jest z użyciem wody, należy go dokładnie osuszyć. Nie narażać filtra na działanie płomienia.

Rozwiązywanie problemów

Jeżeli wystąpią poniższe problemy, należy postępować zgodnie z poniższymi instrukcjami:

Problem	Kontrola	Działanie
Po włożeniu rąk do urządzenia nie dmucha powietrze.	Czy świeci wskaźnik na wyświetlaczu? Czy jest włączony wyłącznik główny? Czy wkładane są całe dłonie do urządzenia?	Sprawdzić zabezpieczenie. Włączyć wyłącznik główny. Ponownie włożyć dłonie do urządzenia.
Urządzenie pracuje jeszcze długo po wyjęciu rąk z urządzenia.	Czy na czujniku nie znajduje się obcy obiekt lub brud?	Wyłączyć wyłącznik główny i usunąć zanieczyszczenia lub przedmiot obcy z czujnika, następnie ponownie włączyć wyłącznik główny.
Nie dmucha powietrze ciepłe.	W urządzeniu zainstalowana jest grzałka. Czy czujnik grzałki nie jest zanieczyszczony? Działa bezpiecznik wewnątrz listwy zaciskowej?	Czy temperatura otoczenia przekracza 20°C? Odłączyć urządzenie od zasilania, zdjąć obudowę przodu. Wewnątrz znajduje się listwa zaciskowa. Zdjąć osłonę listwy zaciskowej. Sprawdzić, czy działa bezpiecznik wewnątrz listwy zaciskowej.
Słabe natężenie wydmuchiwanego powietrza.	Czy pokrętło regulacji prędkości jest na najniższym poziomie?	Zwiększyć poziom prędkości wydmuchu na pokrętło regulacji prędkości.
Jeżeli problem nie zostanie usunięty po wykonaniu powyższych napraw, należy urządzenie wyłączyć z zasilania i odłączyć od uziemienia oraz wezwać technika serwisu, w celu sprawdzenia lub wykonania naprawy (jeżeli to konieczne) urządzenia.		

Schemat instalacji elektrycznej



- | | |
|-------------------------------------|-----------------------------------------------|
| 1. Napięcie | 10. transformator |
| 2. wyłącznik główny | 11. silnik BLDC bezczujnikowy |
| 3. wyłącznik grzania | 12. silnik bezczujnikowy, bezszczotkowy |
| 4. bezpiecznik | 13. podczerwony odbiornik silnika sterującego |
| 5. bezpiecznik termiczny | 14. potencjometr regulacji prędkości |
| 6. termostat elektryczny | 15. nadawanie w podczerwieni |
| 7. obwód sterowania suszarki do rąk | 16. instrukcja użytkownika |
| 8. osłona bezpiecznika | 17. wskaźnik zasilania |
| 9. kondensator | |

	Status		Status		Rozwiązanie
Kontrolka zasilania	Świeci	Pobór normalny	Nie świeci	Brak napięcia.	Sprawdź źródło zasilania, wyłącz wyłącznik główny.
				Uszkodzony bezpiecznik.	
Stan kontrolki	Nie świeci	Nie pracuje	Miga	Błąd silnika.	Sprawdź połączenie silnika oraz czy w silniku nie znajdują się przedmioty obce.
	Świeci ciągle	Pracuje		Czy czas pracy nie przekracza 25s?	Oczyść miejsce pracy i ponownie uruchom urządzenie.

Działania przed przystąpieniem do instalowania

Nie należy instalować urządzenia w następujących miejscach, może spowodować to uszkodzenie urządzenia:

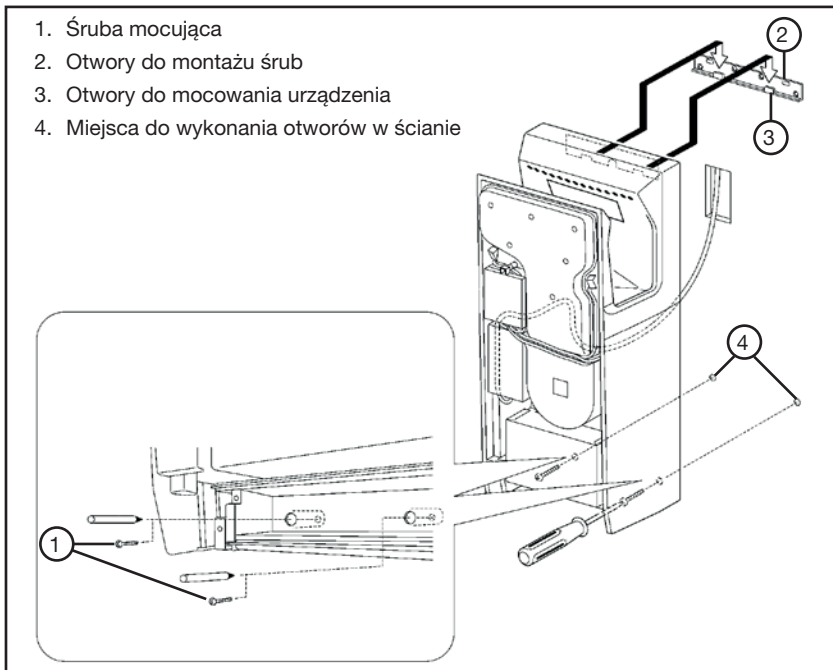
- W miejscu, gdzie temperatura przekracza -10°C lub 40°C .
- W miejscu, gdzie urządzenie może mieć bezpośredni kontakt z wodą.
- W miejscu, gdzie urządzenie narażone jest na bezpośrednie działanie promieni słonecznych.
- W miejscu bardzo wilgotnym.
- W miejscu, gdzie występują gazy powodujące korozję, gazy neutralne lub gazy redukcyjne.
- W miejscu, które znajduje się poniżej -20 m lub powyżej 2000 m nad poziomem morza.

Miejsce instalowania:

- Urządzenie instalować w miejscu umożliwiającym łatwy dostęp, jak przedstawiono na ilustracji. Jeżeli urządzenie zostanie zainstalowane zbyt nisko, do urządzenia może przedostać się woda, np. przy myciu posadzki. (Spód urządzenia powinien znajdować się co najmniej 150 mm od podłoża i innych obiektów znajdujących się pod urządzeniem).
- Lewy bok urządzenia musi znajdować się minimum 150 mm od ściany, ponieważ wyłącznik główny jest zainstalowany na lewym boku urządzenia.
- Upewnić się, że bok prawy urządzenia nie znajduje się zbyt blisko luster lub ścian, ponieważ podczas osuszania dłoni może przyskać woda. (Zalecana odległość to minimum 100 mm).
- Nie instalować w miejscu, gdzie w urządzenie mogą uderzać drzwi lub ludzie.

Instalacja podstawy

- Jeżeli miejsce na ścianie, gdzie ma zostać zainstalowane urządzenie, nie jest właściwe a powierzchnia ściany nie jest wystarczająco równa, można przy instalacji wykorzystać podstawę instalacyjną.



Proces instalowania

Podłączenie urządzenia możliwe jest poprzez podłączenie przewodów obwodu instalacyjnego do listwy zaciskowej lub przy wykorzystaniu przewodu z wtyczką.

Użyć przewód zasilający o przekroju $1,5 \text{ mm}^2 - 2 \text{ mm}^2$ (przewody jednożyłowe o przekroju większym niż $1,5 \text{ mm}^2 - 2 \text{ mm}^2$ nie mogą być użyte).

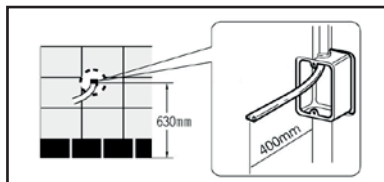
(Zalecamy użycie przewodu o długości poniżej 11 m, przewód dłuższy mógłby spowodować przerwy w dostawie energii elektrycznej).

Przed podłączeniem produktu do listwy zaciskowej należy wymontować z niej przewód zakończony wtyczką.

1 Podłączenie urządzenia.

Umieścić przełącznik wieloobrotowy w miejscu instalacji i ułożyć instalację przewodową (kombinacja przewodu zielonego i żółtego to uziemienie).

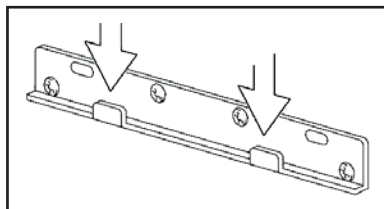
- Umieścić przełącznik wieloobrotowy w miejscu instalacji i ułożyć instalację przewodową (kombinacja przewodu zielonego i żółtego to uziemienie).



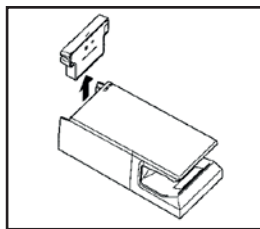
2 Do ściany przymocować płytę instalacyjną używając 6 śrub.

Jeżeli ściana ma właściwe cechy wytrzymałościowe, jest wykonana np. z betonu, użyć właściwych śrub metalowych.

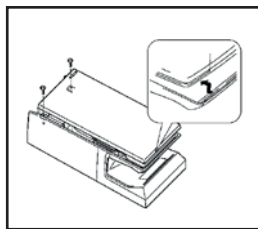
Jeżeli ściana nie ma właściwych cech wytrzymałościowych, nie jest np. wykonana z betonu, przed instalowaniem należy ją wzmocnić.



3 Wyjąć zbiorniczek ściękowy.

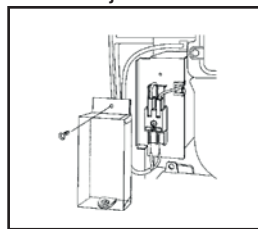


Zdjąć płytę przednią.



- Usunąć 2 śruby.
- Zdjąć płytę przednią z otworów mocowania.

Zdjąć osłonę listwy zaciskowej.

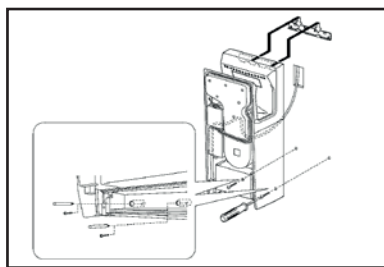


- Usunąć śruby z listwy zaciskowej i zdjąć osłonę ciągnąc w kierunku do siebie.

4 Wyciągnąć oddzielny przewód zasilający do wnętrza urządzenia i zamocować go.

Przełożyć przewód zasilający przez otwór dla przewodu zasilającego znajdujący się w spodzie urządzenia, część dolną przymocować do płyty instalacyjnej na 3 haczykach a urządzenie docisnąć do ściany i dokręcić śruby.

Śrub instalacyjnych nie będzie można prawidłowo dokręcić, jeżeli haczyki z dołu płyty instalacyjnej nie będą na właściwym miejscu. Upewnić się, że



na haczykach jest prawidłowo zawieszony spód urządzenia.

Uwaga:

Upewnić się, że urządzenie jest zawieszona na płycie instalacyjnej i zamocowane śrubami zabezpieczającymi, w przeciwnym wypadku urządzenie może spaść lub stać się łatwym łupem dla złodzieja.

5 Eksploatacja próbna

Podłączyć listwę zaciskową (nie występuje w niej biegunowość).

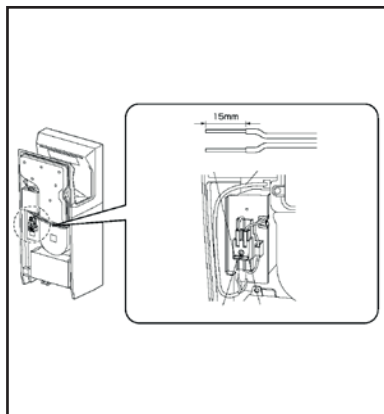
Rozłączyć przewody w sposób pokazany na ilustracji po stronie prawej.

Poluzować śruby w listwie zaciskowej i podłączyć przewód zasilający.

Przed podłączeniem przewodu ochronnego usunąć uszczelnienie zabezpieczające dołączone do listwy zaciskowej.

Dokręcić śruby w listwie zaciskowej i pociągnąć za przewód zasilający, w celu upewnienia się, że jest prawidłowo zabezpieczony.

Używając opaski związać przewód zasilający do prawego boku listwy zaciskowej i przymocować go.

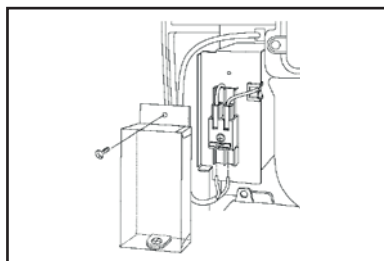


6 Przymocować osłonę listwy zaciskowej.

Osłonę listwy zaciskowej umieścić we właściwym miejscu w taki sposób, aby otwór pokrywał się z otworem i wkręcić śruby.

Upewnić się, czy przewód zasilający i inne przewody nie zostały przyciśnięte.

Płyta czołowa nie może zostać przymocowana, jeżeli z osłony listwy zaciskowej wystają przewody. Przewody wsunąć lub przesunąć je na prawą stronę osłony listwy zaciskowej.



7 Przymocować płytę czołową.

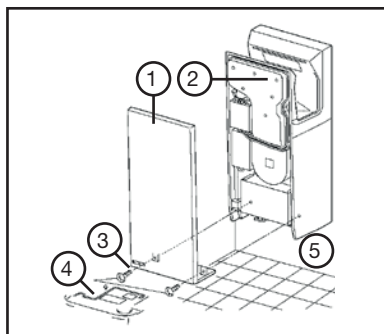
Ustawić płytę czołową.

Przymocować ją używając 2 śrub.

Przymocować zbiorniczek na wodę.

Upewnić się, czy filtr powietrza w całości znajduje się we wnętrzu.

1. Panel czołowy
2. Urządzenie
3. Wkręty instalacyjne
4. Zbiorniczek na wodę
5. Filtr powietrza.



Eksploatacja próbna

Krok	Kontrola	
1	Sprawdzić napięcie urządzenia zasilającego	Czy jest użyty prąd zmienny AC 220-240 V 50/60 Hz?
2	Włączyć zabezpieczenie uziemiające	
3	Włączyć wyłącznik główny	Czy świeci wskaźnik mocy?
4	Osuszyć ręce	Czy wydmuchiwane jest powietrze? ?
5	Sprawdzić urządzenie	Czy jednostka jest prawidłowo zamontowana? Czy nie słychać drgań lub innych dźwięków ?

Nie włączać wyłącznika głównego urządzenia, jeżeli wewnątrz urządzenia znajdują się ręce.

Jeżeli świeci lub miga wskaźnik kontrolny, wyłączyć wyłącznik główny i ponownie go włączyć dopiero jak kontrolki przestaną świecić lub migać (po około 40 sekundach).

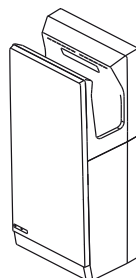
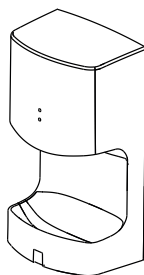
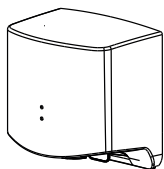
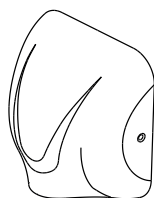
Informacje techniczne:



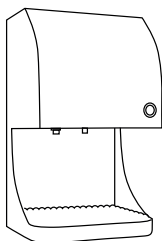
Napięcie	AC 220-240 V
Częstotliwość	50/60 Hz
Moc	1000 – 1300 W
Szybkość przepływu powietrza	95 – 100 m/s
Moc grzania	550 W
Silnik	Silnik DC bezszczotkowy
Wymiary	300x219x670 mm
Waga netto	9,5 kg

Polska wersja językowa instrukcji jest dokładnym tłumaczeniem oryginalnej instrukcji producenta. Zdjęcia wykorzystane w tym podręczniku są jedynie ilustracją i nie może dokładnie dopasować produkt.

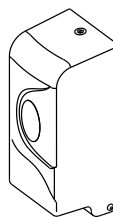
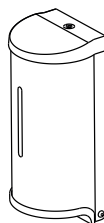
۲۱



Hand dryer



Automatic hand disinfection



Automatic soap dispenser

more products G21